



GIMA

PROFESSIONAL MEDICAL PRODUCTS

SUPPORTO MOBILE PER 23456

MOBILE STAND FOR 23456

MANUALE D'USO – USER MANUAL

REF **GIMA 23458**

Importato da/Imported by
Gima S.p.A.
Via Marconi, 1 - 20060 Gessate (MI) Italy
gima@gimaitaly.com - export@gimaitaly.com
www.gimaitaly.com
Made in China



INSTALLATION HARDWARE



X 1
The Pole



X 1
Tray



X5
Castors



X 1
The Base



X 1
Folding Rod

Spare Parts Box



X 6
Screws (M3*10)



X 6
Screw Shim



X 1
Screws(M6*10)



X 1
Screws (M8)



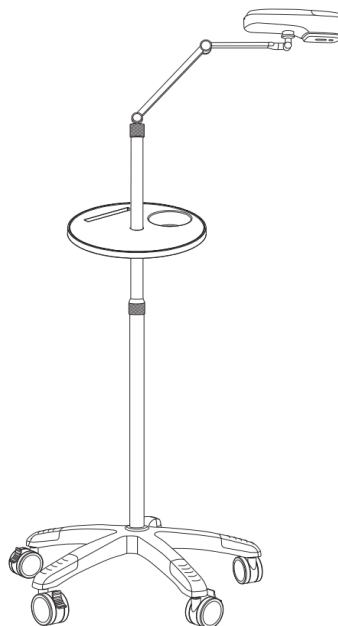
X 1
Holder



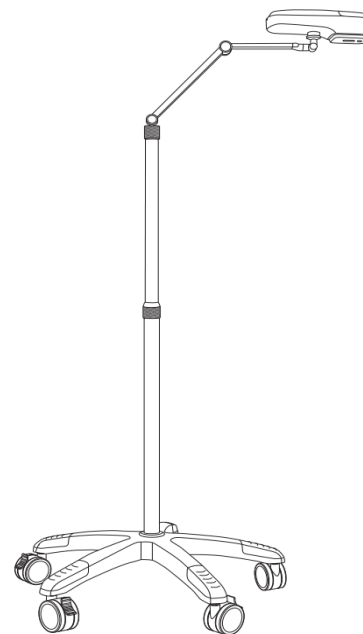
X 1
Tray Base



5mm 4mm 3mm
Hex Key



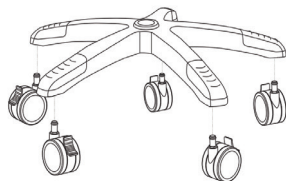
Type A



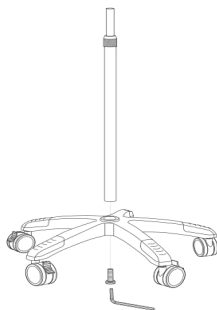
Type B



This product contains small parts , keep these away from children.

STEP 1: INSTALL STAND BASE / POLE

Insert five castors into the hole of base forcibly to make it stable.



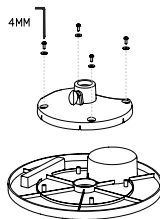
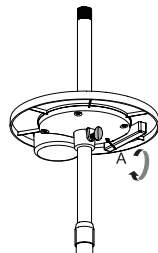
Insert the pole into the base and fasten the screw (M8) with wrench from the bottom of base.

Loose the knob, pull out inner pole at suitable height and then tighten knob, make sure knob is tightened.

**STEP 2: INSTALL TRAY**

This is the optional step according to customer's needs.
The tray can hold the tools of nurse for puncture.

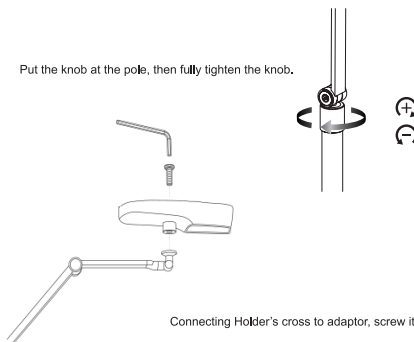
Connect tray base and tray with screw (M3*10) and screw shim.



Install the tray from the top of the pole, adjust it to the appropriate position, and tighten knob A.

STEP 3: INSTALL HOSE / HOLDER

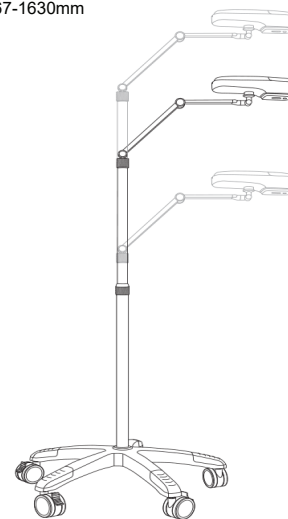
Put the knob at the pole, then fully tighten the knob.



Connecting Holder's cross to adaptor, screw it.

PRODUCT FUNCTION

Height: 667-1630mm

**TENSION ADJUSTMENT**

Adjust the tension of the equipment through wrench.

