

OPERATING INSTRUCTIONS DISPOSABLE ANOSCOPE REF.0601

Operating Instructions Disposable Anoscope

Read and follow the instructions for use and keep them for future reference.

Safety information

Scope: disposable anoscopes should only be used once. They should be connected to the Fiber Optic Tube Heads and used only for tests and treatments of the anal canal. For safe operation: use only power sources intended for use in the medical field. The tubes must be inserted only if provided with the relative spindle and when they have been fixed to the instrument head.

1. Preparation of the instrument

This is very simple, if you follow the following instructions.

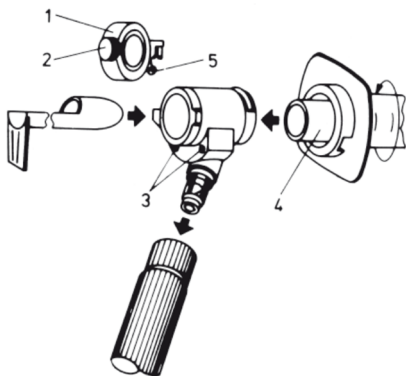
Unlock the locking screw (2) and open the window (1) which can be removed by pulling it out of the instrument head. Connect the Head to the handle of the light source. Push the end of the tube (4) into the head until it stops and lock it by turning it to the right. Insert the spindle.

Apply lubricant to the tip of the chuck and tube.

2. Indications on use during the visit

The window (1) with a flat glass can be opened or closed at any time. A slight screwing of the screw (2) is sufficient to close the instrument head hermetically. To work under magnification, attach the lens in one of the two holes (3) of the head.

Both are rotatable to allow you to open or close the window.



3. Sanitation

1 Head-instrument

Attention: the polished part and the surface of the optical fibers of the Instrument Head must be treated with great care to avoid damage that can lead to a reduction in light intensity.

1.1 Cleaning

Washing with a soft brush and soapy water or just water is recommended. If washing machines or chemical cleaners are used, the manufacturers' instructions regarding durability and concentration must be followed.

Ultrasonic cleaning is not allowed.

After cleaning, rinse with demineralized water and dry at a maximum of 65 °C.

1.2 Disinfection

Immersion in disinfectant solutions or a thermochemical solution up to 65 °C in an automatic disinfection machine is recommended. Strictly follow the manufacturers' instructions regarding concentration and duration. After disinfection, rinse with sterilized water and dry with sterile cloths.


1.3 Sterilization

Occasionally the autoclave can be used, taking into account that repeated autoclaving will reduce light transmission and optical fiber life. This is especially true in cases of rapid autoclaving.

Dry sterilization is not allowed.

4. Accessories

The window and the lens can be sterilized according to the normal methods. The double insufflation ball can be treated with a disinfectant.

 For single use only

