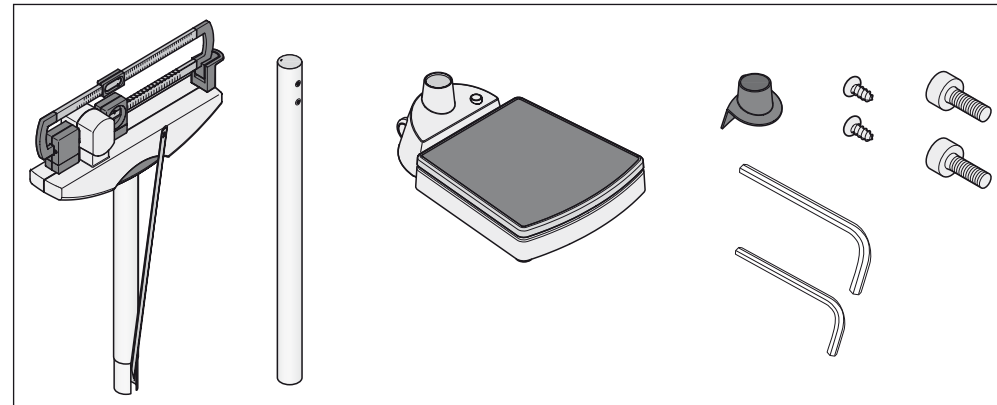
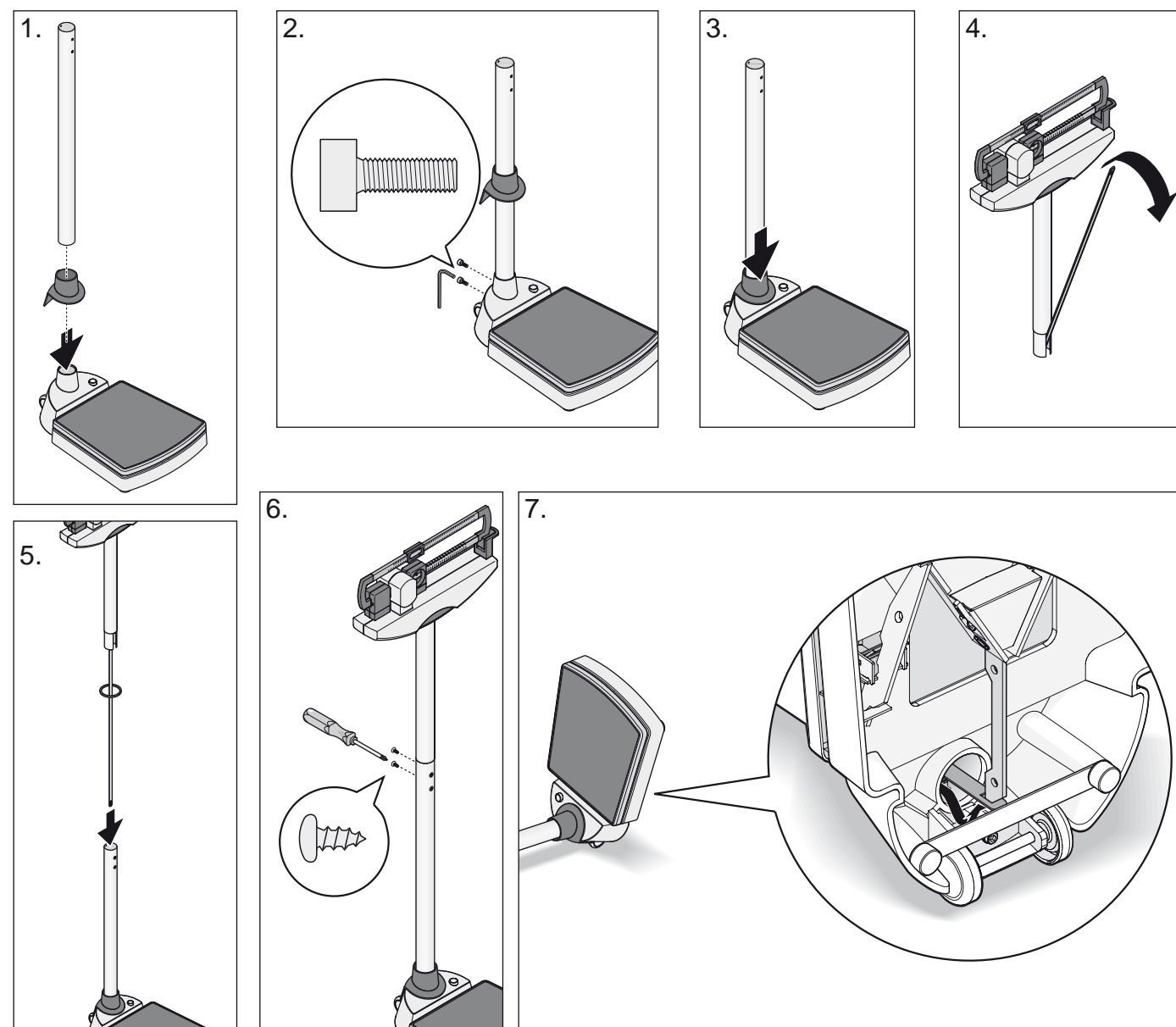


seca 700

Lieferumfang • Scope of supply • Configuration • Programma di consegna • Alcance del suministro • Leveringsomfang • Leveransomfatning • Inkludert i leveringene • Toimituksen sisältö • Omvang van de levering • Material fornecido • Περιεχόμενα παράδοσης



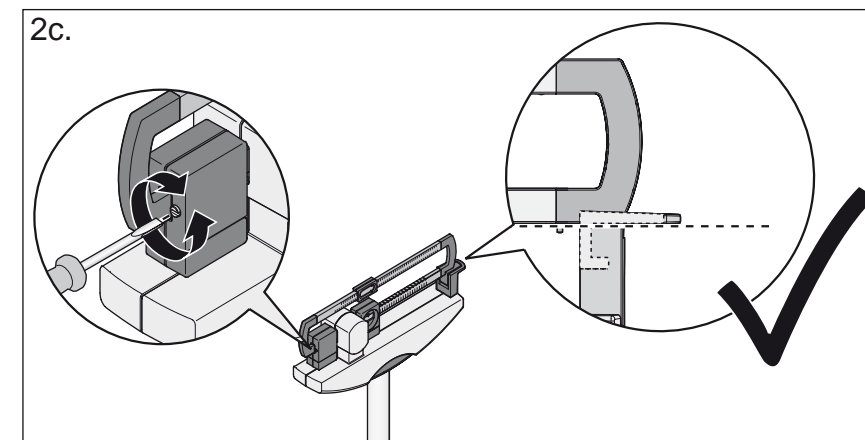
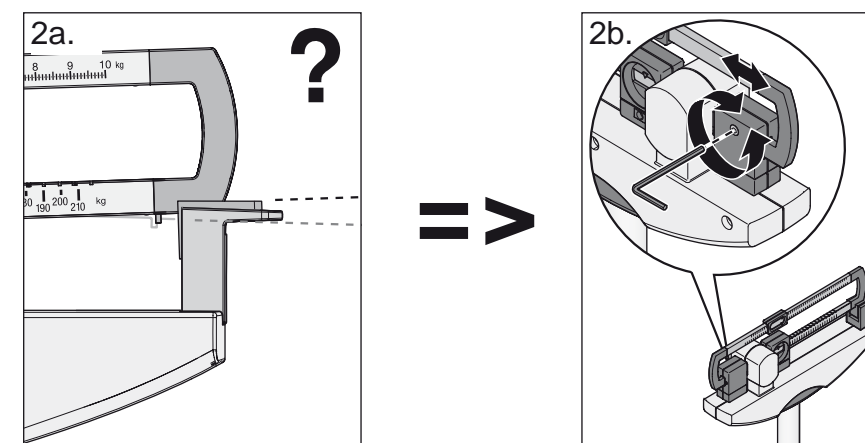
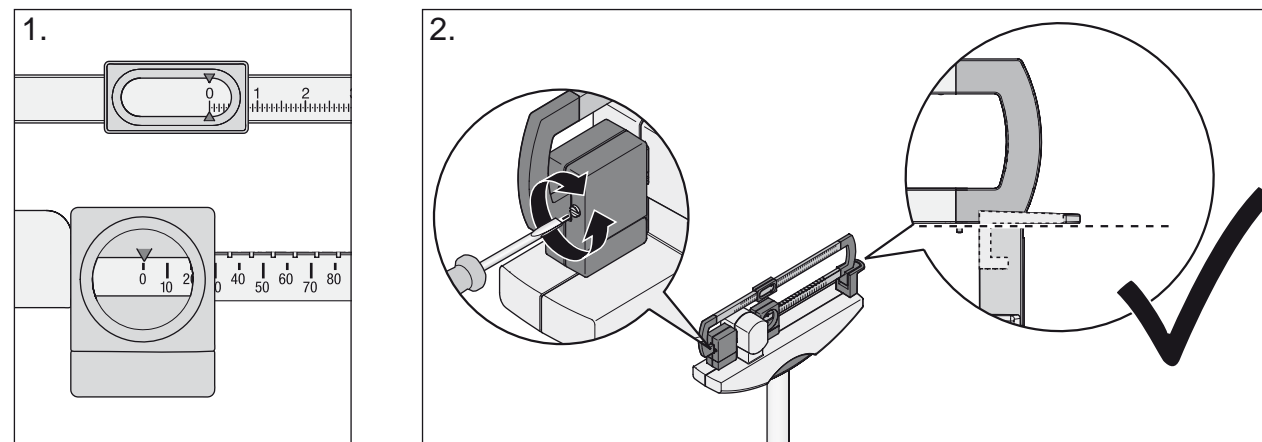
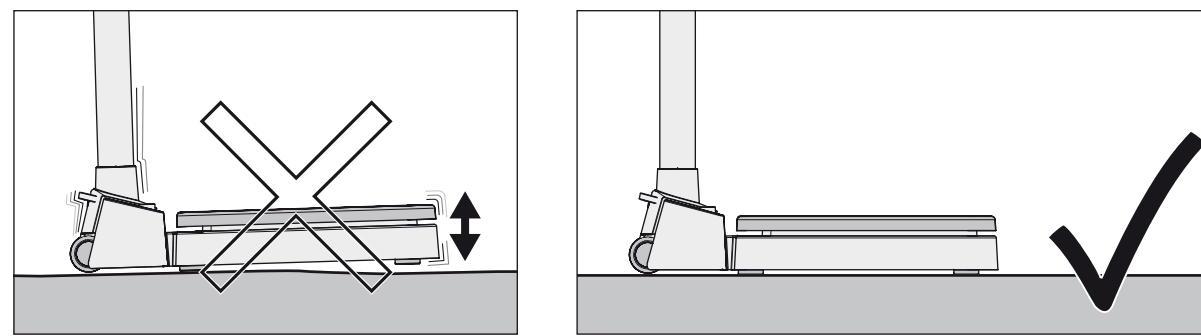
Montieren • Mounting • Monter • Montaggio • Montar • Montering • Monter • Asennus • Monteren • Montagem • Συναρμολόγηση



2

seca 700

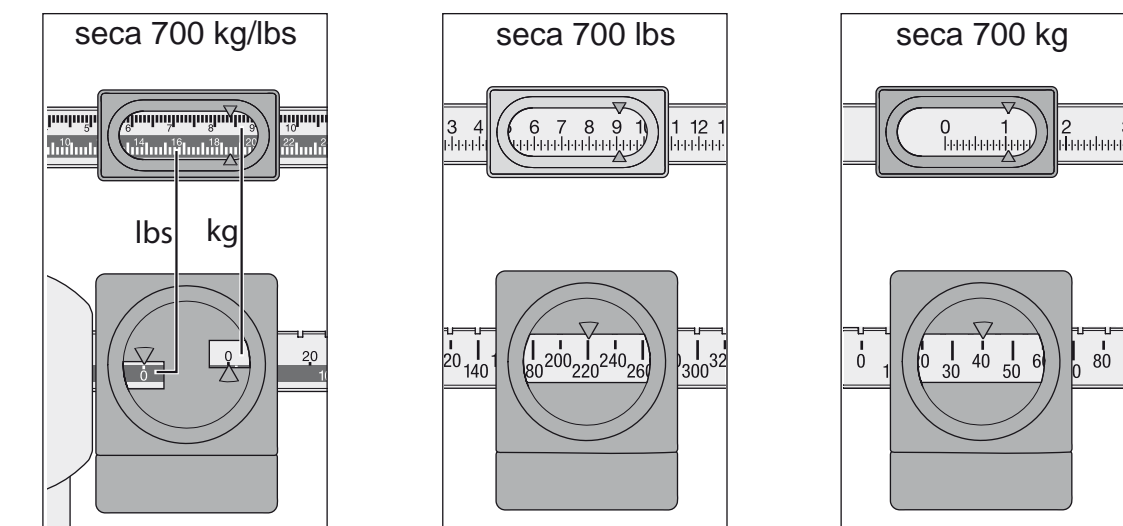
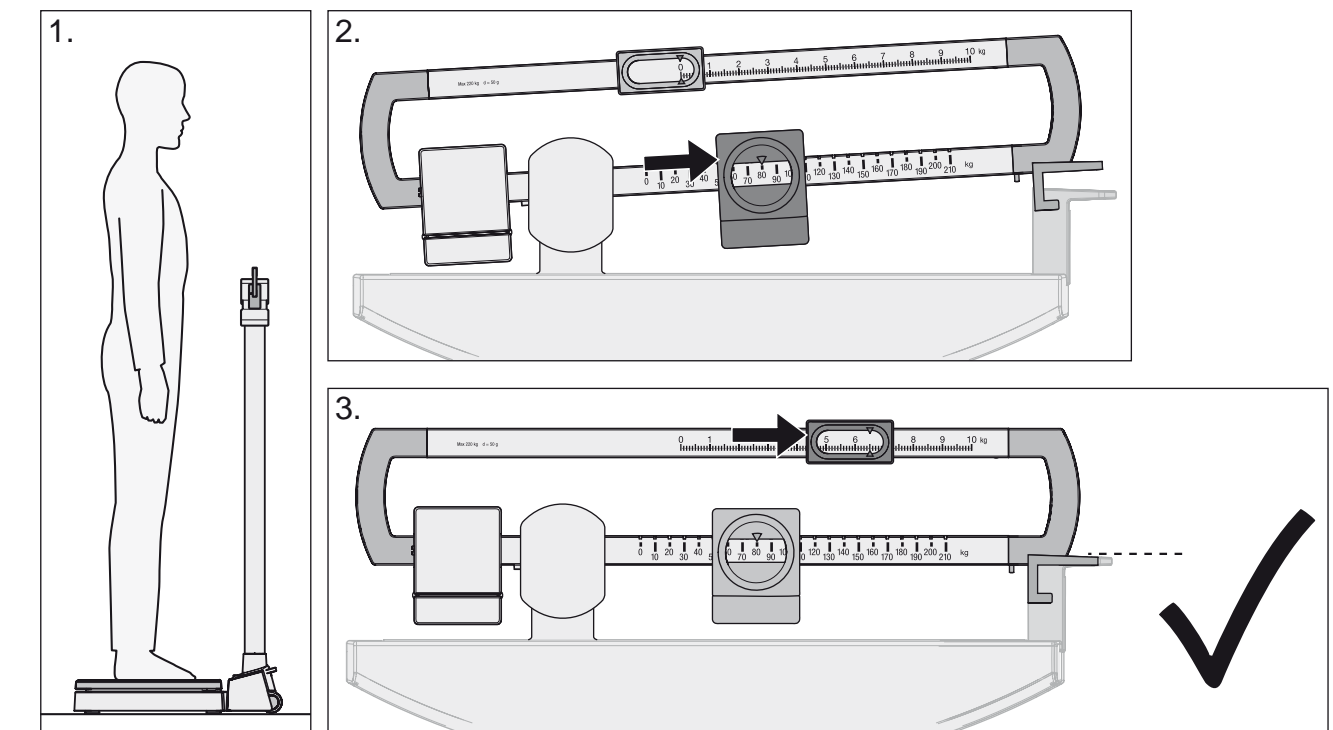
Justieren • Adjusting • Ajuster • Regolazione • Ajustar • Justering • Justering • Justere • Säätö • Justeren • Ajuste • Ρύθμιση



3

seca 700

Wiegen • Weighing • Peser • Pesatura • Pesar • Vejning • Vägning • Veie • Punnitus • Wegen • Pesar • Ζύγιση


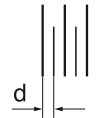

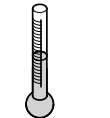
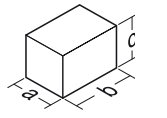
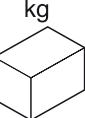
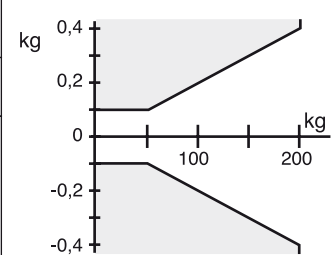


4

seca 700

seca 700

Technische Daten • Technical data • Caractéristiques techniques • Dati tecnici • Datos técnicos • Tekniske data • Tekniska data • Tekniske data • Tekniset tiedot • Technische gegevens • Dados técnicos • Τεχνικά χαρακτηριστικά

					
220 kg	50 g		+10 °C ... +40 °C	a = 520 mm	16,9 kg
500 lbs	1/8 lbs			b = 519 mm	
160 kg / 400 lbs	100 g / 1/4 lbs			c = 1556 + 10 mm	

GB - Warranty

A two-year warranty from date of delivery applies to defects attributable to poor materials or workmanship. All moveable parts - batteries, cables, mains units, rechargeable batteries etc. - are excluded. Defects which come under warranty will be made good for the customer at no charge on production of the receipt. No further claims can be entertained. The costs of transport in both directions will be borne by the customer should the equipment be located anywhere other than the customer's premises. In the event of transport damage, claims under warranty can be honoured only if the complete original packaging was used for any transport and the scale secured and attached in that packaging just as it was when originally packed. All the packaging should therefore be retained.
A claim under warranty will not be honoured if the equipment is opened by persons not expressly authorised by seca to do so. We would ask our customers abroad to contact their local sales agent in the event of a warranty matter.

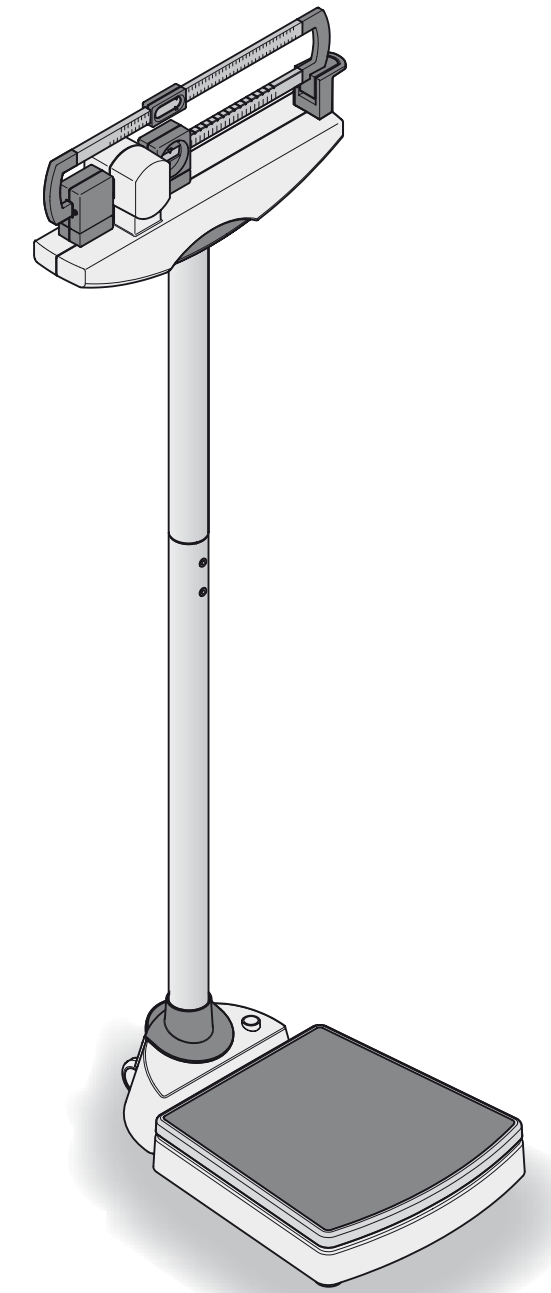
seca deutschland

Medical Scales and Measuring Systems
seca gmbh & co. kg,
Hammer Steindamm 9-25
22089 Hamburg • Germany
Phone • +49 (0)40 20 00 00 0
Fax • +49 (0)40 20 00 00 50
E-mail • info@seca.com

All contact data under www.seca.com

seca group

- seca deutschland
- seca france
- seca united kingdom
- seca north america
- seca schweiz
- seca zhong guo
- seca nihon
- seca mexico
- seca austria



seca
Precision for health