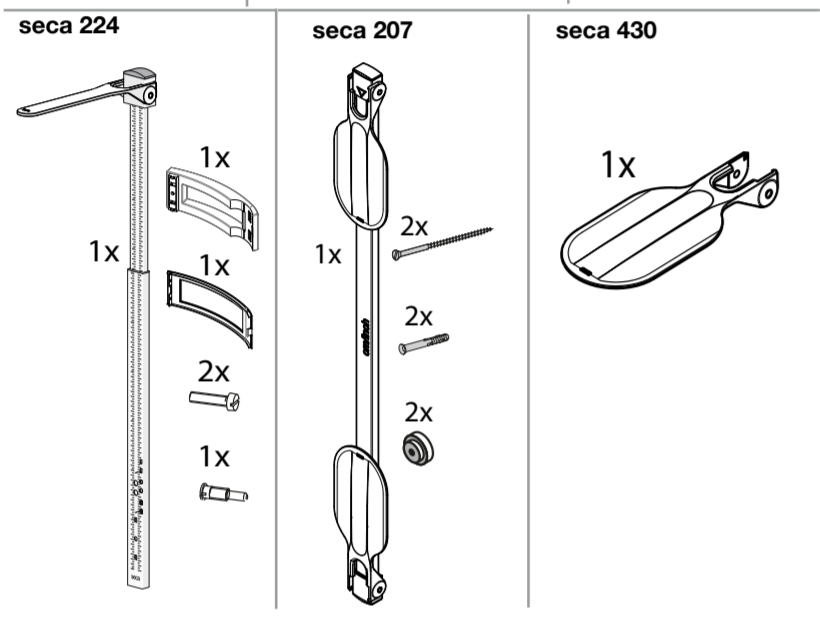
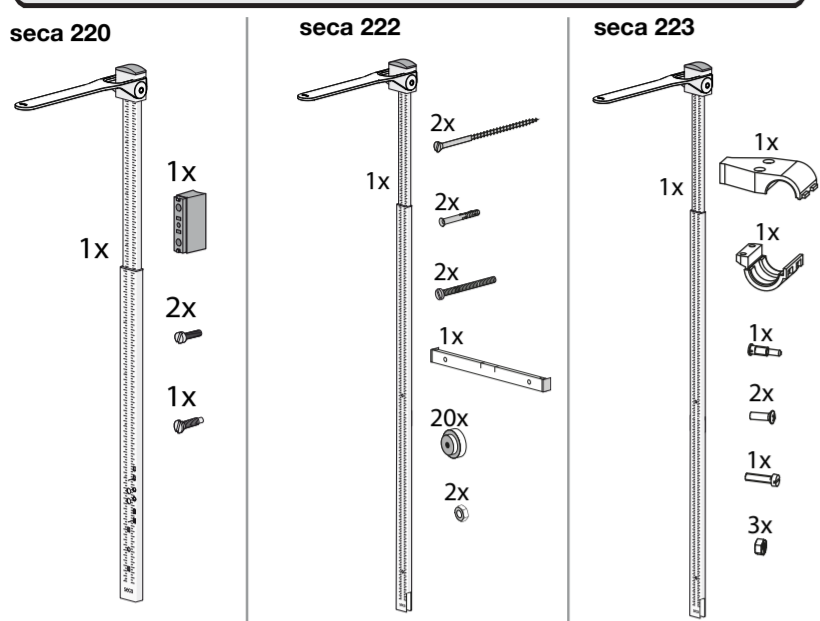


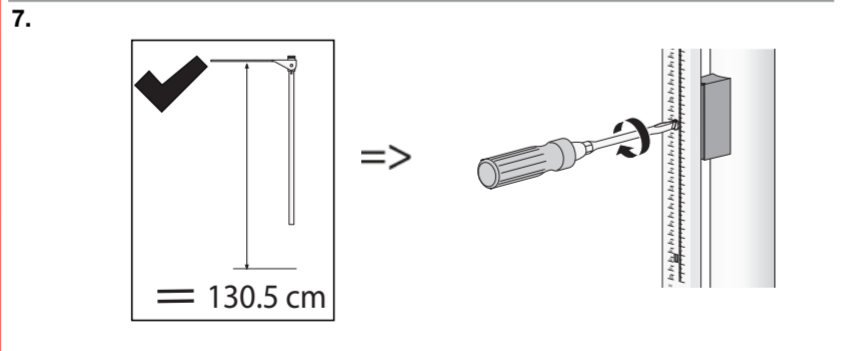
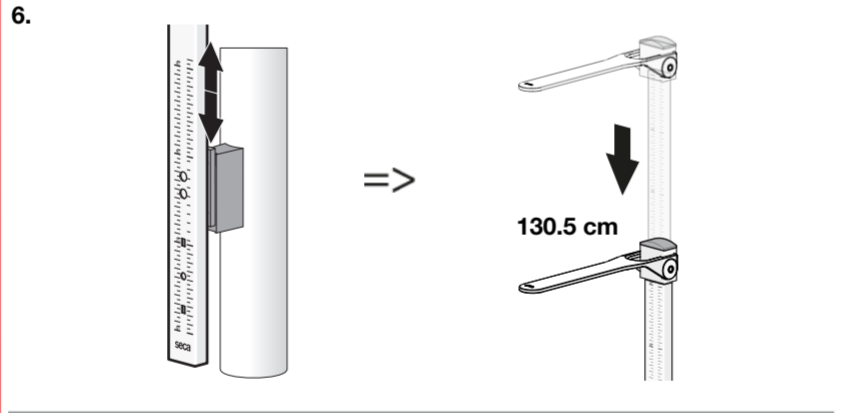
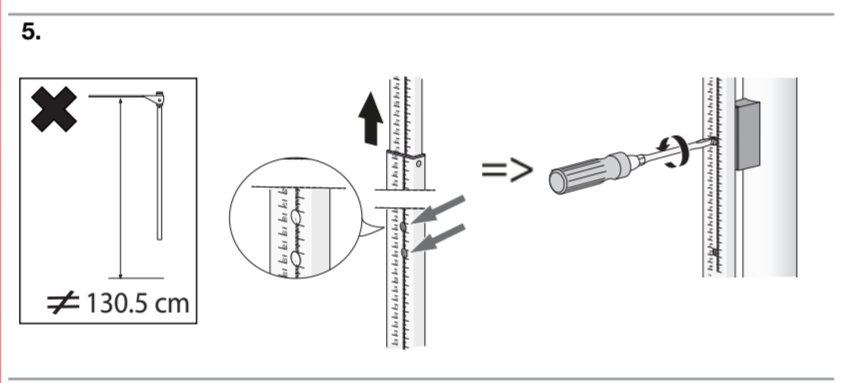
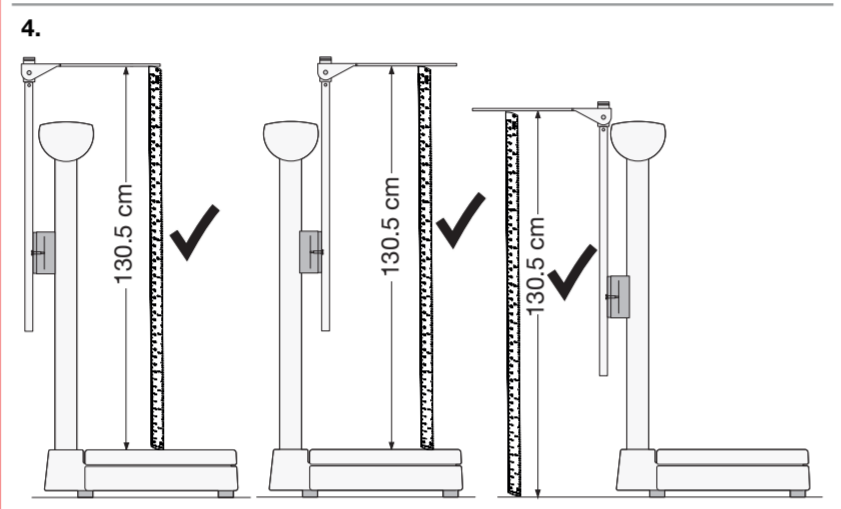
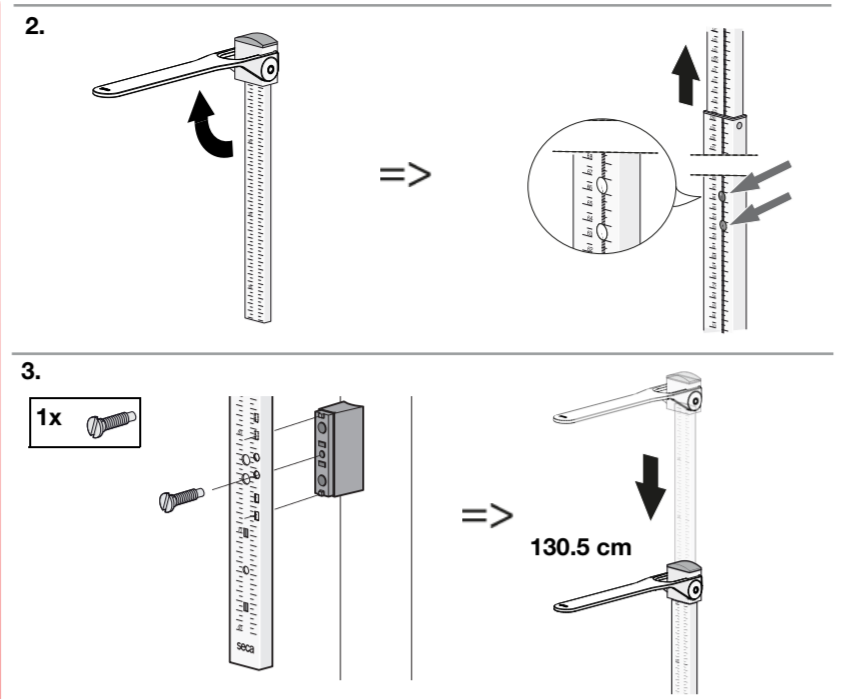
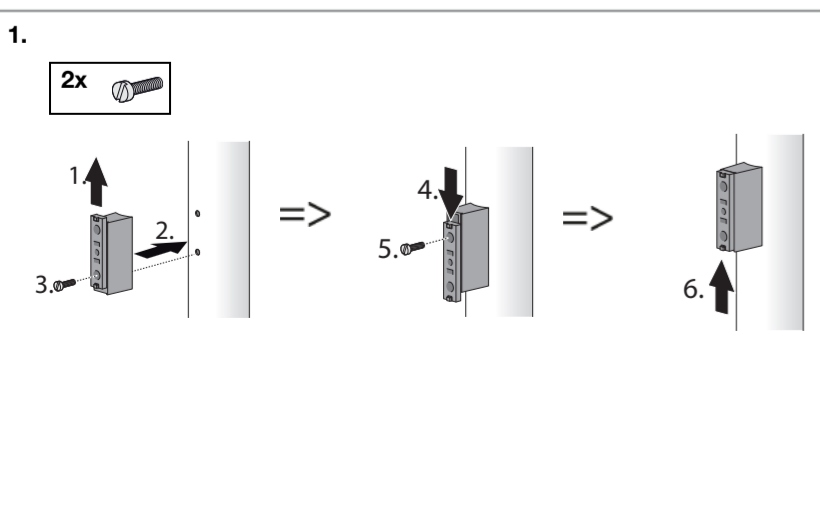
• Lieferumfang • Scope of delivery • Éléments livrés •  
 • Volumen de suministro • Dotazione • Leveringsomfang •  
 • Leveransomfattning • Inkludert i leveringen • Toimituksen sisältö •  
 • Omvang van de levering • Asennus • Montage • Montagem •  
 • Περιεχόμενα συσκευασίας • Zakres dostawy •  
 • Комплект поставки • 供货范围 • 同梱物 •



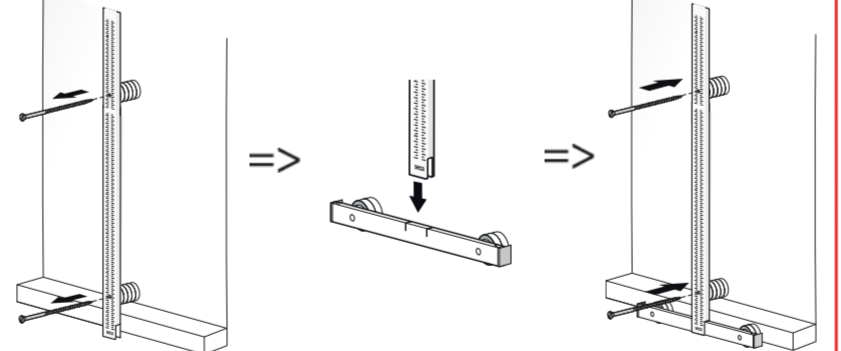
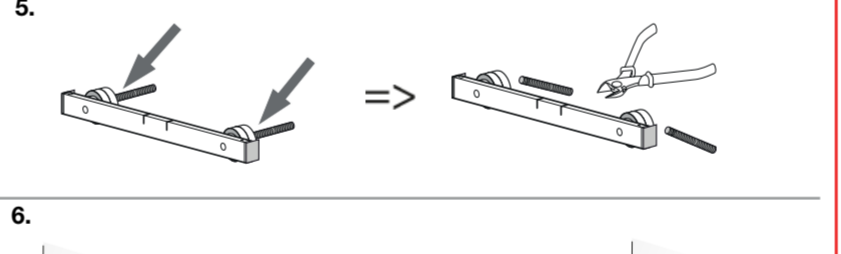
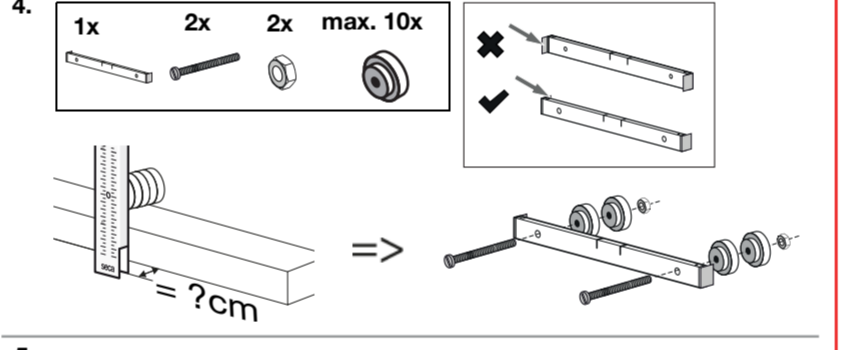
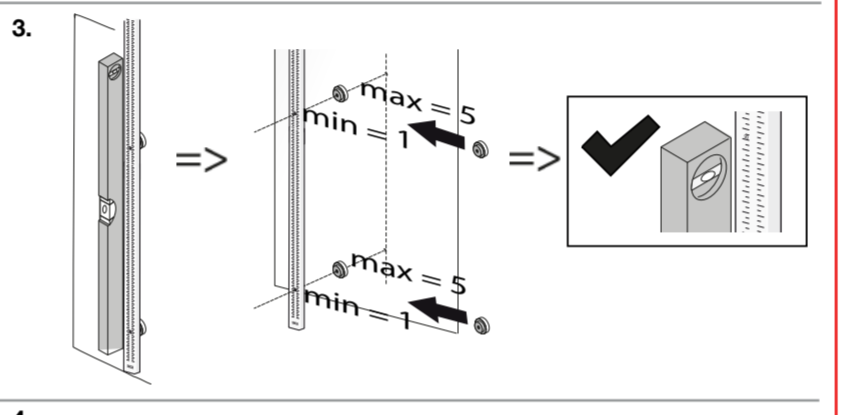
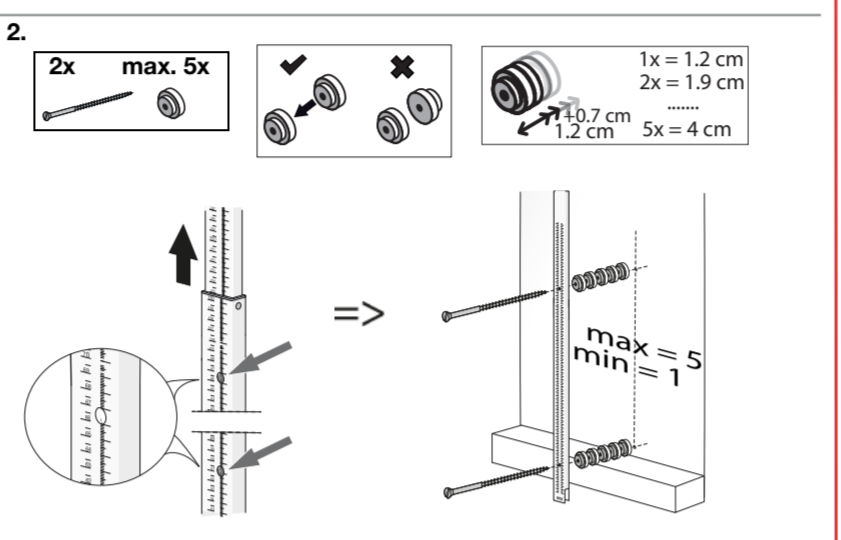
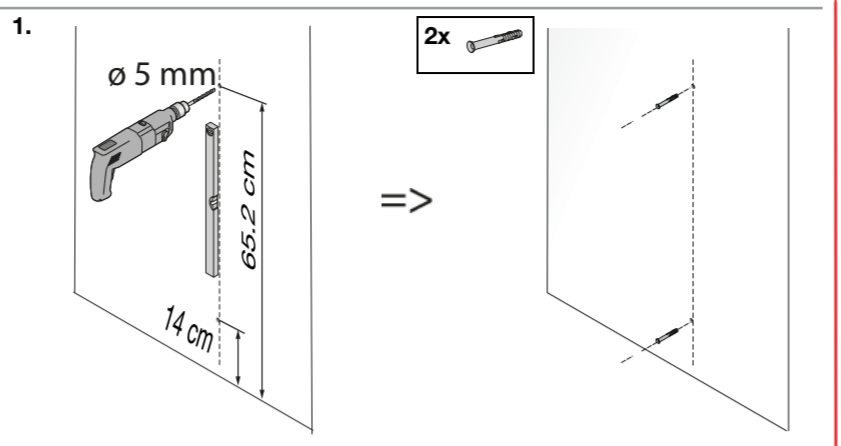
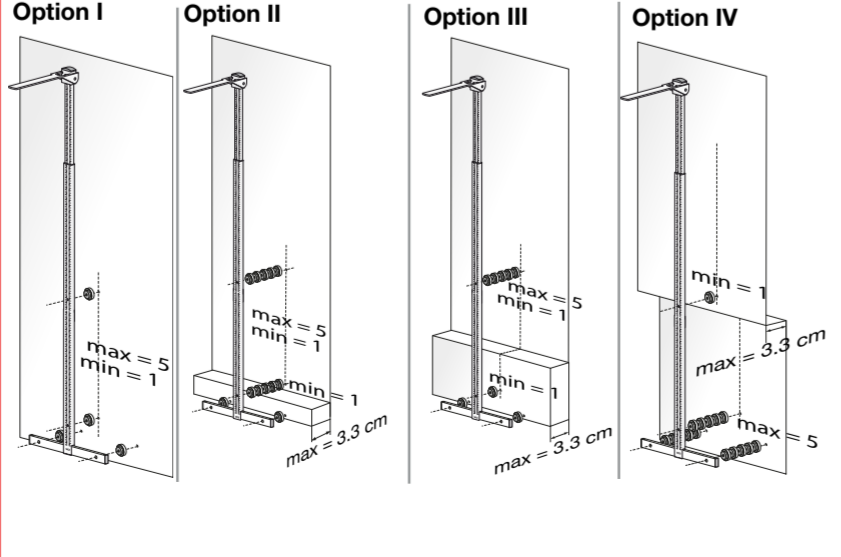
• Montage • Mounting measuring rod • Montage • Montaje • Montaggio •  
 • Montering • Montering • Asennus • Montage • Montagem •  
 • Συναρμολόγηση • Montaž • Монтаж • 安装 • 取付け •

seca 220

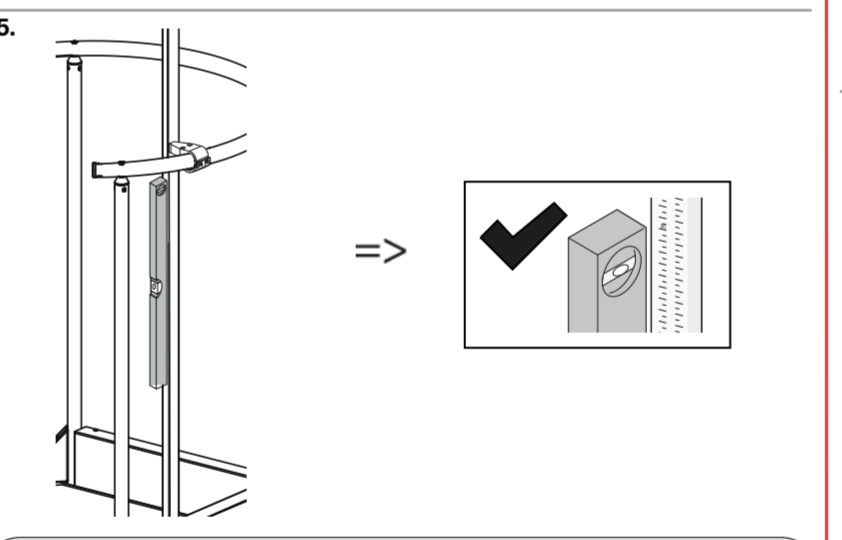
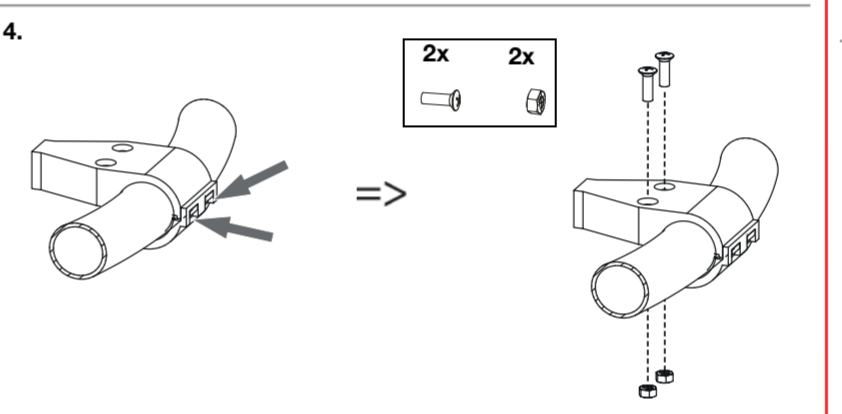
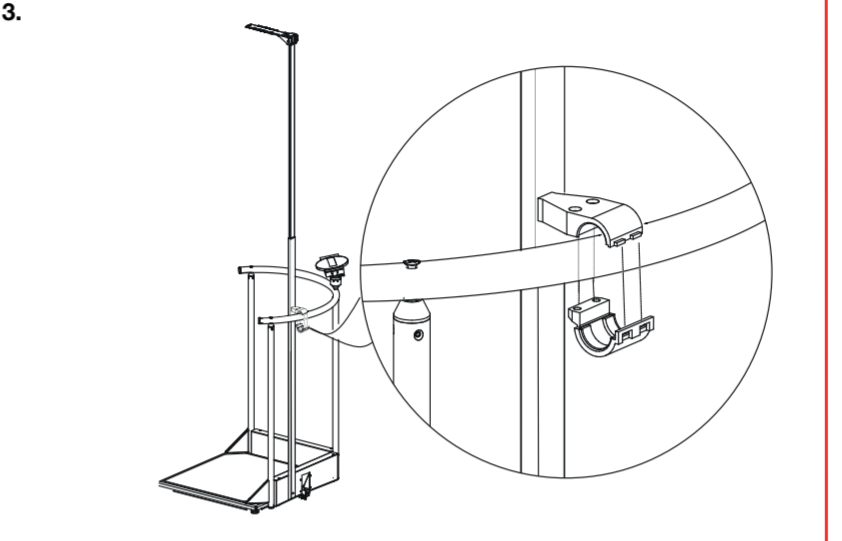
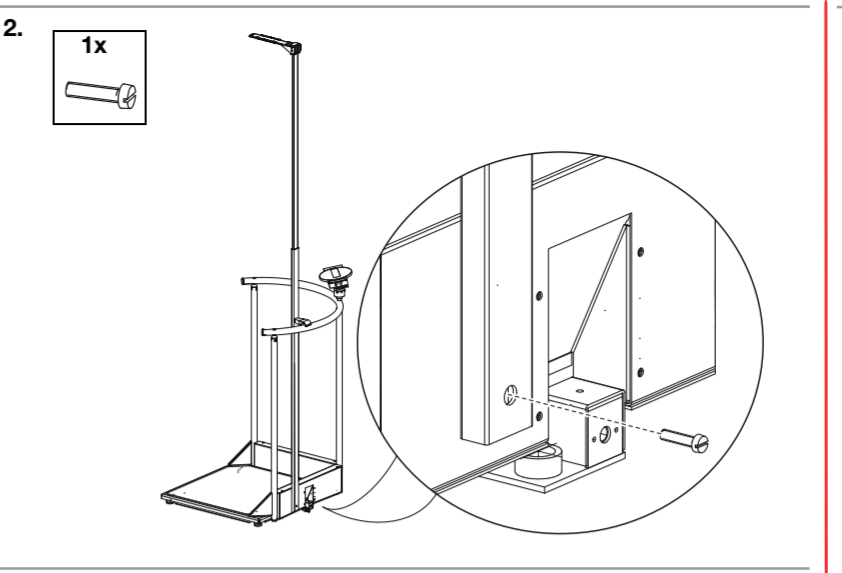
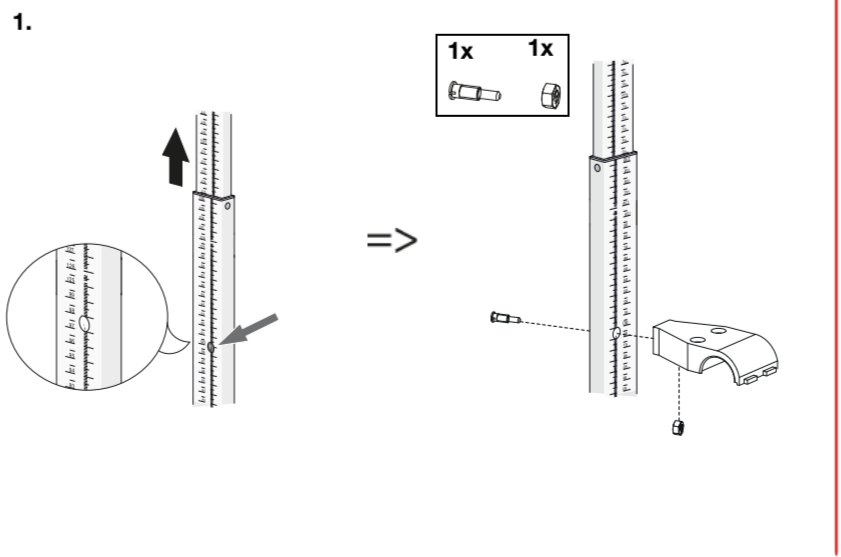
Position at spacer	Position at scale		
	seca 711 seca 712		
	seca 700 seca 711-220 kg	seca 709 seca 710	
			Electronic column scales e.g. seca 704, seca 799



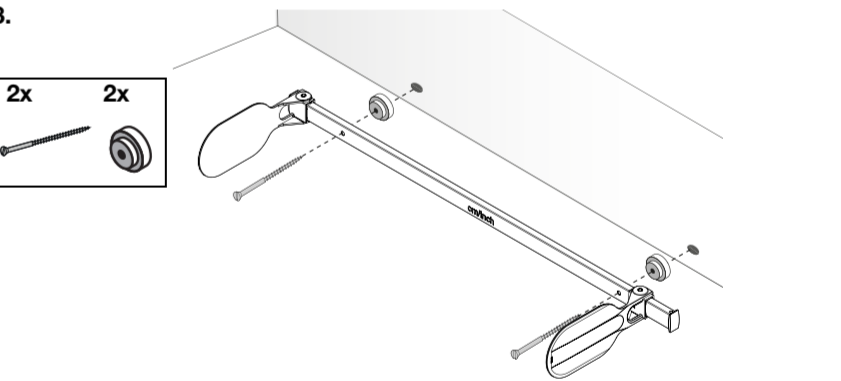
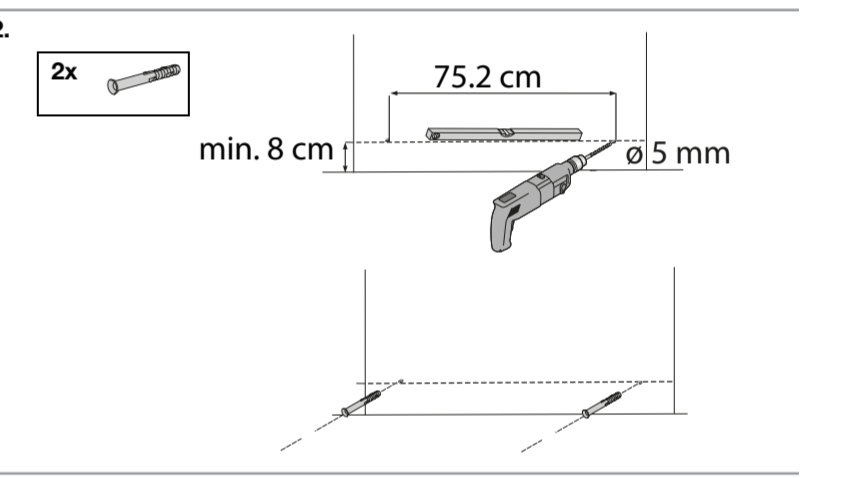
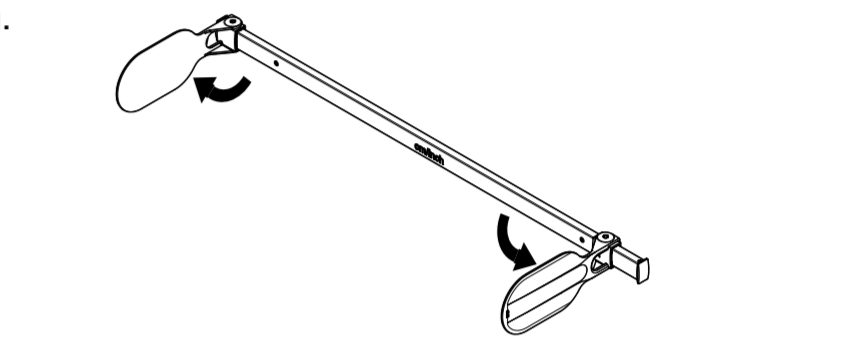
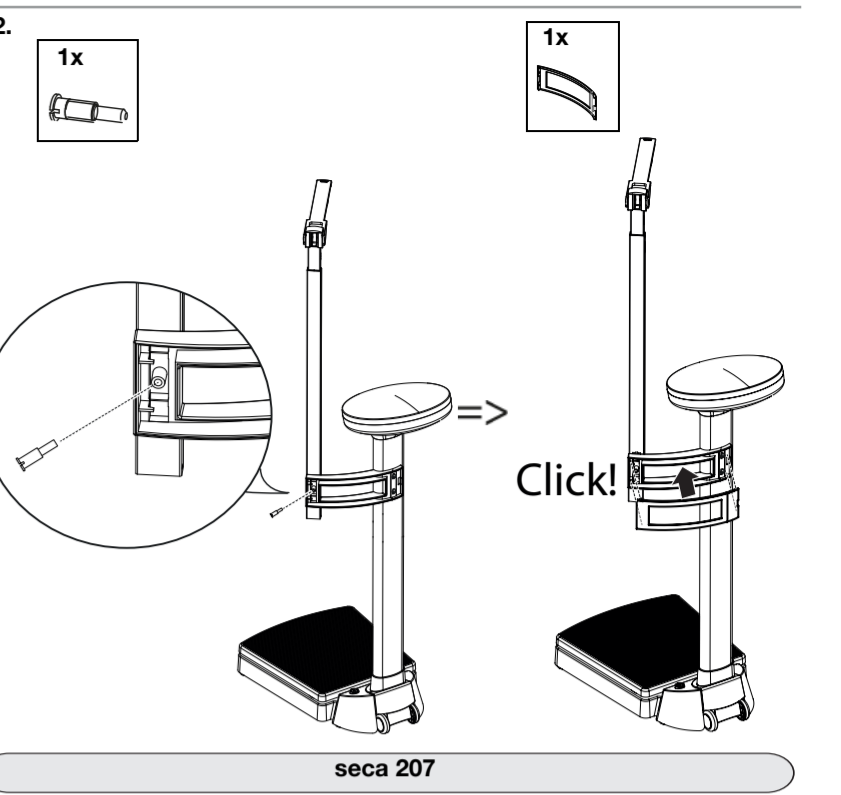
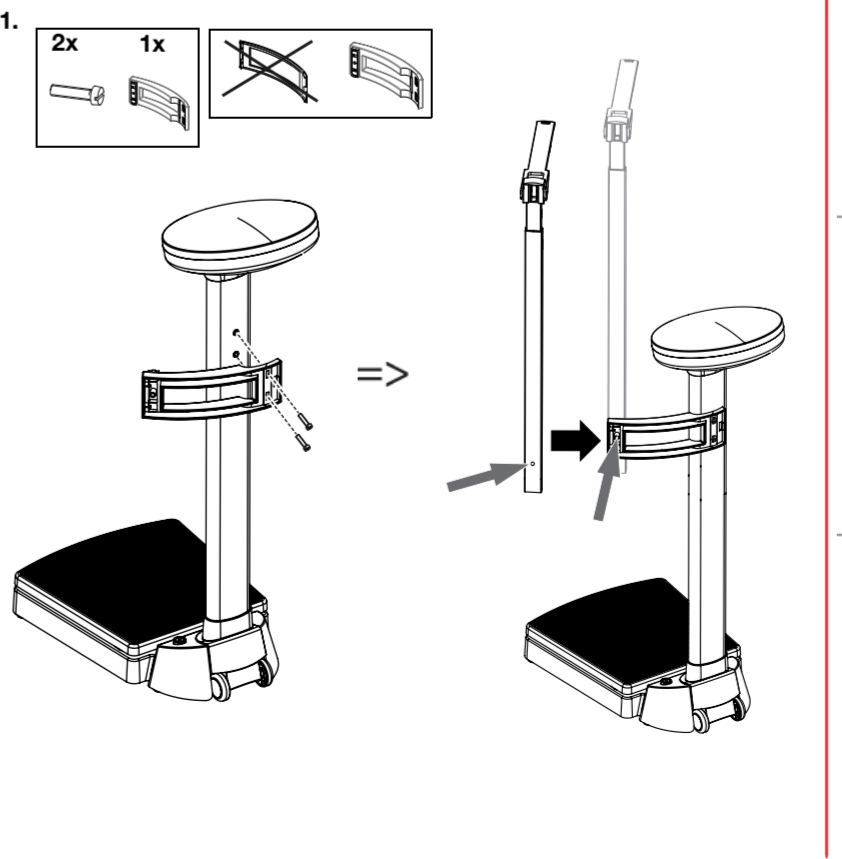
seca 222



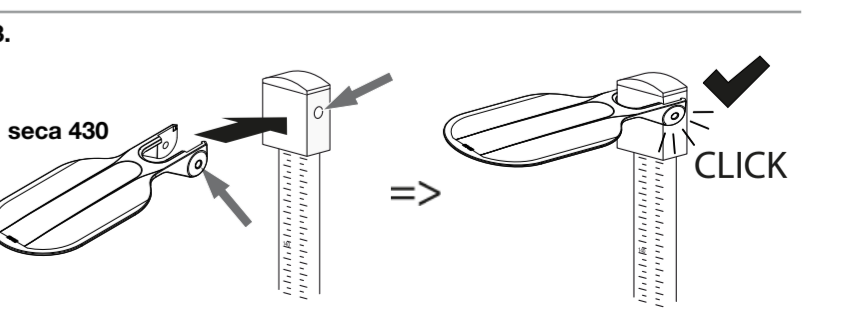
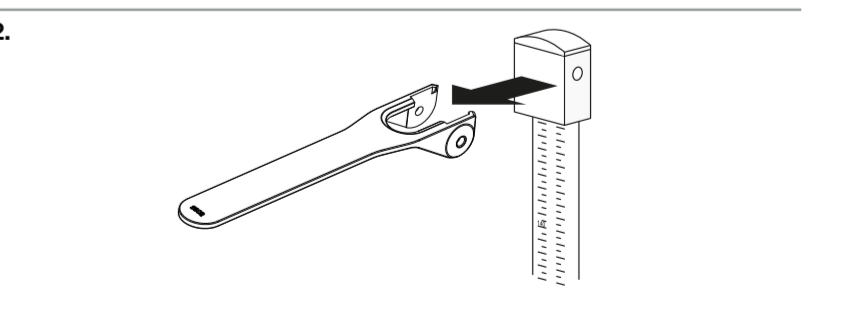
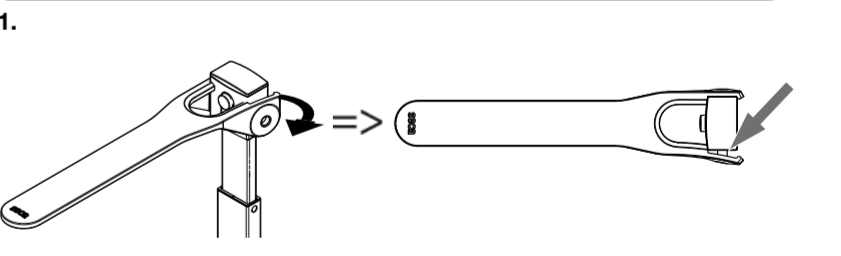
seca 223 (scale: seca 645/655)



seca 224 (scale: seca 755/756/786)



seca 430 (optional)

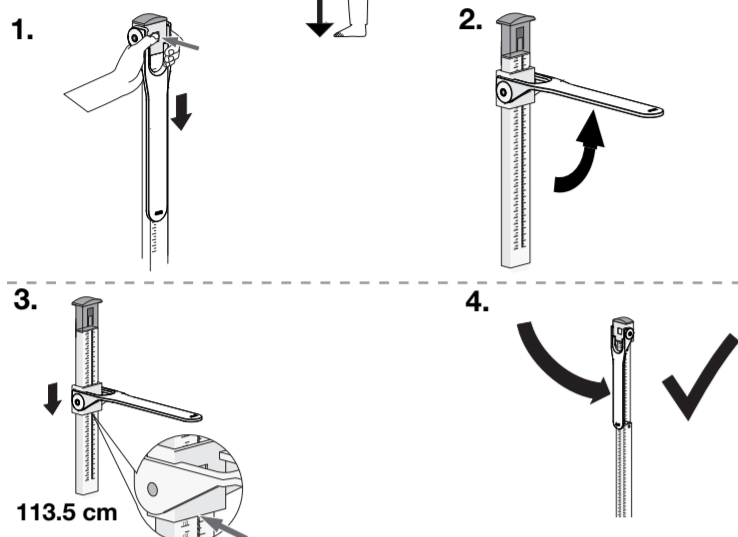
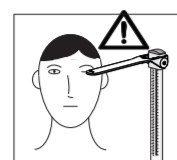


- Bedienung • Performing height measurement • Utilisation • Manejo •  
• Utilizzo • Betjening • Manövrering • Betjening • Käyttö • Bedienung •  
• Ορεγαζιό • Χειρισμός • Obsługa • Пользование • 操作 • 操作装置 •

seca 207 / seca 220 / seca 222 / seca 223 / seca 224

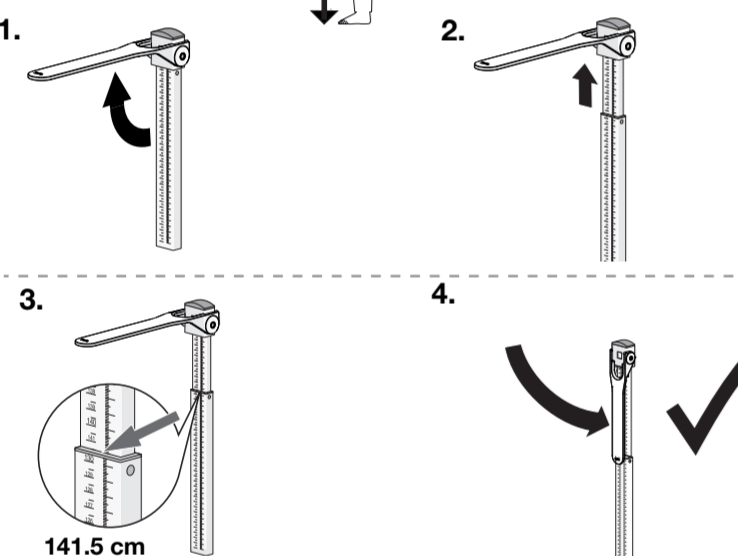
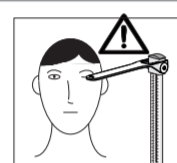
**Measuring range 1**

< 130.5 cm

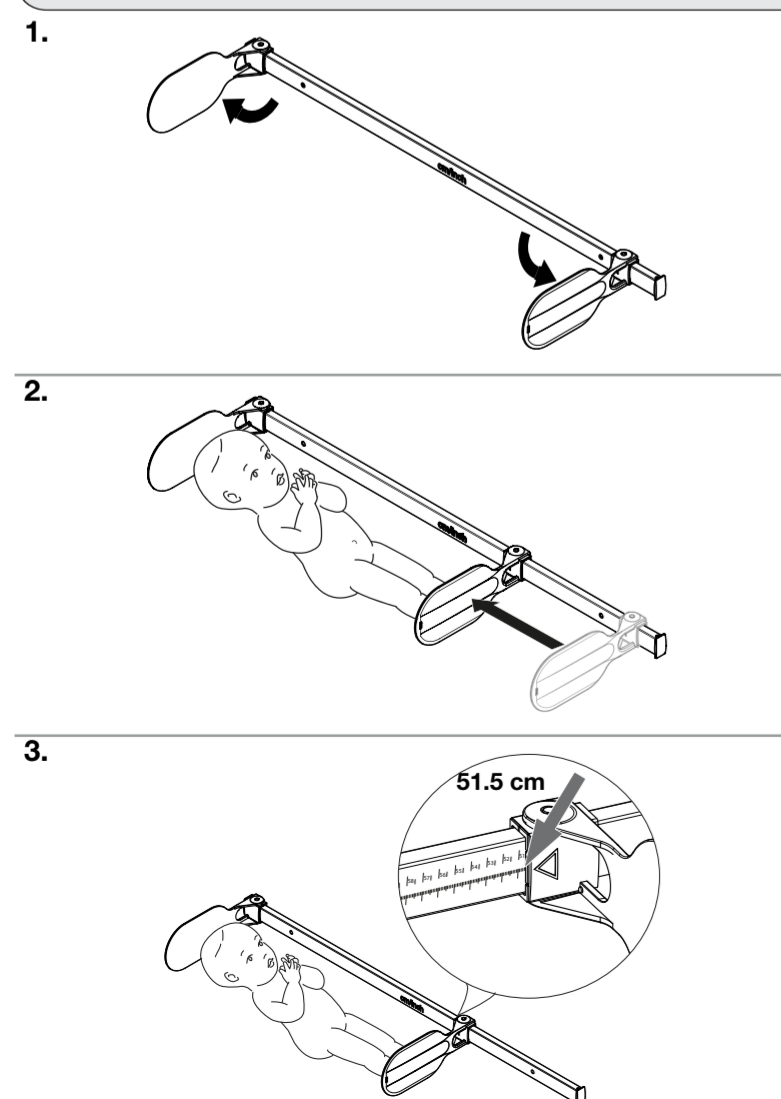


**Measuring range 2**

> 130.5 cm



seca 207



• English •

**1. SAFETY INFORMATION**

**CAUTION!**

**Patient hazard, damage to device**

- ▶ Please observe the information in these Instructions for Use.
- ▶ Keep the Instructions for Use in a safe place. These instructions for use are part of the device and must be readily available.
- ▶ Use the supplied assembly material only.
- ▶ Fold the measuring flap away after measuring height.
- ▶ Never leave a baby lying unsupervised with the measuring rod.
- ▶ Only measure a baby's length on surfaces from which the baby cannot fall.
- ▶ Have servicing and repairs carried out exclusively by seca service or an authorized service partner.

**2. INTENDED USE**

The measuring rod is used primarily in hospitals, medical practices and inpatient care facilities in accordance with national regulations. The measuring rod is for conventional determination of height and early detection of growth disorders; it also assists the physician supervising treatment in making a diagnosis or deciding on a course of treatment. To make an accurate diagnosis, however, other specific examinations have to be ordered by the physician and their results taken into account, in addition to determining a height value.

**3. MARKINGS ON THE DEVICE**

Text/Symbol	Meaning
	Follow Instructions for Use
	Gerät ist konform mit Richtlinien der EG <b>0123</b> : Notified body medical products: TÜV Süd Product Service
	The device meets the regulatory requirements of GOST R certification (Russia)
	Do not dispose of with household waste

**4. CLEANING AND DISINFECTING**

**ATTENTION!**

**Damage to device**

- ▶ Use only disinfectants suitable for sensitive surfaces (e.g. active ingredients including 70 % isopropanol).
- ▶ Do not use caustic or abrasive detergents.
- ▶ Do not use organic solvents (e.g. white spirit or benzine).

▶ Clean the device:

- If required, use a soft cloth dampened with mild soapsuds to wipe over the device.

▶ Disinfect the device:

Before and after every measurement	As required
Head slide and measuring flap	• Telescopic elements of the measuring rod • Heel stop (if applicable)

**5. FUNCTION CHECK**

▶ Perform a function prior to each operation:

- Visual inspection for mechanical damage
- Visual and function inspection of all movable parts
- Function check of the control elements

**CAUTION!**

**Patient hazard**

- ▶ If you notice any faults or deviations during the function check, do not use the device. Have the device repaired by seca service or an authorized service partner.

**6. WHAT DO I DO IF ...**

▶ ... measurement does not return a plausible height?

- Measurement result read off incorrectly
  - Use the correct edge for the measuring range currently in use
  - Read off the decimal places for the current measuring range in the correct direction
- Incorrect position/posture of patient
  - Correct the position/posture of the patient
- Measuring rod mounted incorrectly on column scale
  - Mount the measuring rod correctly

- Technische Daten • Technical Data • Caractéristiques techniques • Datos técnicos • Dati tecnici • Tekniske data • Tekniska data • Tekniske data •  
• Tekniset tiedot • Technische gegevens • Dados técnicos • Τεχνικά δεδομένα • Dane techniczne • Технические данные • 技术数据 • 技術データ •

	seca 220	seca 222	seca 223	seca 224	seca 207
 Depth Folded measuring flap	37 mm/ 1.4 inch	37 mm/ 1.4 inch	37 mm/ 1.4 inch	37 mm/ 1.4 inch	37 mm/ 1.4 inch
 Depth Unfolded measuring flap	286 mm/ 11.26 inch	286 mm/ 11.26 inch	286 mm/ 11.26 inch	286 mm/ 11.26 inch	286 mm/ 11.26 inch
 Width	57 mm/ 2.2 inch	308 mm/ 12.1 inch	57 mm/ 2.2 inch	55 mm/ 2.2 inch	1040 mm/ 41 inch
 Height Retracted measuring rod	790 mm/ 31.1 inch	1325 mm/ 52.2 inch	1325 mm/ 52.2 inch	790 mm/ 31.1 inch	-
 Height Extended measuring rod	1480 mm/ 58.3 inch	2320 mm/ 91.3 inch	2320 mm/ 91.3 inch	2020 mm/ 79.5 inch	120 mm/ 4.7 inch
 kg Net weight	ca. 0,7 kg/ 1.5 lb	ca. 0,7 kg/ 1.5 lb	ca. 0,9 kg/ 1.9 lb	ca. 1,4 kg/ 3,1 lb	ca. 0,7 kg/ 1.5 lb
 Temperature range, Operation	+10 °C to +40 °C (50 °F to 104 °F)				
 Temperature range, Storage	-10 °C to +65 °C (14 °F to 149 °F)				
 Temperature range, Transport	-10 °C to +65 °C (14 °F to 149 °F)				
93/42/EEC	Class I with measuring function				
Measuring range 1	60 cm - 130.5 cm/ 23.6 inch - 78.7 inch	6 cm - 130.5 cm/ 3 inch - 78.7 inch	6 cm - 130.5 cm/ 3 inch - 78.7 inch	60 cm - 130.5 cm/ 23.6 inch - 78.7 inch	6 cm - 130.5 cm/ 3 inch - 78.7 inch
Measuring range 2	130.5 cm - 200 cm/ 78.7 inch - 78.7 inch	130.5 cm - 230 cm/ 78.7 inch - 90 inch	130.5 cm - 230 cm/ 78.7 inch - 90 inch	130.5 cm - 200 cm/ 78.7 inch - 78.7 inch	130.5 cm - 230 cm/ 78.7 inch - 90 inch
 d	1 mm/1/8 inch	1 mm/1/8 inch	1 mm/1/8 inch	1 mm/1/8 inch	1 mm/1/8 inch
	± 5 mm/ ± 0.2 inch	± 5 mm/ ± 0.2 inch	± 5 mm/ ± 0.2 inch	± 5 mm/ ± 0.2 inch	± 5 mm/ ± 0.2 inch



Medical Measuring  
Systems and Scales  
since 1840

seca gmbh & co. kg  
Hammer Steindamm 3-25  
22089 Hamburg \* Germany

Telephone +49 40 20 00 00 0

Fax +49 40 20 00 00 50

info@seca.com

All contact data under [www.seca.com](http://www.seca.com)



- seca deutschland    seca nihon    seca suomi  
seca france    seca mexico    seca américa latina  
seca united kingdom    seca austria    seca asia pacific  
seca north america    seca polska  
seca schweiz    seca middle east  
seca zhong guo    seca brasil