



# GIMA

**MISURATORE DI STATURA**  
**HEIGHT MEASURE**  
**MESUREUR DE TAILLE**  
**MEDIDOR DE ESTATURA**

**MANUALE D'USO E MANUTENZIONE**  
**USE AND MAINTENANCE BOOK**  
**INSTRUCTIONS DE FONCTIONNEMENT ET ENTRETIEN**  
**MANUAL DE USO Y MANTENIMIENTO**

**ATTENZIONE:** Gli operatori devono leggere e capire completamente questo manuale prima di utilizzare il prodotto.

**ATTENTION:** The operators must carefully read and completely understand the present manual before using the product.

**AVIS:** Les opérateurs doivent lire et bien comprendre ce manuel avant d'utiliser le produit.

**ATENCIÓN:** Los operadores tienen que leer y entender completamente este manual antes de utilizar el producto.



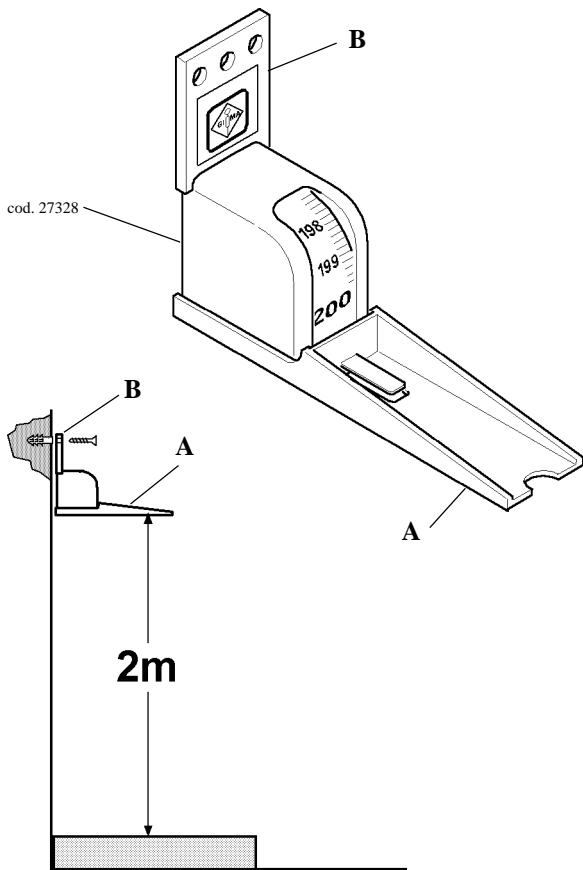
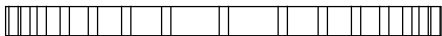
**GIMA Spa - Via Marconi, 1 - 20060 Gessate (MI) - Italia**

**ITALIA:** Tel. 199 400 401 (8 linee r.a.) - Fax 199 400 403

E-mail: [gima@gimaitaly.com](mailto:gima@gimaitaly.com) - [www.gimaitaly.com](http://www.gimaitaly.com)

**INTERNATIONAL:** Tel. ++39 02 953854209 - Fax ++39 02 95380056

E-mail: [export@gimaitaly.com](mailto:export@gimaitaly.com) - [www.gimaitaly.com](http://www.gimaitaly.com)





## FEATURES

### Product description

GIMA tape height measure (cod. 27328) is an instrument suitable to measure a person's height with an approximation of  $\pm 1$  cm.

It can be secured to the wall and measure up to 2 m. It is space-saving and allows a quick reading.

## PRESCRIPTIONS

### General accident-prevention measures



*Do not pull the slider A abruptly, as the graduated tape could break.*

The product shall be used by qualified personnel only.



*Do not use the equipment in case it is damaged. Apply to your retailer.*

*Avoid precarious repairs. Repairs shall be carried out with original spare parts only, which shall be installed according to the intended use.*

Since the product is made of corrosion-proof materials suitable for the environmental conditions foreseen for its normal use, does not require special care, however it is necessary to store it in a closed place making sure that is protected from dust and dirt to assure its hygienic conditions. Moreover, it is recommended to store the product in a place which can be reached easily by the personnel in case of necessity.

## TRANSPORT

### Unpacking



*Always remember that packing elements (paper, cellophane, stitches, adhesive tape, etc.) can cut and/or hurt if they are not carefully handled.*

*They shall be removed with adequate means and shall not be left at the mercy of irresponsible persons; the same is valid for tools used to remove packages (scissors, knives, etc.).*

After opening the packages, first of all it is necessary to check all pieces and parts composing the product. Check that they are all present and in perfect conditions.

## INSTALLATION

### Installation and connections

To fix the tape height measure to the wall, position the slider **A** at a height of 2 m from the ground (see Drawing) and keeping the instrument compact, fix the plate **B** by means of the apposite dowels provided as standards. At this point the tape height measure is ready to use.



## OPERATION

### Operating instructions

To carry out a measurement, catch the slider **A** and pull it downwards, until it touches the head of the person to measure. Finally read the value showed by the pointer.

Periodically clean the tape height measure with a cloth dampened with disinfectant. Pay particular attention to the slider **A**.

## MAINTENANCE

### General maintenance instructions

The product has been conceived to last forever; it is resistant to most part of chemicals except for methyl ethyl ketones (M.E.K.), diluents and nail polish removers.



*Periodically clean the tape height measure with a cloth dampened with disinfectant. Pay particular attention to the slider **A**.*

## GUARANTEE

Thank you for having acquired our product.

This product meets the most stringent requirements regarding the selection of quality manufacturing materials and also the final control. The product has a 12-month warranty, valid from the date it is delivered by GIMA.

During the guarantee period free repair and/or replacement of any defective parts due to faulty manufacture will be given, labour, postal, transport and packaging charges etc. are not included. The guarantee therefore excludes components subject to wear and tear such as parts in rubber or PVC, doppler probes, SpO<sub>2</sub> sensors, lamps, batteries, electrodes, handpieces, washers and packings, resistances, etc.

No compensation will be given for loss of use of the product.

Furthermore replacement or repairs effected during the guarantee period do not lengthen the duration of the guarantee.



*This guarantee is void in the event of: repairs effected by unauthorised persons or with spare parts not approved by GIMA, damage or defects caused by negligence, blows, abnormal use of the appliance or faulty installation.*

The guarantee will be invalidated if the registration number has been removed, cancelled or altered.

Faulty appliances must be returned only to the retailer where the item was bought. Any item dispatched directly to us will be refused.