



GIMA

PROFESSIONAL MEDICAL PRODUCTS

**APPARECCHIATURA PER SPA
E CENTRI BENESSERE**
SPA & WELLNESS EQUIPMENT
ÉQUIPEMENT SPA ET DE BIEN-ÊTRE
SPA & EQUIPO DE BIENESTAR

REF 2204 (27421)

Importato da / Imported by / Importé par / Importado por:

Gima S.p.A.

Via Marconi, 1 - 20060 Gessate (MI) Italy

gima@gimaitaly.com - export@gimaitaly.com

www.gimaitaly.com

Made in China



1 ABOUT THIS MANUAL

This manual shall only be used for the reference of operation of this particular model. If the manual is used for other purposes, we will not undertake any according consequences and responsibility.

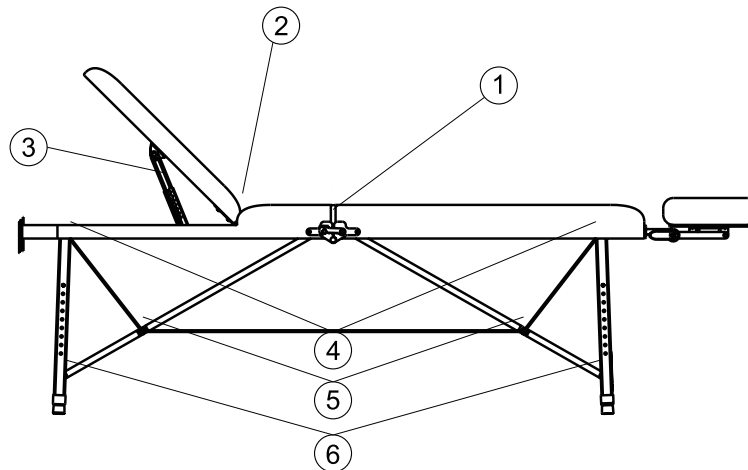
All information of this manual shall be protected by copyright and shall not be copied and translated in any part of this specification without the written consent of manufacturer.

2 WARNING

- Do not stand on this equipment.
- Do not allow children to play with and place the equipment in a place where children can touch; Please adjust the backrest to the highest position when you leave.
- Please do not place this equipment in wet places such as bathroom to avoid electric shock or other failure; Controllers should also avoid contact with water.
- Please do not place and operate the equipment in places where is painting/coating or supplying oxygen.
- Unless being monitored or instructed by personnel who can be responsible for their personal safety, the people who have physical obstacles, tactile disorders, mental disorders, lack of experience, common sense or children, are not allowed to use the equipment.
- Please make sure there is no accessible thing within the stroke during any operation of the beds.
- Operation should be processed by trained professionals.

3 PRECAUTIONS

- The equipment should be in charge by an experience person who must be familiar with the product structure, performance and use methods. And make the regular maintenance work.
- Read this manual carefully before installation, operation and adjustment. And please keep it well.
- This product shall not be used for single side or single point loading work.
- Comply with safety operation rules, do not overload the use of products, to ensure that the product safety protection equipment is complete and reliable, eliminates unsafe factors on time.
- Tighten bolts and nuts regularly to avoid failure caused by loose, sliding, vibration and falling parts.
- During the maintenance, the operator shall not disassemble any parts of the bed at will.
- This product is not allowed to operate when it's with fault. If abnormal phenomenon or abnormal sound is found, it must be stopped for inspection immediately, and work can be resumed after troubleshooting.
- The operator must be familiar with the precautions described in each section of the manual to ensure the safety of person and product.
- Please operate the equipment strict accordance with the warning label pasted to the products.
- Maintenance should be processed by trained professionals.
- After each treatment, please use neutral reagent to clear the dust, stains on leather or on wood pieces.
- When unpacking the beauty bed, adjusting the backrest angle, seat inclination, and bed height. Do not put your hands, feet, head, or any body parts in or between the gaps (as shown in the picture below).



4 APPLICABLE RANGE

These beauty beds are suitable for beauty, massage and manicure treatment.

5 INSTALLATION

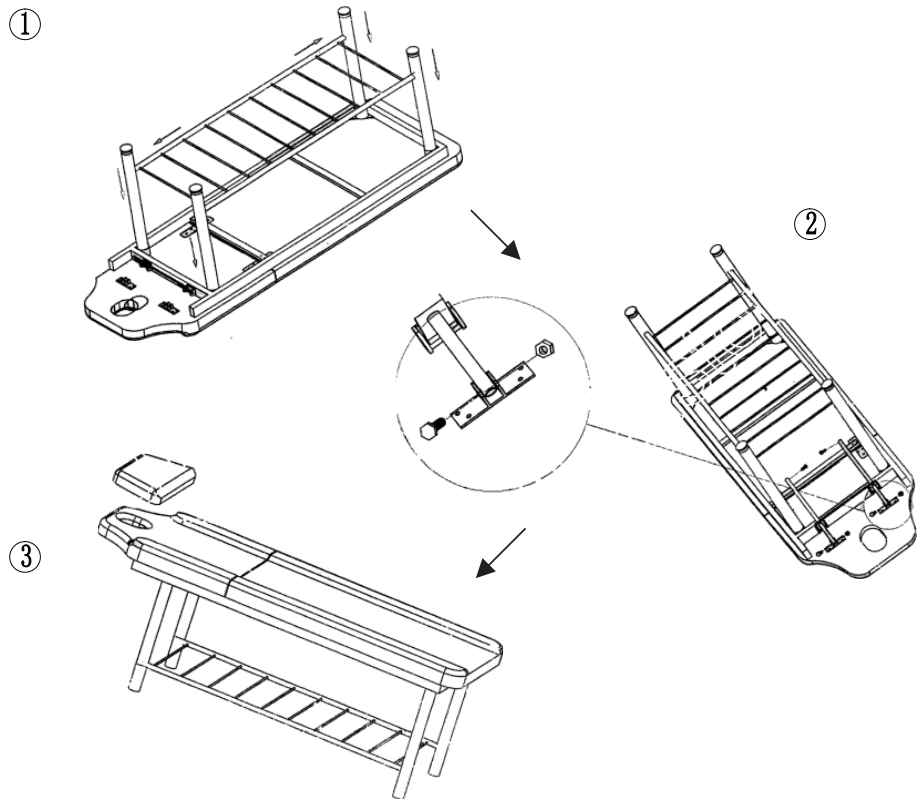
1. Put the bed to a proper location, according to the overall layout, the daylighting or artificial lightings and operation condition of the salon's or the home. And keep in the clean, dry and cool environment.
2. Open the packing carton to check if the bed is intact and whether the accessories or spares are complete. Please contact distributor or us if there's any problem.
3. Installation

Place the bed to the proper position. Please note that it is unnecessary to install extra screw on the floor to fasten the bed, because the original design has taken the stability performance into consideration. But please ensure the bed is placed on a firm and flat ground, so as to prevent any accident.

Installation Guide for Beauty Bed Model 2260

If the bed rotates or slant due to rough ground, please adjust the four pieces of plastic feet (M10x30) and nuts (M10) by hexagon open-end wrench, which are fasten on the bottom panel, so as to ensure the bed is stable.

Installation procedure



6 TECHNICAL PARAMETERS

| | |
|-------------------------|--------------|
| Environment Temperature | 0°C~+40°C |
| Relative Humidity | 30%~90% |
| Lifting Rated Load | 175 kg |
| Product size | 1830x610x640 |
| Package size | 1880x170x660 |
| Net weight | 28 |
| Gross weight | 31 |

7 MAINTENANCE

1. After every treatment, please only use neutral solution to clear the dust, stains on leather, metal part. Disinfecting solution like alcohol, acid or alkaline solution are forbidden.

This is to prevent the lifetime of leather from being shorten

2. Please lubricate the moving parts regularly (once a year).

8 TROUBLESHOOTING

| | | |
|----------------|---|-------------------------|
| Abnormal Sound | 1. The rotating parts are short of lubricating oil. | 1. Add lubricating oil. |
| | 2. Rotating positions (such as hinge, POM sets) are short of lubricating oil. | 2. Add lubricating oil. |

If problem is still not solved after above operation, please contact maintenance center or supplier to solve it.

GIMA WARRANTY TERMS

The Gima 12-month standard B2B warranty applies.