



GIMA

PROFESSIONAL MEDICAL PRODUCTS

**CARRELLO EXCEL
EXCEL TROLLEY
CHARIOT EXCEL
CARRO EXCEL
CARRINHO EXCEL
WAGEN "EXCEL"
ΤΡΟΧΗΛΑΤΟ ΤΡΑΠΕΖΑΚΙ EXCEL**

**Manuale d'uso - User manual - Manuel de l'utilisateur - Guía de uso
Guia para utilização - Gebrauchs ungsanleitung - Οδηγίες χρήσης**

REF 27440 - 27441



Distribuito da / distributed by / distribué par / distribuido por /
vertrieben von / distribuído por / Διανέμεται από:

Gima S.p.A.

Via Marconi, 1 - 20060 Gessate (MI) Italy
gima@gimaitaly.com - export@gimaitaly.com

www.gimaitaly.com

Made in Italy

Fabbricante / Manufacturer / Fabricant / Fabricante / Fabricante
/ Hersteller / Κατασκευαστής:

SCROSATI ARREDAMENTI METALLICI SRL

Via Vittorio Veneto 95, 21015 Lonate Pozzolo (VA)
scrosati@scrosati.com

INTRODUCTION

You should carefully read this manual before using this medical device.

DESCRIPTION

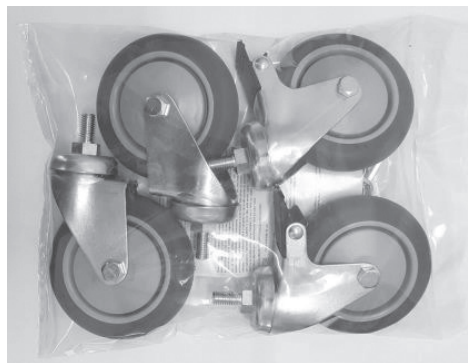
This article is a trolley made of painted steel with 3 or 4 fixed shelves. It is a service trolley for hospital use. The Excel is a practical trolley suitable to support and transport small electromedical instruments.

COMPONENTS

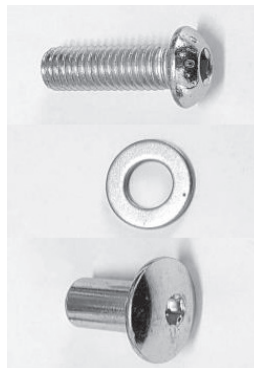
- N.3 Shelves cod.27440
- N.4 Shelves cod.27441
- N.2 Legs

Assembly material:

- N. 4 wheels



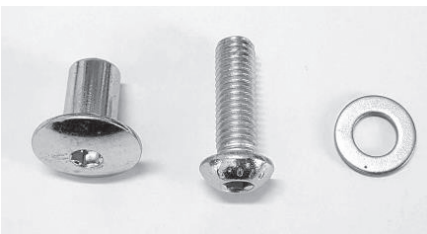


- 12 screws TTBE 8X25 cod.27440
- 16 screws TTBE 8x25 cod.27441
- 12 washers 8X16 cod.27440
- 16 washers 8X16 cod.27441
- 12 screws TT 8X16 cod.27440
- 16 screws TT 8X16 FE cod.27441
- N.2 ALLEN KEYS

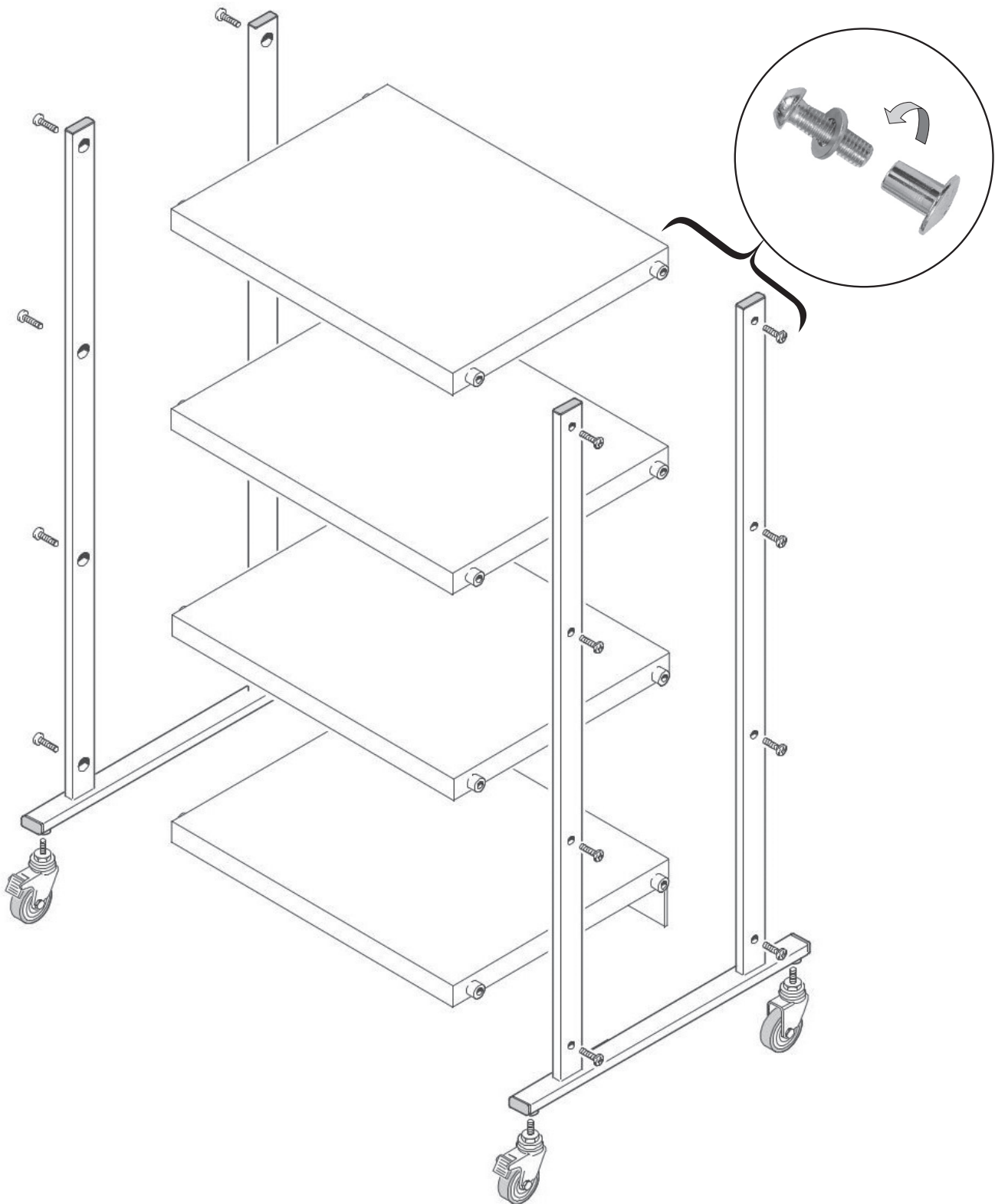


ASSEMBLY INSTRUCTIONS

Begin the assembly phase by setting up a stable horizontal work plan.

Screw the wheels to the base of both legs.
Start to fix the shelves to the structure and take the connecting screws.

Connecting screws	Insert screw and washer INSIDE the shelf.	Insert the TT screw from the OUTSIDE of the structure.
		



TECHNICAL DATA

Measurement	Trolley 3 shelves: 66x68x h 81 cm Trolley 4 shelves: 66x68x h 111 cm Shelf: 60 x 45 x h 2,5 cm Box: 96,5 x 18,5 x h 74 cm
Weight	Trolley 3 shelves: 27 kg (28,8 kg with box) Trolley 4 shelves: 35,5 kg (37,3 kg with box)
Max capacity	80 kg

WARNINGS!

- Check the locking nuts are tightened.
- Observe the maximum flow rates indicated in the data sheets.
- Avoid direct contact with open wounds.
- Not for use in open environments.

MAINTENANCE AND CLEANING

- Use only original spare parts.
- Periodically check all fixing points.
- To preserve at best, it is recommended to avoid prolonged exposure to sunlight, to contact and deposit in saline and very humid environments.
- Wash the stainless steel surfaces with soapy water and use appropriate disinfectants.
- Rinse with a damp cloth and dry thoroughly.
- Do not spill on the surface cleaners containing chlorine or ammonia, fatty and oily substances.
- Do not use cleaning utensils containing iron. If necessary disinfection only use suitable non-corrosive products.

GIMA WARRANTY TERMS

The Gima 12-month standard B2B warranty applies.