

OVERBED TABLE - Thank you for choosing this Overbed Table – L100.

1 General

1.1 Symbols

Signal words are used in this manual and apply to hazards or unsafe practices which could result in personal injury or property damage. See the information below for definitions of the signal words.

Warning - Warning indicates a potentially hazardous situation which, if not avoided, could result in death or serious injury.

Important - Indicates a hazardous situation that could result in damage to property if it is not avoided.

Gives useful tips, recommendations and information for efficient, trouble-free use.

1.2 Safety

Check ALL parts for shipping damage. If shipping damage is noted, DO NOT use. Contact carrier or dealer for further instruction.

Weight Limitation - The horizontal and vertical static loading limitation of the L100 is 25 kg (55 lbs).

General Warnings

DO NOT use this product or any available optional equipment without first completely reading and understanding these instructions and any additional instructional material such as owner's manuals, service manuals or instruction sheets supplied with this product or optional equipment. If you are unable to understand the warnings, cautions or instructions, contact a healthcare professional, dealer or technical personnel before attempting to use this equipment - otherwise, injury or damage may occur. ALWAYS check the overbed table for proper tightness before using.

THE technical improvements of products will be compiled into new version of user manual without notice. Please in kind prevail if the appearance and color of products are changed.

Accessories Warning

IDEAL products are specifically designed and manufactured for use in conjunction with IDEAL accessories. Accessories designed by other manufacturers have not been tested and are not recommended for use with IDEAL products.

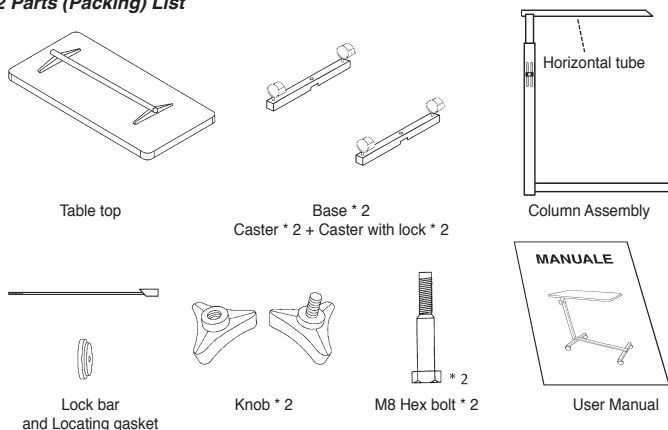
Installation Warning

ALWAYS use extreme caution when installing the column assembly, because it is with a sharp in the end of horizontal tube, please don't touch the sharp before completion of installation, otherwise injury or damage might occur. After any adjustments, repair or service and before use, make sure that all attaching component parts are secure.

1.3 Intended use

The overbed table as a kind of furniture is designed for use as a movable table top surface for reading, eating, or keeping small personal items such as glasses, telephone, or books within easy reach.

2 Parts (Packing) List



3 Assembling the Overbed Table (Refer to the FIGURE 1)

- 1) Open end of box and then slide contents out of box.
- 2) Collect base, top board, column assembly, hardware and this user manual.
- 3) Put the column assembly upon base, then install base one by one with M8 hex bolt by 13mm wrench.
- 4) Lock bar insert into horizontal tube and another side's locating gasket, then install knob, finally insert into the tube of table board and tighten the knob securely.
- 5) Adjust the height of table to user's comfortable position and then fix by knob with screw.
- 6) Check the lock of caster, release the lock to move and lock on the contrary.

Important Please keep caution and DO NOT touch the sharp in the end of hospital tube when assemble.

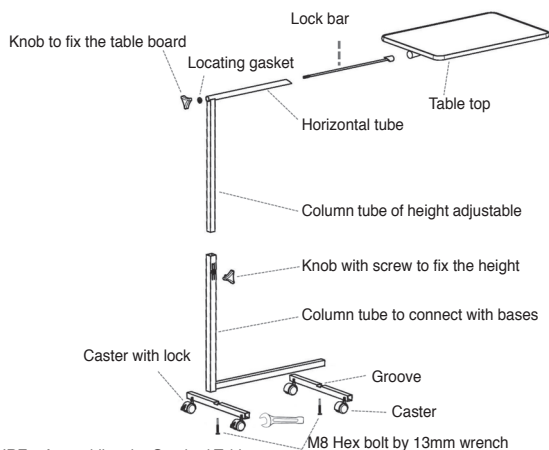


FIGURE 1 Assembling the Overbed Table

3.1 The overbed table is mainly composed of the following materials:

- Medium density fiberboard (Table top)
- Steel Pipe (Table frame)
- Fastener (Screw, Nut, Knob)
- Plastic (Tube plug, Castor)

4 Using the Overbed Table (Refer to the FIGURE 2)

- 1) Release the knob with screw to adjust the height and then tighten and fit when the table is at the desired height.
- 2) Release the knob with screw to let the board downward to the desired height or return to original / lowest position, then tighten and fit.

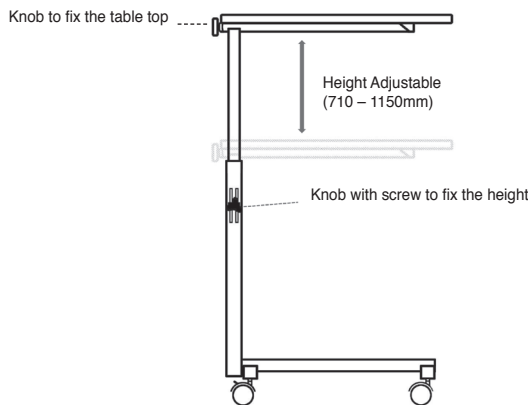


FIGURE 2 Using the Overbed Table

This table is designed for use as a movable patient/resident table top surface for reading, eating, or keeping small personal items such as glasses, telephone, or books within easy reach. This table is designed for indoor use ONLY within close proximity of skilled caregivers. It is not designed to hold electrical items (such as televisions, computer monitors, coffee pots, etc.) and should not be used near open flames and excessive heat. Maximum weight limitation for this product is 25 kg (55 lbs); weight should be evenly distributed over the table top surface to help maintain a stable condition. DO NOT overload the table as that could result in breakage, as well as damage to property and/or serious injury. Use ONLY as directed for its intended use. This product should NOT be used: as a sleep surface; as a walker or mobility aid to assist a person in walking, sitting down or standing up; to prevent or brace a person's fall; or to help transport persons or items.

5 Measurements (Unit: mm) (Refer to the FIGURE 3)

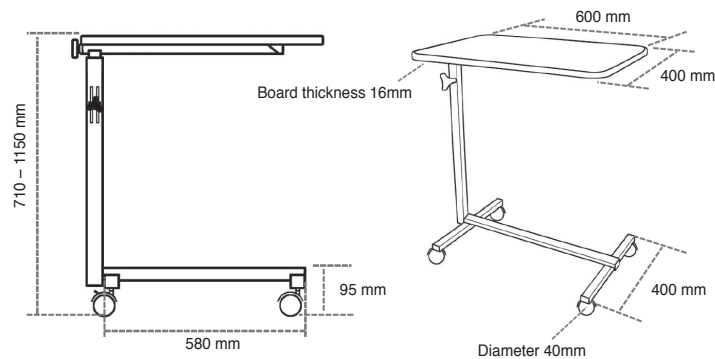


FIGURE 3 Measurements

6 Parameters

Parameter Name	L100
Overall length	640 mm
Overall width	406 mm
Overall height (Table top at lowest position)	710 mm
Horizontal static load	25 kg

Vertical static load	25 kg
Horizontal durability	10 kg
Vertical impact	10 kg
Net weight	6,9 kg
Gross weight	8,2 kg
Carton size	650 x 64 x 670 mm

7 Cleaning

Regular care and maintenance will prevent unnecessary wear and damage to your overbed table.

7.1 Metal surfaces

Though the metal frame with high quality powder coating to protect its surface, but for normal cleaning, it's better to use a dry and soft cloth or sponge to wipe down.

7.2 Plastics

For normal cleaning, wash plastic surfaces with a soft cloth, mild detergent and water. Rinse thoroughly and dry with a soft cloth. Do not use solvents or abrasive kitchen cleaners.

7.3 Table top

Gently wipe the table with a soft, clean, damp cloth. Do not use cleansers that may damage the table's finish. To wash more thoroughly, clean with mild soap and a little of water, and wipe up the water as soon as possible to keep the table top dry.

GIMA WARRANTY TERMS

The Gima 12-month standard B2B warranty applies.

GIMA 27448

Imported by:
Gima S.p.A.
 Via Marconi, 1 - 20060 Gessate (MI) Italy
 gima@gimaitaly.com - export@gimaitaly.com
www.gimaitaly.com
 Made in China

Manufactured by:
Suzhou Ideal Medical Co., Ltd.
 No. 88 Huachi Street,
 Suzhou Industrial Park,
 Suzhou (215000), Jiangsu, China

REF L100

