



# GIMA

PROFESSIONAL MEDICAL PRODUCTS

Gima S.p.A. - Via Marconi, 1 - 20060 Gessate (MI) Italy  
Italia: tel. 199 400 401 - fax 199 400 403  
Export: tel. +39 02 953854209/221/225 - fax +39 02 95380056  
gima@gimaitaly.com - export@gimaitaly.com  
[www.gimaitaly.com](http://www.gimaitaly.com)

## MAYO TABLE STAINLESS STEEL BASE AND PUMP

### User manual

---



**ATTENTION:** The operators must carefully read and completely understand the present manual before using the product.

---

We thank you for the trust you place in us in buying our products. Please read this manual carefully. It is purposely made available to inform you how to use it correctly in accordance with crucial safety requirements.

#### REGULATIONS

All models are produced in compliance with UNL regulations applicable, eliminating sources of potential risk to the user, should unintended collisions occur, such as cutting edges, sharp corners, work surface.

#### SAFETY

Use for purposes other than what it is intended for is not allowed.

The manufacturer declines all responsibility for damage caused by using the product the wrong or improper way, or in a way unforeseen in the current manual.

Replace worn or damaged parts in good time for safety reasons.

#### MAINTENANCE / CLEANING

The trolley does not require any particular maintenance, nevertheless the right tightening torque of all mobile parts must be checked before use.

- Normal detergents can be used to clean it, provided they do not contain chlorine or its composites. When cleaning it is important to follow the direction of the satin on the stainless steel, without exerting excessive pressure.
- If persistent stains occur, try using products specifically designed for stainless steel.

#### N.B.:

Do not use brillo pads to clean with or anything else which might scratch or cause abrasion. Avoid using hydrogen chloride or bleach. Do not leave iron objects on the surface for long periods of time.

#### ASSISTENCE

Should any of the component parts deteriorate beyond general maintenance, contact your distributor, they will be available to advise you on the most appropriate solution to every kind of problem.

#### WARRANTY

- This item is guaranteed for a period of 24 months from the date of invoicing.
  - The product development company guarantees the replacement of all the original parts should they, under normal conditions of use and maintenance of the product (thus excluding every kind of professional use), appear faulty from the production process in the incontestable view of the company's technicians.
  - The following are not covered by guarantees of this kind :
    - Damaged parts from normal and bad usage / maintenance of this item;
    - Damaged parts resulting from assemblage and usage not compliant with the regulations in this booklet.
  - It is understood that the warranty will automatically become invalid at any point at which the item is modified without the manufacturer's consent, or not-original parts have been built onto the product.
  - Moreover, the manufacturer declines all responsibility in the matter of civil responsibility deriving from improper use or non-compliance with the standards of use and maintenance.
-

- Guaranteed assistance will only be recognised if the request by the authorised retailer is made along with a stamped copy of this booklet.
- All the human resources and transport costs such as possible damage or losses incurred during the latter with be born by the user, as will also any costs for making adjustments or normal maintenance.
- We recommend checking immediately after purchase that the product is in a visibly good state and carefully reading the manual for use before using it.
- Every request for spare parts must specify the product model, purchase date and component number.

### WARNINGS

The information contained in this document are subject to modifications without notice having to be given.

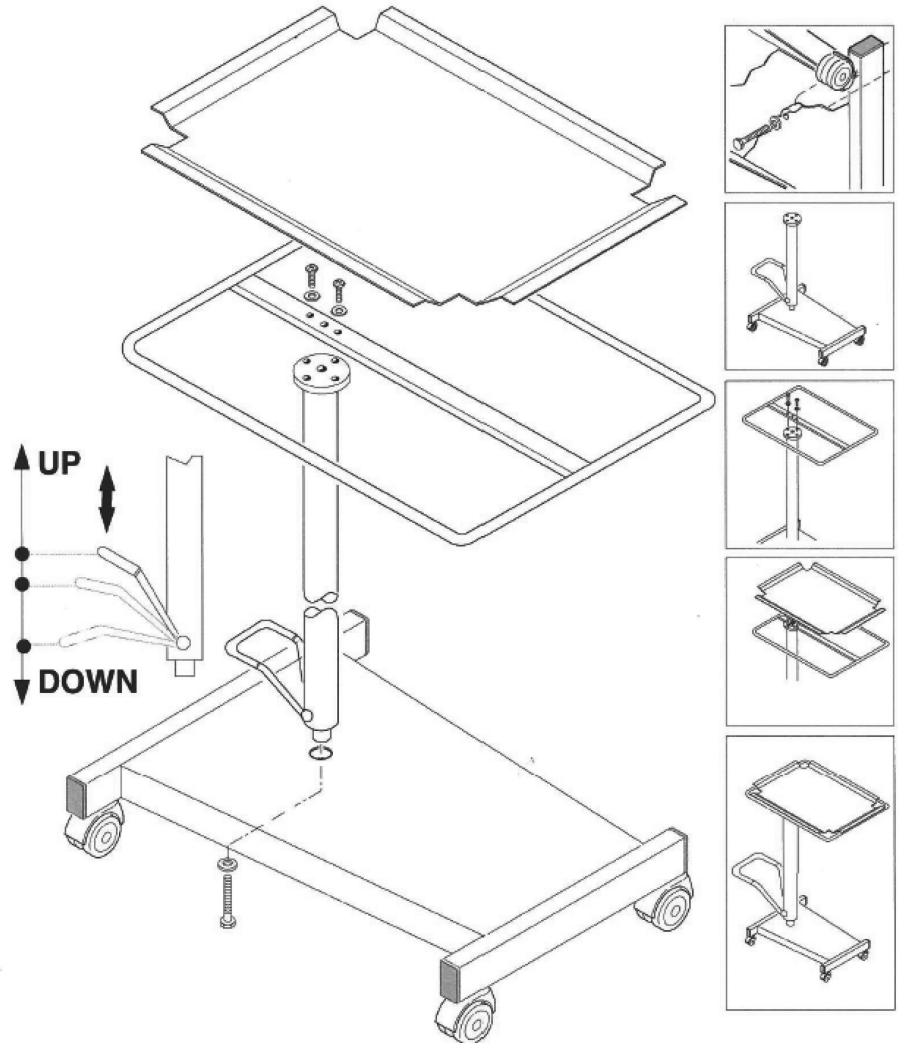
Disposal : the product described in this manual must be sent to specific companies to be demolished.

### GENERAL INFORMATION

Serving equipment trolley, adjustable in height, removable stainless steel tray AISI 304 with scotch brite finishing; structure bears tray with rolled bead fixed to the pump; pump with hydraulic movement for adjusting the tray height from 85cm to 120cm by means of a pedal. Stainless steel base AISI 304 with scotch brite finishing, with four, mirror-image projecting wheels with a diameter 50 mm. Unassembled model supplied as a kit.

**TABLE OF DIMENSIONS**

Dimension (L x P x H) cm	70 x 45 x 85 / 120
Dimension Surface (L x P x H) cm	70 x 45 x 1.8
Load x surface kg	40
Net weight kg	19.0
Gross weight kg	20.0
Volume M3	0.08
Number of necks	1
Packaging (L x P x H) cm	60 x 17 x 77



**REF** 27455



Gima S.p.A.  
Gessate (MI) - Italy  
Made in Italy

