



GIMA

PROFESSIONAL MEDICAL PRODUCTS

CARRELLI DELUXE
DELUXE TROLLEYS
CHARIOTS DELUXE
CARROS DELUXE
CARRINHOS DELUXE
DELUXE WAGEN
ΤΡΟΧΗΛΑΤΑ ΤΡΑΠΕΖΙΔΙΑ DELUXE

REF

27460 - 27461 - 27422

Distribuito da / distributed by / distribué par / distribuido por / distribuído por / Vertrieben von / Διανέμεται από:

Gima S.p.A.

Via Marconi, 1 - 20060 Gessate (MI) Italy
gima@gimaitaly.com - export@gimaitaly.com

www.gimaitaly.com

Made in Italy

Fabbricante / Manufacturer / Fabricant / Fabricante / Fabricante / Hersteller / Κατασκευαστής:

SCROSATI ARREDAMENTI METALLICI SRL

Via Vittorio Veneto 95, 21015 Lonate Pozzolo (VA)
scrosati@scrosati.com



PRODUCTS

- 27460 DELUXE TROLLEY
- 27461 DELUXE TROLLEY with drawer
- 27422 DELUXE TROLLEY with 2 drawers


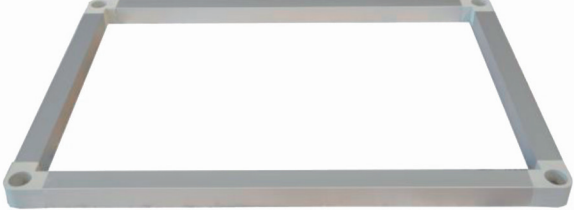





INTRODUCTION


You should carefully read this manual before using this medical device.

DESCRIPTION

This article is a high quality trolley made of light anodized aluminum alloy with removable shelves in stainless steel. It is a medication trolley for hospital use.

COMPONENTS:

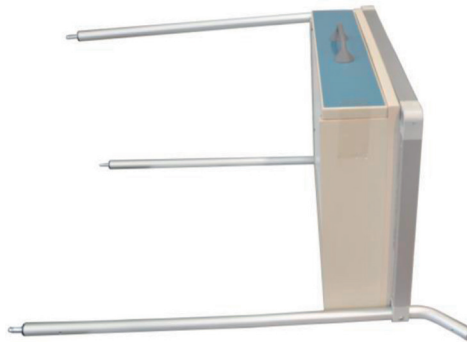
<p>N.1 upper frame with drawer (27461) 2 drawers (27422) or only frame with 2 trough holes (27460)</p>	
<p>N.1 lower aluminum frame</p>	
<p>N.2 stainless steel trays</p>	
<p>N.2 aluminum short front legs</p>	
<p>N.2 aluminum rear legs with curve for assembly of the push handle</p>	
<p>N.1 aluminum tubular to be inserted in the 2 angular junctions to assemble the push handle</p>	
<p>N.2 angular junction for push handle</p>	

N.4 wheels ø 80	
N.10 screw 6x20	
Allen key for assembly	

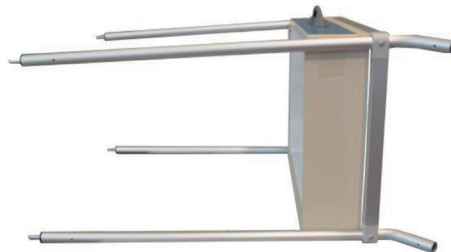
ASSEMBLY INSTRUCTIONS:

Prepare a sufficiently large shelf to work on.

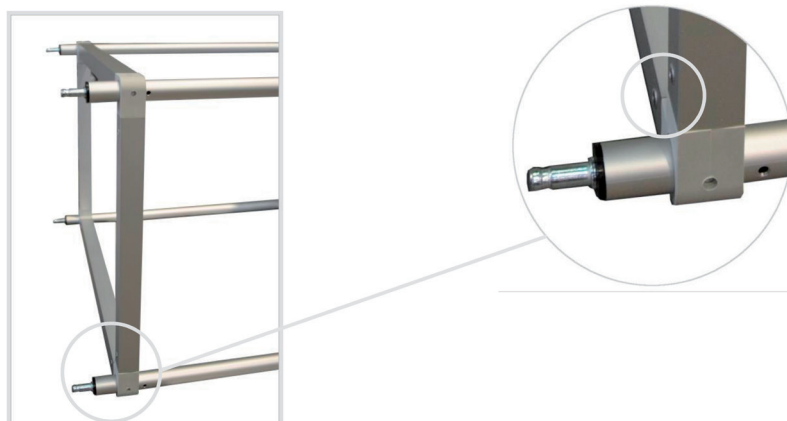
Insert the short front legs into the blind holes of the upper drawer/tray frame.



Insert the curved hind legs in the upper frame and fix with the screws using appropriate key.

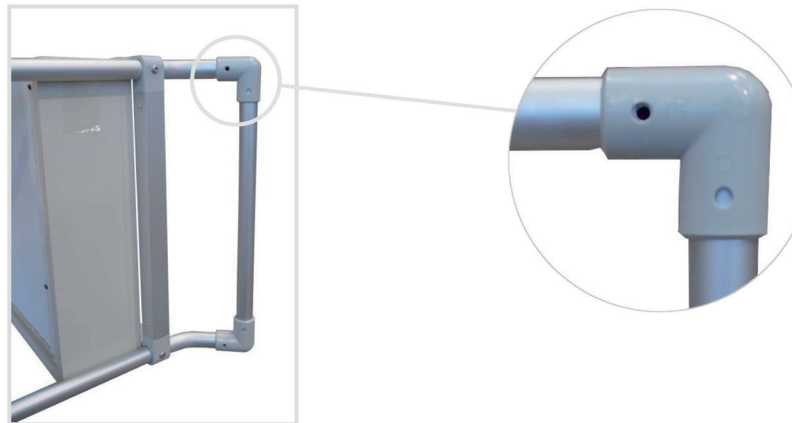


Insert the lower frame into the legs and fix them with screws, **taking care to position the visible rivets towards the wheel.**



Put the 4 wheels by pressing until it clicks.

Fit the push handle by inserting the tubular into the 2 plastic corner joints and insert them into the upper side of the curved legs.



Lastly, place the trolley on the ground and place the trays into supporting frames.

TECHNICAL DATA

	Cod. 27460	Cod. 27461	Cod. 27422
Measurement	Cm 50,5 x 73 x 97,5 h Tray 41 x 61 x 2,5 h Box cm 10,5 x 90,5 x 56	Cm 50,5 x 73 x 97,5 h Tray 41 x 61 x 2,5 h Drawer 62x42x10h Box cm 26 x 76 x 58	Cm 50,5 x 73 x 97,5 h Tray 41 x 61 x 2,5 h Drawer 62x42x10h Box cm 36 x 76 x 58
Weight	8,4 kg 9,4 kg with box	18.9 kg 20 kg with box	24.1 kg 25.4 kg with box
Max capacity	40 kg (20 kg max load for each shelf)	40 kg (20 kg max load for each shelf)	40 kg (20 kg max load for each shelf)

WARNINGS!

- Fasten the screws with the Allen key supplied.
- Check that locking nuts are tightened.
- Do not exceed the maximum capacity specified in the data sheets.
- Avoid direct contact with open wounds.
- Do not use outdoors.

MAINTENANCE AND CLEANING

- Use only original spare parts.
- Periodically check all fixing points.
- To preserve at best, it is recommended to avoid prolonged exposure to sunlight, contact with saline environments and storage in very humid environments.
- Extract the trays before cleaning.
- Wash the stainless steel surfaces with soapy water and use appropriate disinfectants.
- Rinse with a damp cloth and dry thoroughly.
- Do not spill on the surface cleaners containing chlorine or ammonia, fatty and oily substances.
- Do not use cleaning tools containing iron. If disinfection is necessary, use only suitable non-corrosive products.

GIMA WARRANTY TERMS

The Gima 12-month standard B2B warranty applies