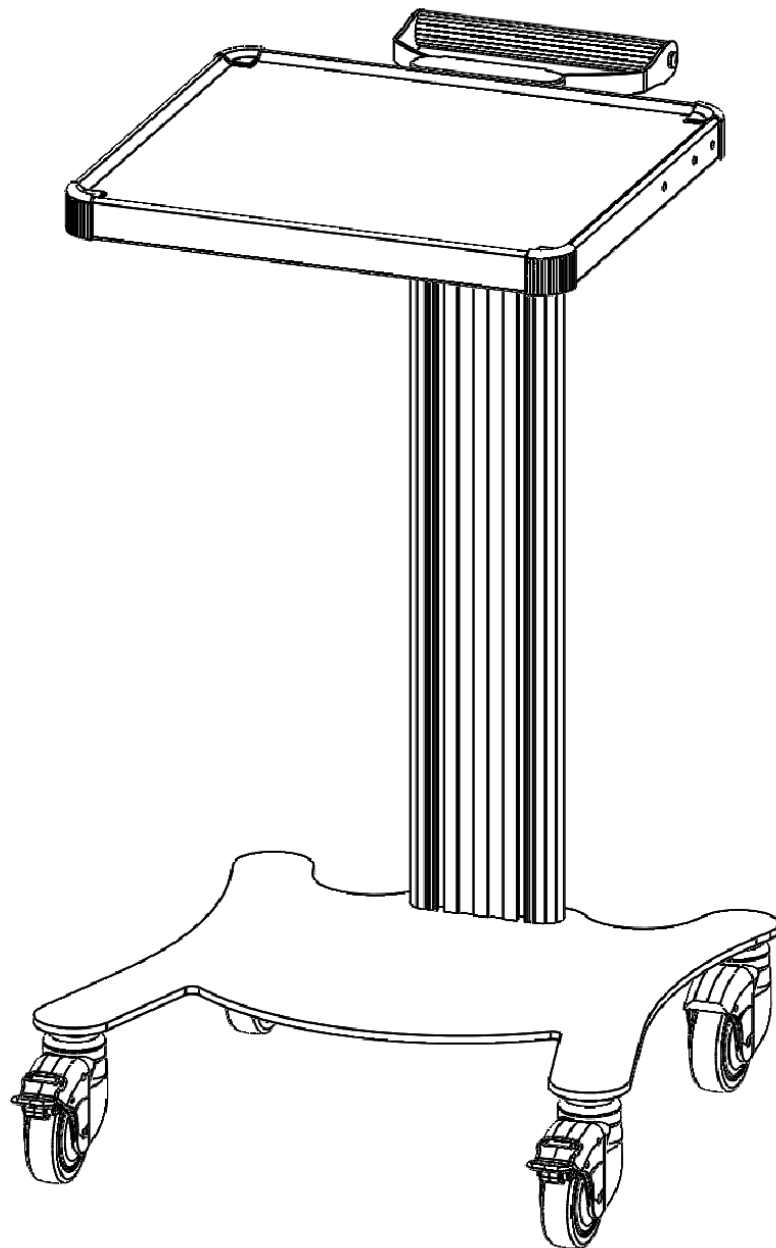


SB41140.X

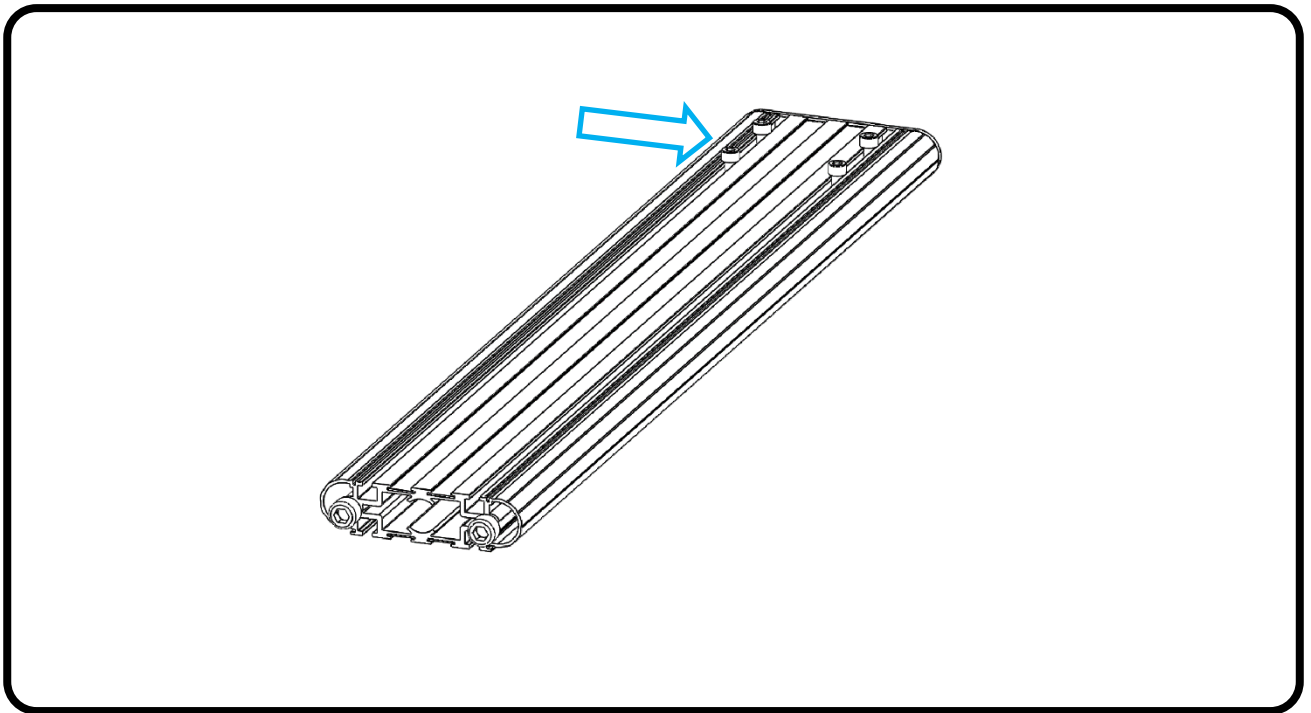
Assembly Instructions



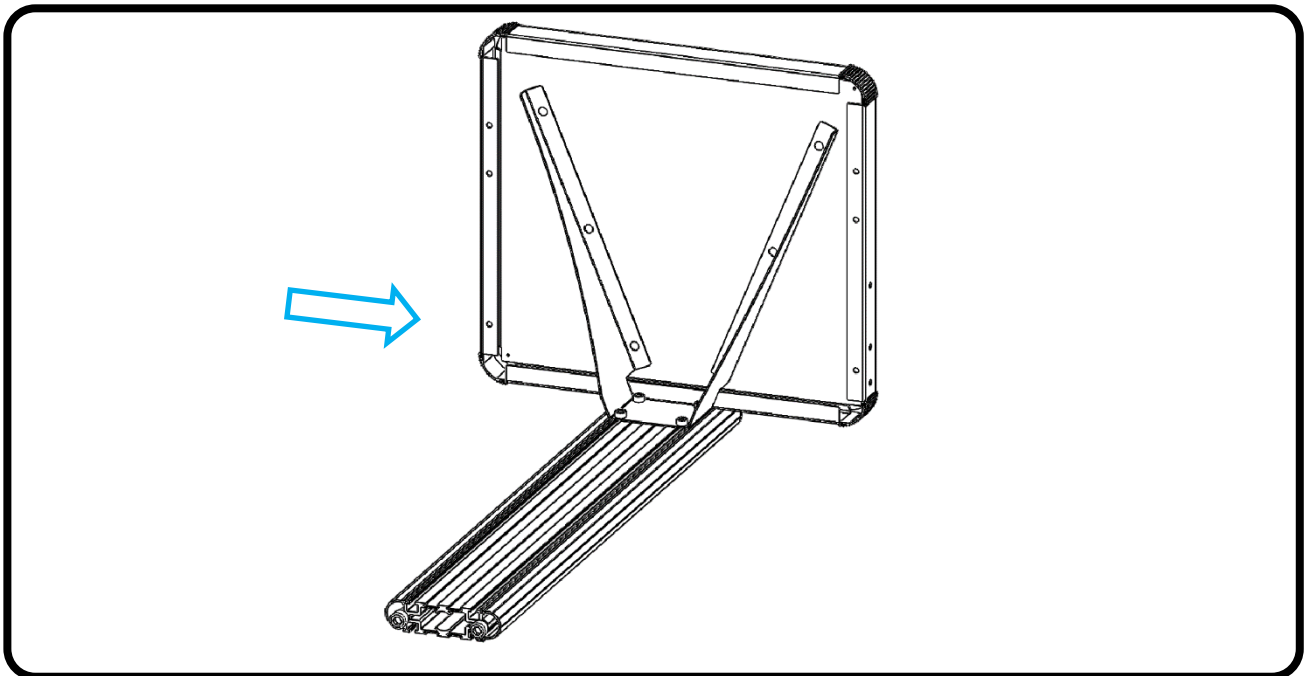
weiko[®]



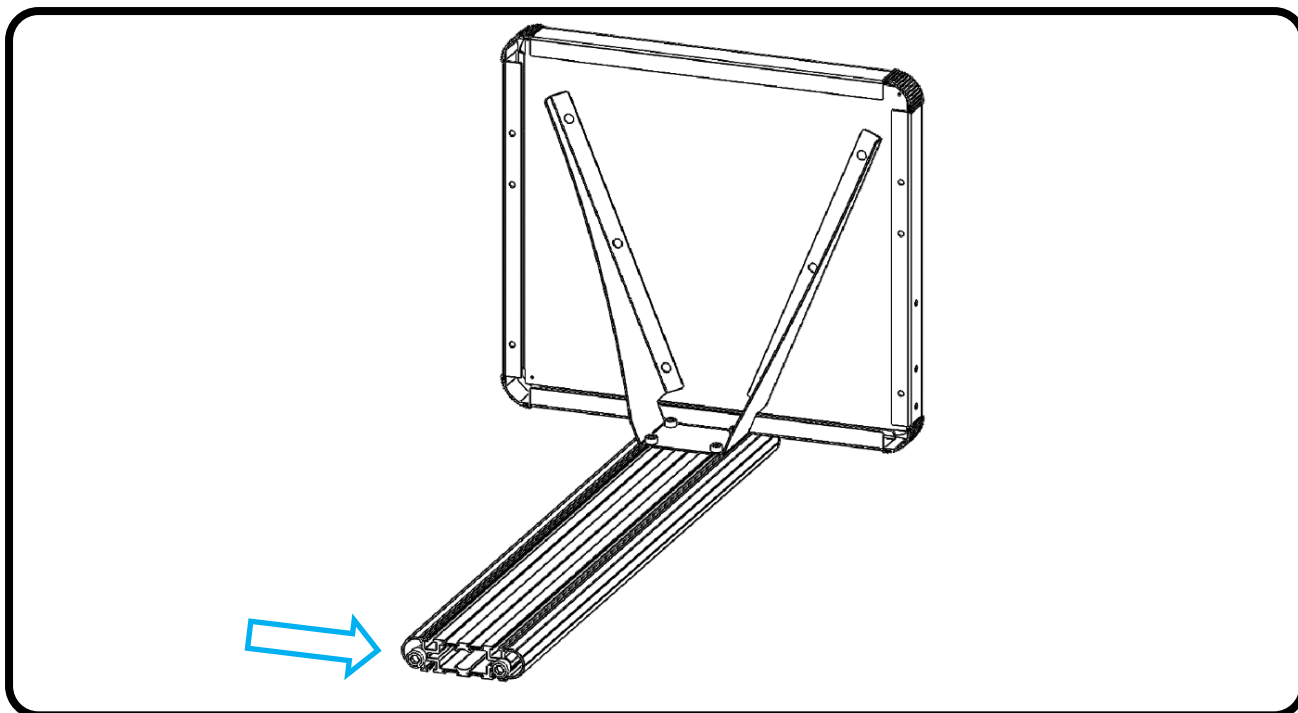
REG. NO: 1042- A
UNI EN ISO 9001: 2008
REG. NO: 1042- M
UNI CEI EN ISO 13485: 2012



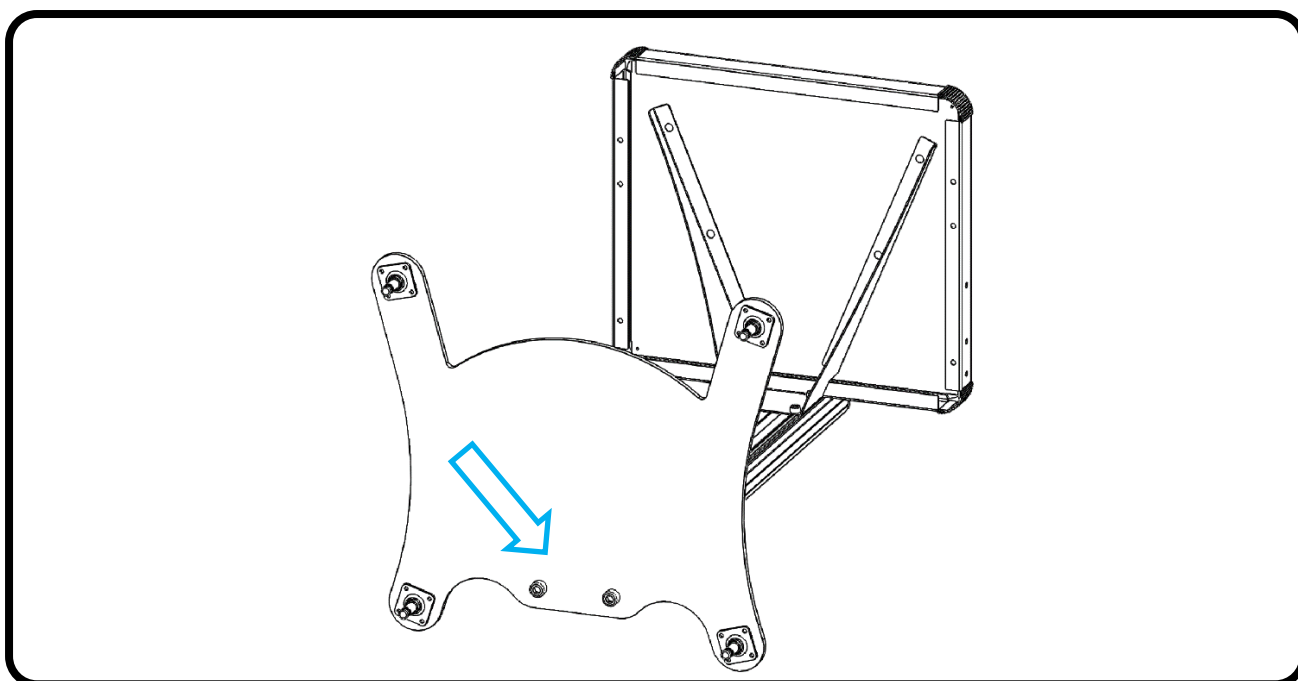
1. Put the column on the desk and unscrew 4 screws TCEI M6x10.



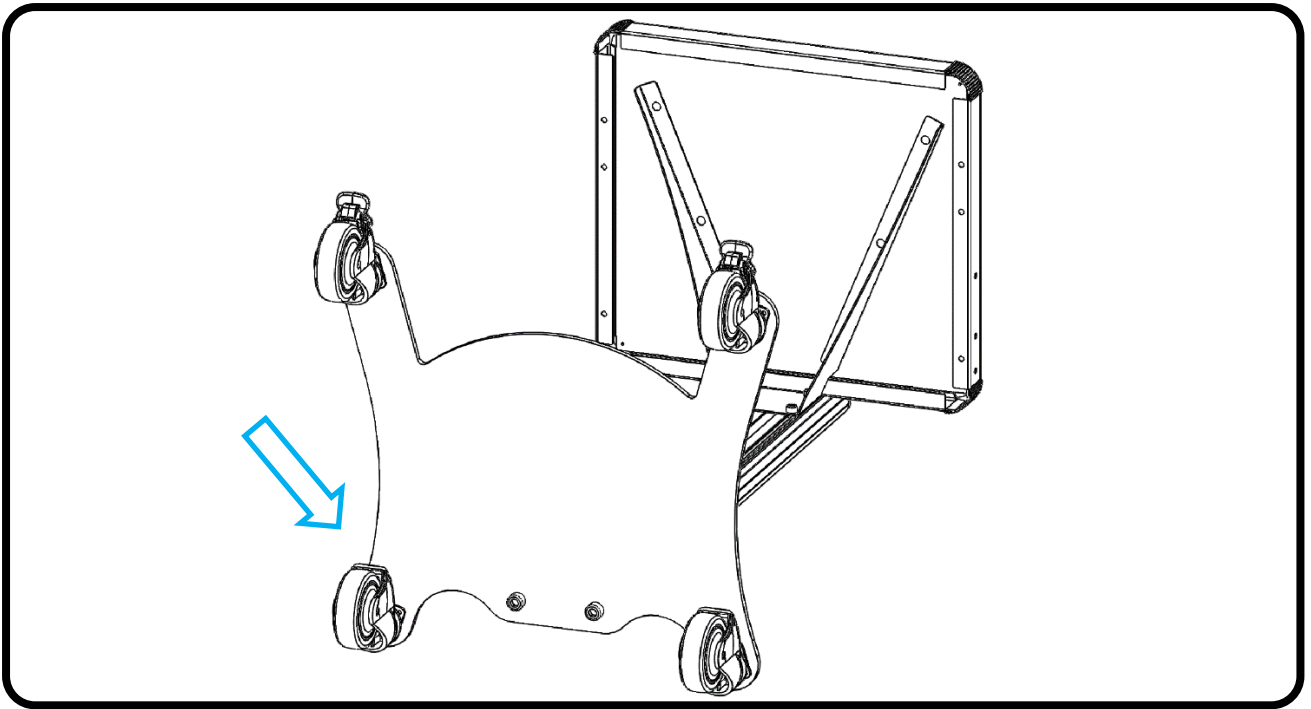
2. Put the shelves on the column and fix with 4 screws TCEI



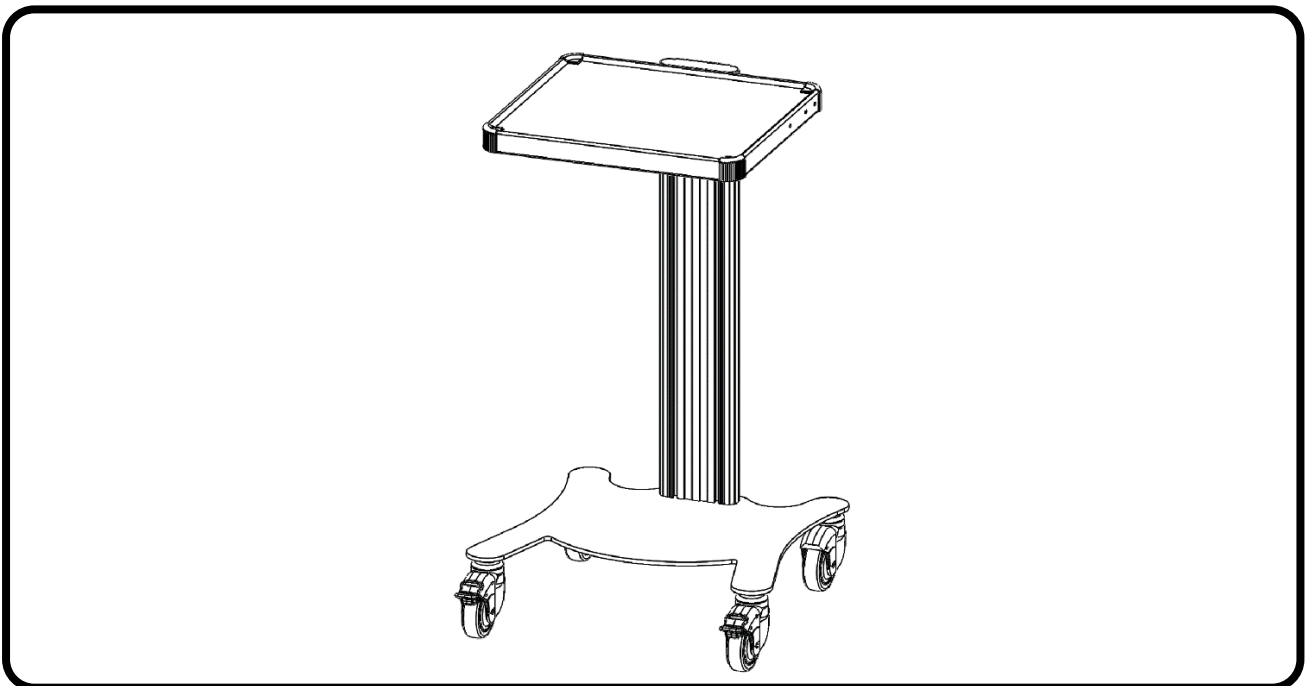
3. Unscrew 2 screws TCEI M10x40 under the column.



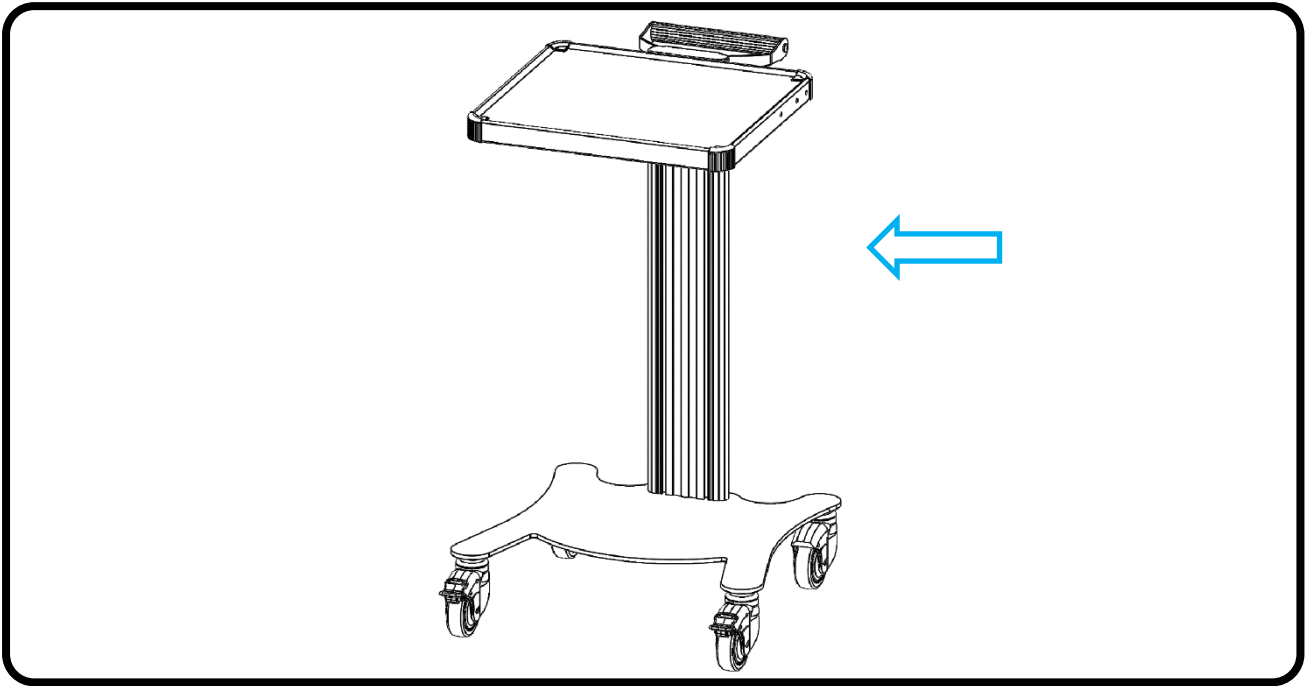
4. Put and fix the basis near the column with 2 screws TCEI



5. Insert the wheels into the pin under the basis.



6. Put the trolley to the floor.



7. Put and fix the back handle from the rear of the column with 2 screws TCBEI M6x10. The trolley is ready for use. Good job.

BIEFFE ITALIA S.r.l.

weiko[®]

Head Office: Viale Lincoln, 178 - 81100 Caserta (Italy)

Factory: Consorzio Siné

Zona ASI Aversa Nord 81032 Carinaro (CE)

Tel: +39 081 8654662 Fax: +39 081 8654723

bieffeita@libero.it - www.weiko.com