



GIMA

PROFESSIONAL MEDICAL PRODUCTS

LETTINI PER CENTRI BENESSERE

BEAUTY BEDS

LITS DE SOINS ESTHÉTIQUES

CAMILLAS DE BELLEZA

REF 2205 (GIMA 28005, 28006)

Fabbricante / Manufacturer/Fabricant/Fabricante/Fabricante

SILVERFOX CORPORATION LIMITED

No. 18, 1st TongLe Road, TangXia Town, Pengjiang District, JiangMen City, GuangDong Province, China

amy.liang@silverfox.cn

Made in China

Importato da / Imported by / Importé par / Importado por:

Gima S.p.A.

Via Marconi, 1 - 20060 Gessate (MI) Italy

gima@gimaitaly.com - export@gimaitaly.com

www.gimaitaly.com



1 ABOUT THIS MANUAL

This manual shall only be used for the reference of operation of this particular model. If the manual is used for other purposes, we will not undertake any according consequences and responsibility.

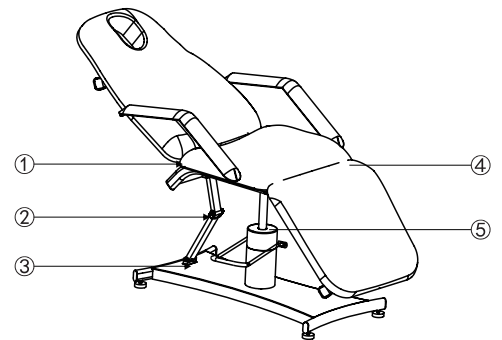
All information of this manual shall be protected by copyright and shall not be copied and translated in any part of this specification without the written consent of manufacturer.

2 WARNING

- Do not stand on this equipment.
- Do not allow children to play with and place the equipment in a place where children can touch. Please adjust the backrest to the highest position when you leave.
- Do not place the product in humid environment, to prevent failures.
- Please do not place and operate the equipment in places where is painting/coating or supplying oxygen.
- Unless being monitored or instructed by personnel who can be responsible for their personal safety, the people who have physical obstacles, tactile disorders, mental disorders, lack of experience, common sense or children, are not allowed to use the equipment.
- Please make sure there is no accessible thing within the stroke during any operation of the beds.
- Operation should be processed by trained professionals.

3 PRECAUTIONS

- The equipment should be in charge by an experienced person who must be familiar with the product structure, performance and use methods. And make the regular maintenance work.
- Read this manual carefully before installation, operation and adjustment. And please keep it well.
- This product shall not be used for single side or single point loading work.
- Comply with safety operation rules, do not overload the product, ensure that the product safety protection equipment is complete and reliable, to eliminates unsafe factors on time.
- Tighten bolts and nuts regularly to avoid failure caused by loose, sliding, vibration and falling parts.
- During the maintenance, the operator shall not disassemble any parts of the bed at will.
- This product is not allowed to operate when it's with fault. If abnormal phenomenon or abnormal sound is found, it must be stopped for inspection immediately, and work can be resumed after troubleshooting.
- The operator must be familiar with the precautions described in each section of the manual to ensure the safety of person and product.
- Please operate the equipment strictly according to the warning label pasted to the products.
- Maintenance should be processed by trained professionals.
- After each treatment, please use neutral reagent to clear the dust, stains on leather or on wood pieces.
- When adjusting the backrest, seat cushion, footrest or lifting of the whole bed by hand controller or installed foot controller, please keep your hands, feet and head away from the position as the below arrow shown. (Please see right picture)



4 APPLICABLE RANGE

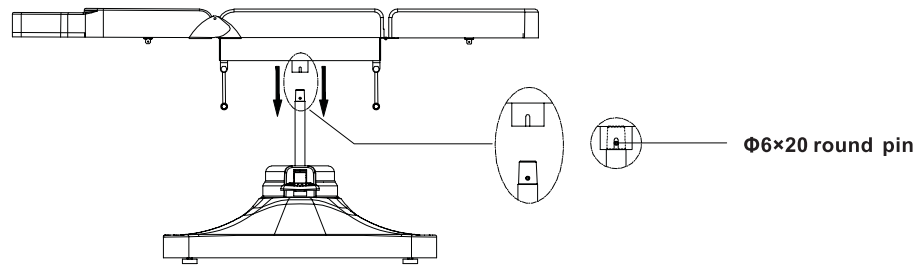
These beauty beds are suitable for beauty, massage and manicure treatment.

5 INSTALLATION

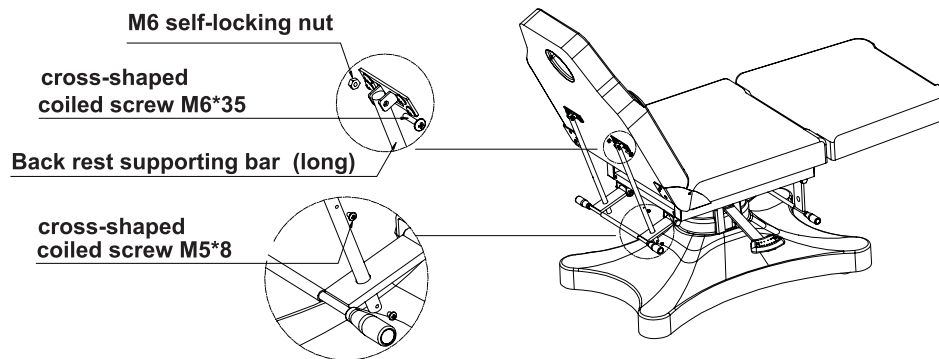
1. Put the bed to a proper location according to the overall layout, the daylighting or artificial lightings and operation condition of the salon's or the home. And keep it in clean, dry and cool environment.
2. Open the packing carton to check if the bed is intact and whether the accessories or spares are complete. Please contact distributor or manufacturer if there's any problem.
3. Installation Guide for Beauty Bed
Place the bed to the proper position. Please note that it is unnecessary to install extra screw on the floor to fasten the bed, because the original design has taken the stability performance into consideration. But please ensure the bed is placed on a firm and flat ground, so as to prevent any accident. If the bed rotates or slant due to rough ground, please adjust the four pieces of plastic feet (M10x30) and nuts (M10) by hexagon open-end wrench, which are fasten on the bottom panel, so as to ensure the bed is stable.

No motor Installation procedure

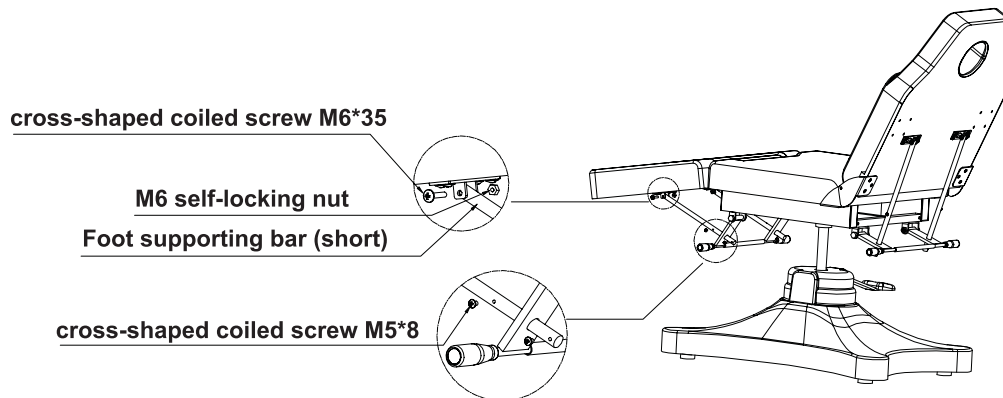
Pic 1



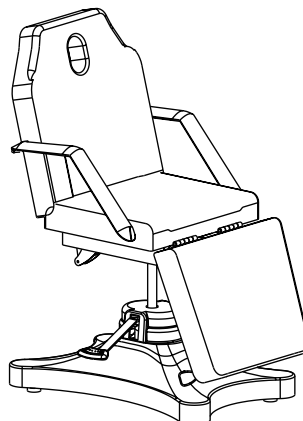
Pic 2



Pic 3

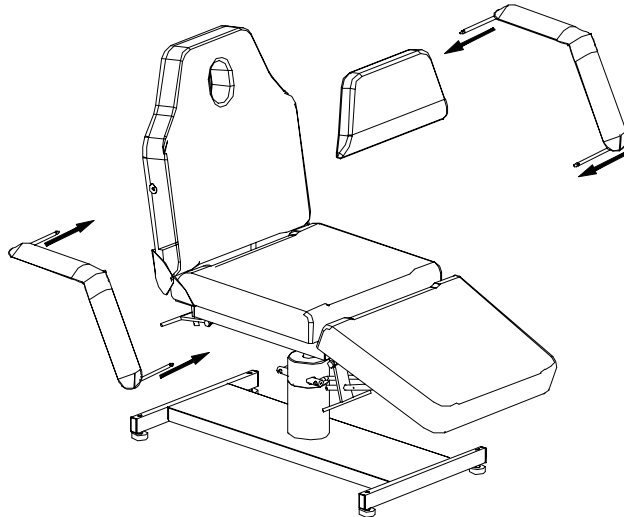


Pic 4



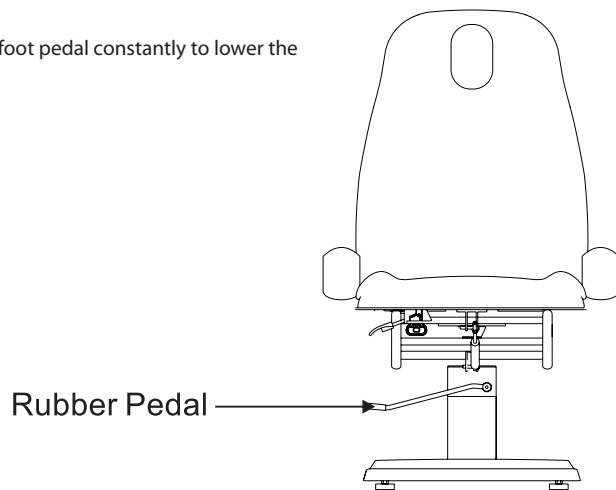


Install the armrest as illustration below



Height adjusting

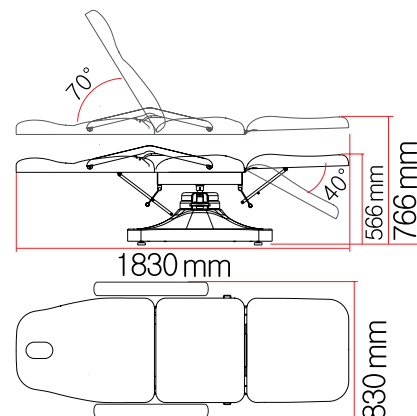
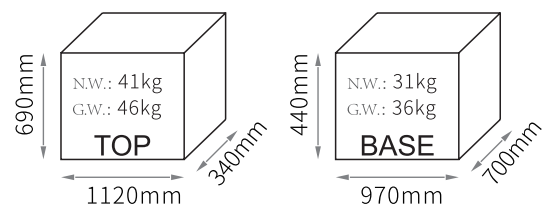
1. Step on the foot pedal slightly to raise the whole bed. Step on the foot pedal constantly to lower the whole bed.
2. Push the pedal to the highest position for making the bed fixed.



6 TECHNICAL PARAMETERS

Environment Temperature	0°C--+40°C
Relative Humidity	30%~90%
Lifting Rated Load	175 kg

Package size



7 MAINTENANCE

1. After every treatment, please use neutral reagent to clear the dust, stains on leather or the plastic cover. This is to prevent premature aging of the leather and plastic cover.
2. Please lubricate the moving parts regularly (once a year)

8 TROUBLESHOOTING

Abnormal Sound	1. The rotating parts are short of lubricating oil	1. Add lubricating oil
	2. Rotating positions (such as hinge, POM sets) are short of lubricating oil	2. Add lubricating oil

If problem is still not solved after above operation, please contact maintenance center or supplier to solve it.

GIMA WARRANTY TERMS

The Gima 12-month standard B2B warranty applies.