



# GIMA

PROFESSIONAL MEDICAL PRODUCTS

---

## ***APPARECCHIATURA PER PEDICURE E MANICURE PEDICURE & MANICURE EQUIPMENT***

---

**REF** 2231B (28020)

Importato da / Imported by:

**Gima S.p.A.**

Via Marconi, 1 - 20060 Gessate (MI) Italy

[gima@gimaitaly.com](mailto:gima@gimaitaly.com) - [export@gimaitaly.com](mailto:export@gimaitaly.com)

[www.gimaitaly.com](http://www.gimaitaly.com)

Made in China



## 1 ABOUT THIS MANUAL

This manual shall only be used for the reference of operation of this particular model. If the manual is used for other purposes, we will not undertake any according consequences and responsibility.

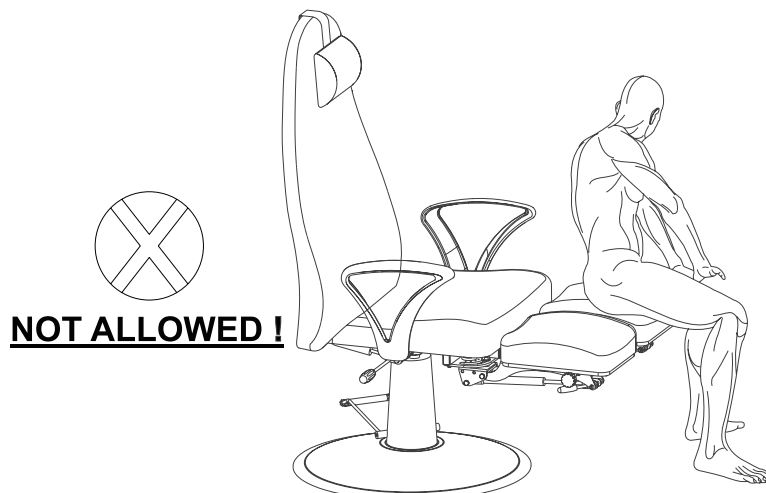
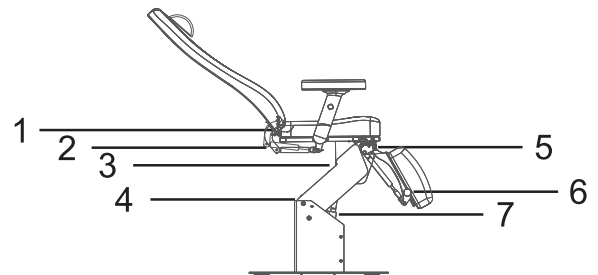
All information of this manual shall be protected by copyright and shall not be copied and translated in any part of this specification without the written consent of manufacturer.

## 2 WARNING

- Power supply must be cut off when changing electrical components or maintaining and cleaning machines.
- The plug must be plugged into an outlet that is properly installed and grounded, to prevent the risk of fire and electric shock.
- Do not stand on this equipment.
- Do not allow children to play with and place the equipment in a place where children can touch. Please adjust the backrest to the highest position when you leave.
- Please do not place the equipment in wet places such as bathroom to avoid electric shock or other failure; Controllers should also avoid contact with water.
- Please do not place and operate the equipment in places where is painting/coating or supplying oxygen.
- Unless being monitored or instructed by personnel who can be responsible for their personal safety, the people who have physical obstacles, tactile disorders, mental disorders, lack of experience, common sense or children, are not allowed to use the equipment.
- Please contact distributor, service center or related personal with appropriate skill and experience for repairing if the plug is damaged, in case of any danger.
- Please make sure there is no accessible thing within the stroke during any operation of the beds.
- Operation should be processed by trained professionals.

## 3 PRECAUTIONS

- The equipment should be in charge by an experience person who must be familiar with the product structure, performance and use methods. And make the regular maintenance work.
- Read this manual carefully before installation, operation and adjustment. And please keep it well.
- This product shall not be used for single side or single point loading work.
- Comply with safety operation rules, do not overload the use of products, to ensure that the product safety protection equipment is complete and reliable, eliminates unsafe factors on time.
- Tighten bolts and nuts regularly to avoid failure caused by loose, sliding, vibration and falling parts.
- During the maintenance, the operator shall not disassemble any parts of the bed at will.
- This product is not allowed to operate when it's with fault. If abnormal phenomenon or abnormal sound is found, it must be stopped for inspection immediately, and work can be resumed after troubleshooting.
- The operator must be familiar with the precautions described in each section of the manual to ensure the safety of person and product.
- This electric beauty bed is equipped with a three-wire power cord. The power cord must be plugged into a three-hole outlet which is properly installed and grounded. This is not only to prevent the risk of electric shock, but also ensure bed work properly.
- Please operate the equipment strict accordance with the warning label pasted to the products.
- While controlling the lifting of the whole bed, the button must be pressed continuously until the bed in a suitable position.
- Please pay attention that the continuous working times should be Max. 2Min. ON ; 18Min. OFF, when operating the motor.
- Maintenance should be processed by trained professionals.
- After each treatment, please use neutral reagent to clear the dust, stains on leather or on wood pieces.
- When adjusting the backrest, seat cushion, footrest or lifting of the whole bed by hand controller or installed foot controller, please keep your hands, feet and head away from the position.  
(Please see right picture)





#### 4 APPLICABLE RANGE

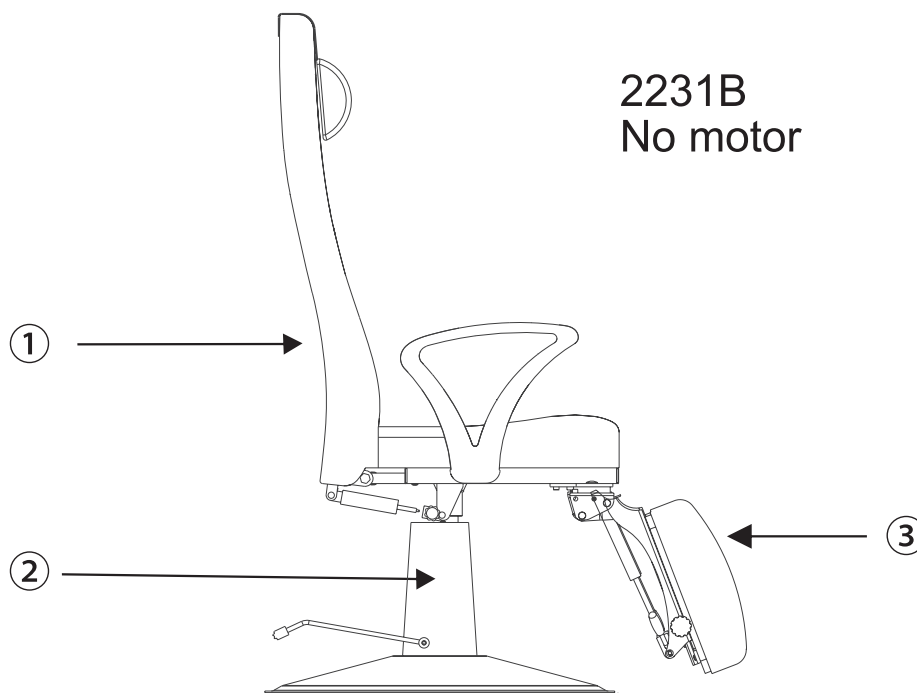
These product are suitable for beauty, massage and manicure treatment.

#### 5 INSTALLATION

1. Put the bed to a proper location, according to the overall layout, the daylighting or artificial lightings and operation condition of the salon's or the home. And keep it in the clean, dry and cool environment.
2. Open the packing carton to check if the bed is intact and whether the accessories or spares are complete. Please contact distributor or us if there's any problem.
3. Installation  
Please ensure the bed is placed on a firm and flat ground, so as to prevent any accident.

#### 6 STRUCTURE OF THE BEAUTY BED

- This beauty bed includes angle adjustment of the backrest, angle adjustment of the footrest cushion, and lifting adjustment of the whole bed which is an overall and integral structure. (Details as shown below).

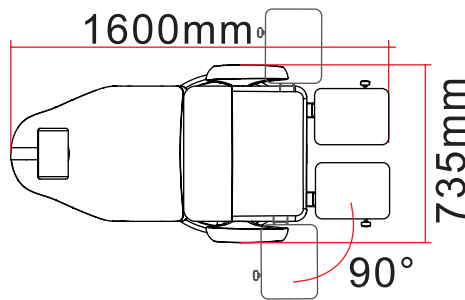
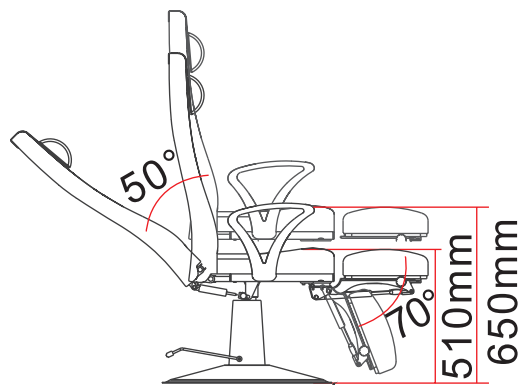
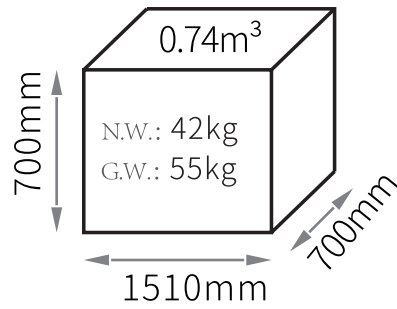


- ① angle adjustment of the backrest (manual adjustment)
- ② lifting adjustment of the whole bed (manual adjustment)
- ③ footrest angle adjustment (manual adjustment)

#### 7 TECHNICAL PARAMETERS

Environment Temperature	0°C~+40°C
Relative Humidity	30%~90%
Lifting Rated Load	175 kg

## 2231B/No motor



### 8 MAINTENANCE

1. After every treatment, please use neutral reagent to clear the dust, stains on leather or the plastic cover. This is to prevent premature aging of the leather and plastic cover. After every treatment, please only use neutral solution to clear the leather. Disinfecting solution like alcohol, acid or alkaline solution are forbidden.
2. Please lubricate the moving parts regularly (once a year).

### 9 TROUBLESHOOTING

THE FAULT PHENOMENON	REASON	SOLUTION
Abnormal Sound	1. The rotating parts are short of lubricating oil.	1. Add lubricating oil.
	2. Rotating positions (such as hinge, POM sets) are short of lubricating oil.	2. Add lubricating oil.

If problem is still not solved after above operation, please contact maintenance center or supplier to solve it.

### GIMA WARRANTY TERMS

The Gima 12-month standard B2B warranty applies.

