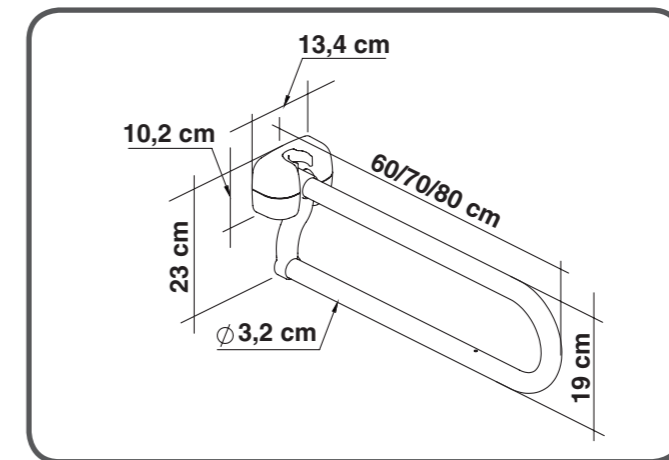

U-SHAPE POWDER COATED STEEL FOLDING BAR - 70 CM
BARRA PIEGHEVOLE IN ACCIAIO VERNICIATO A POLVERE SAGOMATA A U - 70 CM
BARRE PLIANTE EN ACIER ENDUIT DE POUDRE EN FORME DE U - 70 CM
BARRA PLEGABLE DE ACERO CON RECUBRIMIENTO EN POLVO EN FORMA DE U - 70 CM
U-FÖRMIGE KLAPPBARE STANGE AUS PULVERBESCHICHTETEM STAHL – 70 CM
ΠΤΥΣΣΟΜΕΝΗ ΜΠΑΡ ΑΠΟ ΑΤΣΑΛΙ ΜΕ ΕΠΙΚΑΛΥΨΗ ΠΟΥΔΡΑΣ ΣΕ ΣΧΗΜΑ U - 70CM


ENGLISH

INTENDED USAGE:

The products of the KING Folding Bar line allow the user to increase independence and stability during the daily use of the bathroom or the toilet bowl more specifically. They work as a robust and safe handle, on which the user can hold on to relieve part of the body weight from the legs, reducing muscle fatigue due to standing position as well as slip and injuries risks. After use, the folding bar can be easily put back in vertical position and locked by its safety hook, preventing accidental falls in horizontal position. The folding bar is available in different materials and length, and thanks to the folding and locking mechanisms, it is suitable also for compact bathrooms. The folding bar can be provided with roll holder, keeping it in a more accessible position and avoiding spine twisting movements to reach it.

INDICATIONS AND CONTRAINDICATIONS:

The KING Folding Bar is aimed towards elderly people, wheelchair users and to all those who need a further support during the use of the bathroom. The user is required to have sufficient ability to grip firmly the folding bar as well as sufficient autonomy.

SAFETY WARNING AND INDICATIONS:

- The maximum user weight indicated in the fitting instructions must not be exceeded.
- Before every use, be sure the folding bar is firmly fixed to the wall.
- During assembly, strictly adhere to what is shown in the User Manual.
- Do not modify the folding bar in any way.
- Do not use the folding bar if damaged or altered in any way. Cracks and deformations may strongly affect the performances and safety of the device.
- Do not touch the folding bar with greasy hands. Slippery surface may reduce the grip and could cause a fall.
- Do not use the folding bar for a different purpose from the intended one: it must not be used to replace a stair.
- The folding bar must not be stored outdoors.
- Do not place your head or arms in the U-shaped tube, some entrapment risk may occur.
- Do not place your hands and fingers close to the folding mechanism, always move the bar by grabbing the U-shaped tube only.
- Always lead the bar gently when moving it from vertical to horizontal position and vice versa.

MAINTENANCE INFO:

The products maintenance consists of the cleaning and sanitation procedures. In order to guarantee a safe use and adequate standard of hygiene, the user should perform these procedures before every use.

The user has to make certain of the structural integrity of the device and its components and the tightness of the screws must be checked. For cleaning and sanitation procedures, follow the steps below:

1. Gloves should be worn.
2. Remove the evident dirt before to proceed with the most accurate disinfection.
3. Use water or non aggressive detergent for the cleaning procedure.
4. Wipe with a dry and clean cloth.

REUSE REQUIREMENTS:




The product is suitable for reuse by other users. Before reuse by others, the product must be correctly cleaned and sanitized. Before the transfer of the product to others, the product must be checked by qualified dealers.

CORRECT DISPOSAL PROCEDURE:

Do not dispose of the product in the normal household waste. Ask your local authority beforehand for the correct and environmentally friendly way to dispose it.

INCIDENT REPORTING:

If there was a serious incident involving this device, contact the manufacturer of this product at info@imglobaldesign.com and the responsible authority in your country

REF	Product code	LOT	Lot number
CE	Medical Device compliant with Regulation (EU) 2017/745		Manufacturer
SN	Serial number		Date of manufacture
MD	Medical Device		Consult instructions for use

GIMA WARRANTY TERMS

The Gima 12-month standard B2B warranty applies.