

COLPOSCOPE COLPY

User manual



Contents

<i>I. Safety notes</i>	<i>pag. 3</i>
<i>II. Description</i>	<i>pag. 4</i>
<i>III. Assembly</i>	<i>pag. 5</i>
<i>IV. Using</i>	<i>pag. 6</i>
<i>V. Maintenance-Care</i>	<i>pag. 6</i>
<i>VI. Electrical parts</i>	<i>pag. 7</i>
<i>VII. Specifications</i>	<i>pag. 7</i>
<i>VIII. Optional Accessories</i>	<i>pag. 8</i>

I. Safety notes

Within this user manual are used these two symbols:



Information about hazards causing death, heavy physical injuries and psychological diseases or heavy material damage.



Information about hazards causing low physical injuries and psychological diseases or material damage.



Make absolutely sure that the instrument is operated at the main voltage indicated on the type plate at the bottom of the light source unit!



Always disconnect power plug before pulling out the lamp holder or opening the light source!



Repairs not described in this document must be carried out only by qualified workshops!



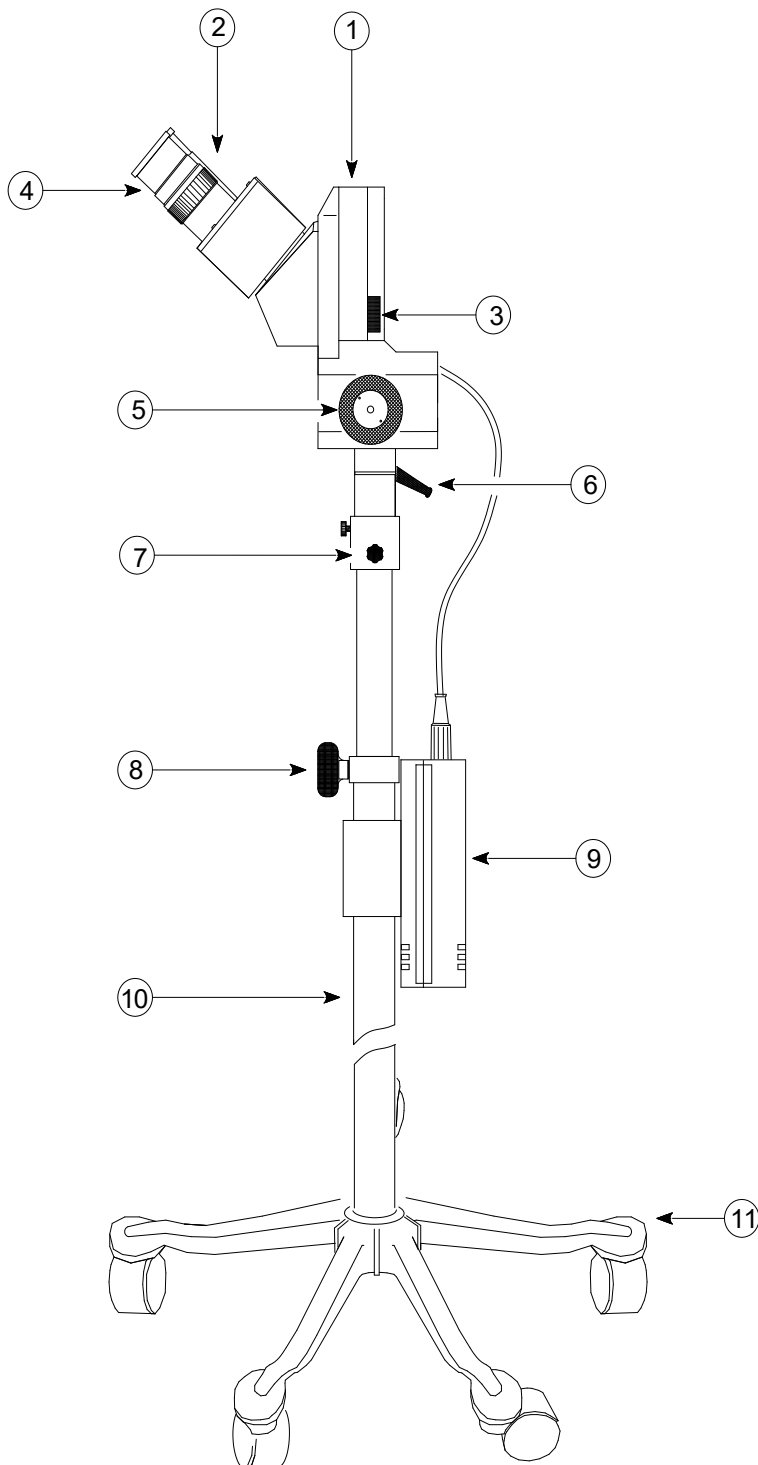
This instrument has not been approved for operation in areas subject to explosion hazards!



Before power on the instrument, check if the electrical system is earthed!

The manufacturer is not liable for any damage caused by the non-compliance with the above hints!

II. Description



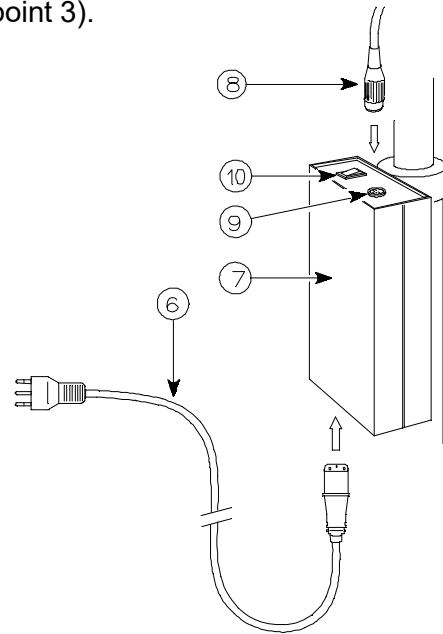
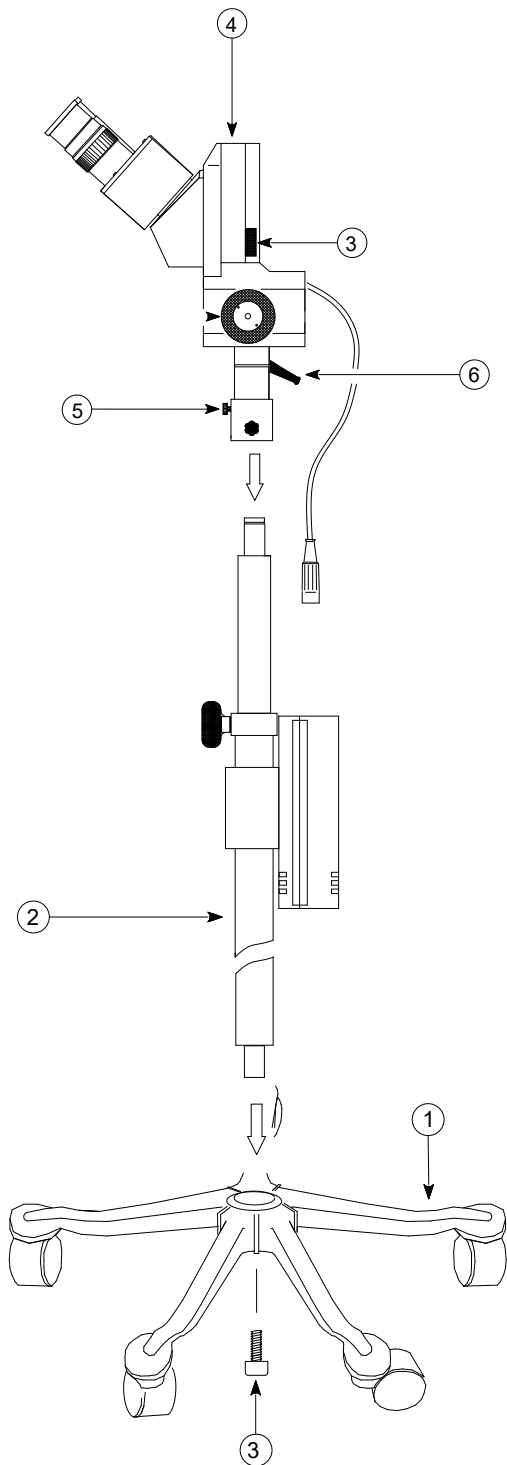
1. Optical body
2. Diopter compensation
3. Green filter
4. Oculars
5. Focusing knob
6. Tilt tension adjustment knob
7. Pan tension adjustment knob
8. Height adjustment knob
9. Power unit
10. Stand
11. Base

fig. 1

III. Assembly



Before loosening the knob (8) (Fig. 1) assemble the optic head and the stand (see point 3).



- 1 Insert the stand (2) (fig.2) on the base (1) fixing it with the screw (3) (use the wrench standard supplied)
- 2 Assemble the optical body (4) to the stand screwing in the small grip handle (5)
- 3 Connect the plug (8) in the socket (9).



Verify that the mains voltage is the same prescribed in the specifications.

- 4 Connect the power cable (6) to the power unit (7) and therefore to the mains supply.

fig. 2

IV. Using

1. By (8) knob fig.1, set the wished vision height.
2. Regulate the pan-tilt resistance with the (6-7) knobs, fig. 1.
3. Turn "ON" the power unit (10) fig. 2 .
4. Using a plane surface object to observe, set the colposcope at an approximate focus position. Find the best focus image with focusing knob (5) fig.1.
5. Set the correct interpupillary distance removing or approaching the eyepieces with both the hands until the two images overlap in one circle.
6. Diopter compensation: focus on the object looking through the left eyepiece. Looking through the right eyepiece focusig the object turning the diopter compensation ring (2) fig.1.

V. Maintenance – Care

Fuses replacing

Pull out the power cord from the power unit and open the fuses shell as shown in (1) fig.3



Warning: Use only fuses complying with the original. See Specifications.

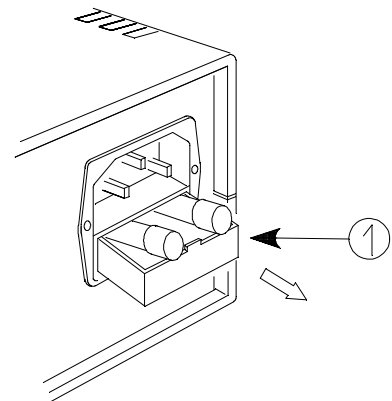


fig.3

Care

- The quality of the image depends mostly on the cleanliness of the eyepieces and of the front protection filter. To remove dirty from these, use a soft paintbrush. For persistent spots it is advise to use a wed of cotton wool soaked in alcool.

The mechanical parts can be cleaned with up with a soft paint-brush. Keep the colposcope far from corrosive substances.

Always keep the colposcope covered with its dust cover when not in use.

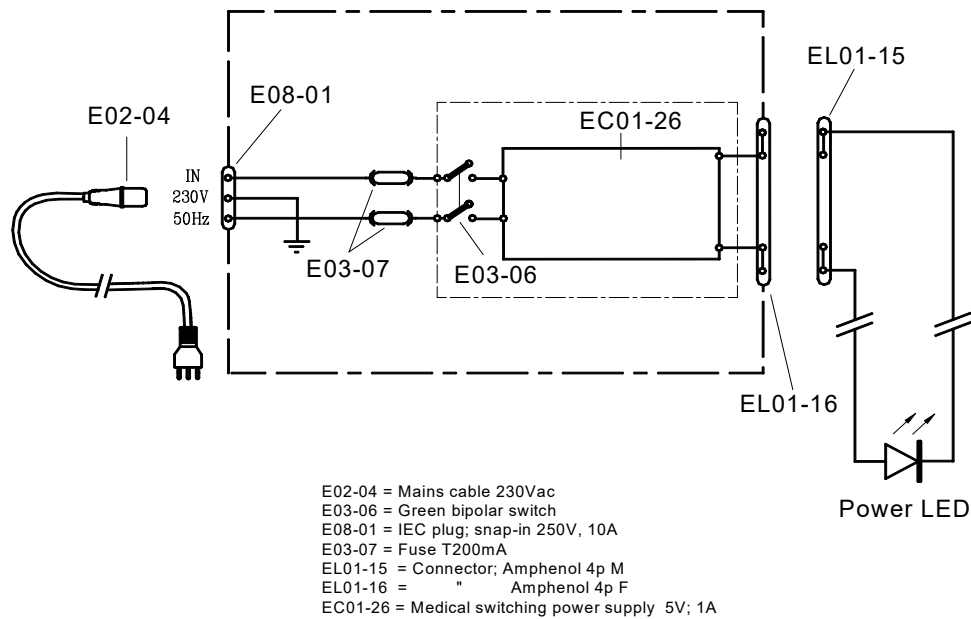
The quality of the materials employs in the construction will guarantee the best performances for several years. If Your instrument have not to work correctly, don't hesitate to contact Your CENTREL agent.




REPORTING SERIOUS INCIDENTS

Report any serious incident that has occurred in relation to the device to the manufacturer and the competent authority of the Member State where the user and/or the patient is established.

VI. Electrical part



VII. Specifications

Eyepieces	10x	15x
Magnification	6,2	9,3
Field of view	35mm	24mm
Working distance	280mm	
Interpupillary distance	48 – 77 mm	
Diopter compensation	±5 on right eyepieces	
Height of vision	73 – 104 cm	
Fine focus	36 mm	
Filter	Green	
Lighting device	Power LED 4000°K	
Fuses (two)	T200mA	
Classification	I type B	
Complies with	UE 2017/745 rule	
Main supply	90-240Vac, 50/60Hz	
Weight	5 kg	
Mark		

Specifications could be changed without notice

VIII. Optional Accessories

COD.	DESCRIZIONE
313114	Analog camera to fit directly on an eyepiece.
513202	Video cable , length 3m.
317015	Monitor 22" , HDMI input.
313103	DL1 USB digital camera 1.3Mpx, in place off an eyepiece
516006	USB foot switch for DL1.
513015	Eyepieces (two) WF 15X.

