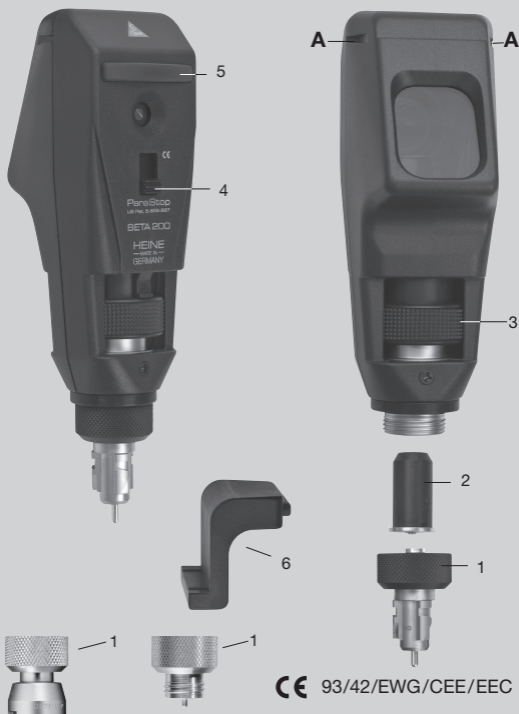


∴ HEINE BETA 200[®] Retinoscope HEINE alpha+[®] Retinoscope



HEINE Optotechnik GmbH & Co. KG
Kientalstr. 7 · 82211 Herrsching · Germany
Tel. +49(0)81 52/38-0
Fax +49(0)81 52/38-202
E-Mail: info@heine.com · www.heine.com
med 1102 1/5.11



Instructions for Use

HEINE BETA 200® Retinoscope

HEINE alpha+® Retinoscope

Before using the HEINE retinoscope, read these instructions carefully and keep them in a safe place for future reference.



In accordance with local regulations this product should be disposed of as an electronic device separately.

Safety Information

Range of applications: The HEINE retinoscope is designed exclusively for determination of the refraction of the eye.

Safety in use: Use only handles or devices which are specifically designed for medical use as a power supply.

Please note: The performance of this instrument can only be guaranteed if genuine HEINE rechargeable batteries or alkali manganese batteries are used.

Brow Rests

Two different-length brow rests (5) and (6) are included with the instrument. They can be removed and interchanged according to user preference.

Function

The control ring (3) is used to rotate the streak image through 360°. The lowest position gives a divergent beam, the highest position focuses the streak at a distance of ca. 25 cm in front of the retinoscope.

ParaStop: The slide control (4) limits the upward travel of the control ring to give a parallel beam of light at the top of its travel. To operate, press the button in and down. To disengage, push either the button or the control ring (3) upwards.

Changing the Bulb

Please note: The performance of this instrument can only be guaranteed if genuine HEINE XHL® Xenon Halogen spare bulbs are used.

- Unscrew the connector (1) and shake lightly to remove the bulb.
- Pull off the bulb cover (2).
- Wipe the glass body of the new replacement bulb with a clean cloth and replace the bulb cover.
- Insert the bulb into the retinoscope and replace the connector.

Spot Operation

To convert the Streak Retinoscope to a Spot Retinoscope simply change the streak bulb for a spot bulb.

Orange Filter

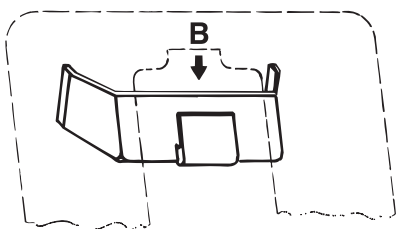
Blue light is mainly absorbed by the fundus and does not contribute to the fundus reflex. The orange filter reduces dazzle as it blocks blue light. The filter accessory can be mounted instead of the bulb cover.

Fixation Cards

The HEINE Fixation Cards for dynamic retinoscopy are attached to the retinoscope by means of a special mount.

- Slide the mount from the patient's side into the lateral grooves (A).
- Select a fixation card and hook it on from above (B).

When not using fixation cards the mount can be left on the retinoscope or can be removed by pulling it off.



Care and Maintenance

To prevent damage to the bulb avoid rough handling of the retinoscope especially while the bulb is switched on.

The housing and fixation cards may be cleaned with a mild detergent and a soft cloth. Use a lens cloth or a cotton swab with alcohol to clean external windows.

Applicable standards: DIN EN ISO 12865

Warranty

Instead of the usual 2-year guarantee, we guarantee this device for 5 years from the date of delivery from our factory (this excludes consumables such as bulbs, tips and batteries).

We guarantee the proper function of the unit provided it is used as intended by the manufacturer and according to the instructions for use. Any faults or defects which occur during the guarantee period will be repaired free of charge provided they are caused by faults in material, design or workmanship. In the case of a complaint of a defect in the product during the guarantee period, the buyer must prove that any such defect was present at the time the product was delivered. The usual legal guarantee and warranty do not apply to incorrect use, the use of non-original HEINE parts or accessories. (Especially bulbs, as these are designed with emphasis on the following criteria: Color temperature, life expectancy, safety, optical quality and performance.) Also excluded are repairs or modifications made by persons not authorised by HEINE or cases where the customer does not follow the instructions supplied with the product. Any modification of a HEINE product with parts or additional parts which do not conform to the original HEINE specification will invalidate the warranty for the correct function of the product and further invalidate any warranty claims which result from such a change or modification. Further claims, in particular claims for damage not directly related to the HEINE product, are excluded.

For **repairs**, please contact your supplier, who will return the goods to us or our authorized agent.

Bought from

date