

DEAMBULATORE CONFORT - pieghevole ***ROLLATOR CONFORT - folding***

MANUALE UTENTE **USER MANUAL**



INTRODUCTION

This manual provides the instructions for a correct use of our patient aid or an assistant / carer. This roller comply with the European Directive 93/42/CEE concerning medical devices.

INTENDED USE

The rollator is designed to be used inside buildings by patients with an impairment to legs. The devices are intended to provide a support to the body. This aid allow patient mobility making it easy to walk. They must be used with two arms in order to guarantee safe operation.

WARNING! The rollator is built for indoor use. If it is necessary to employ the devices outside we advise to follow the road rules like any pedestrian

Simple Structure Figure



- 1) Rollator frame
- 2) Back rest
- 3) Adjustable handles
- 4) Breaks
- 5) Wheels
- 6) Shopping bag
- 7) Seat
- 8) Double crossbraces
- 9) Folding locker

General Safety Instructions

- Please read the instructions for use first! Before using the product, you should become familiar with the handling, function and use of the product. You may compromise your safety if you do not observe these instructions. However, it is impossible to protect against and avoid all unforeseeable circumstances and situations.

- Please don't place it on the side to heat sources, to prevent the plastic parts deformation.

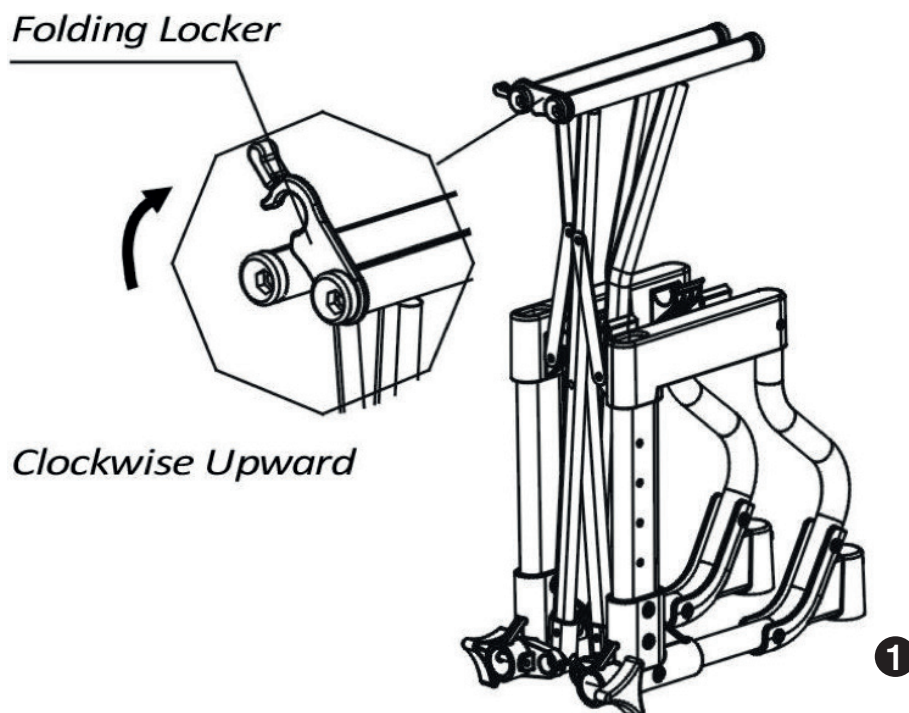
- When the rollator is on incline or uneven pavement, please don't sit. Before sit down,

please must lock the wheels by brakes firstly. When the rollator is moving, please don't sit.

- Risk of damage caused by overload. The maximum load capacity is 100 kg.
- When elderly user or children use this rollator, need caregivers to care.
- When the weather is very cold or hot, please don't place it in outdoor.

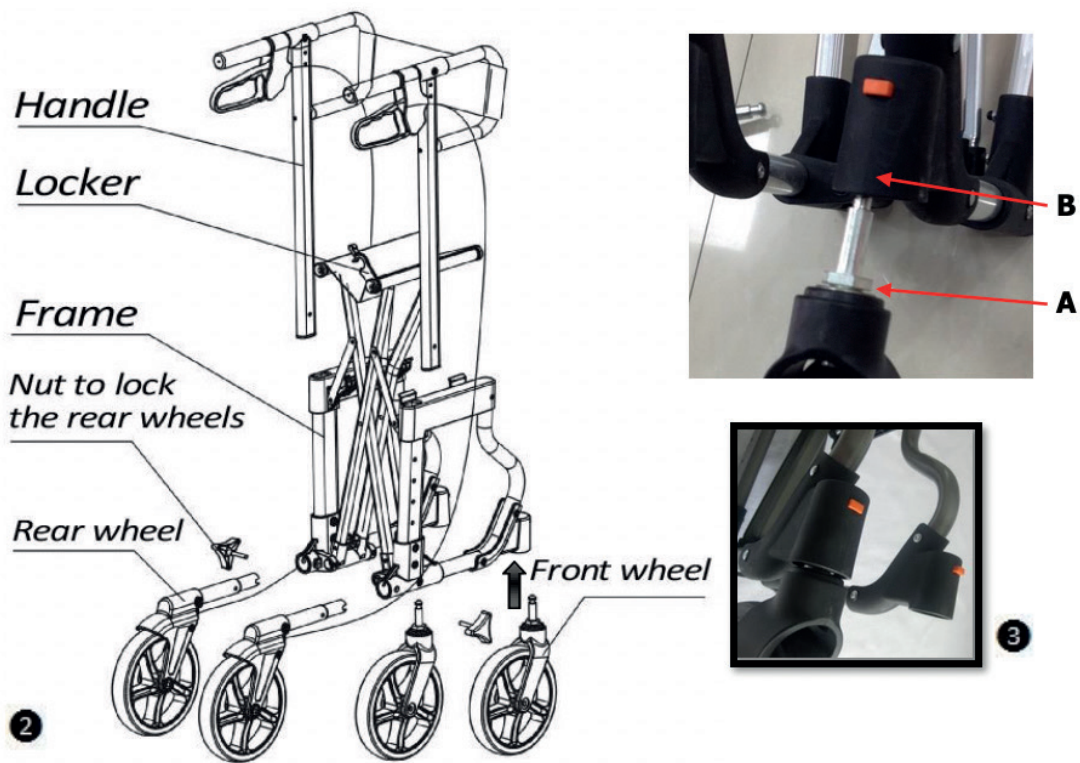
Preparation for Use

Take out the frame and all parts from carton. Open the folding locker (Figure 1), unfold the frame.



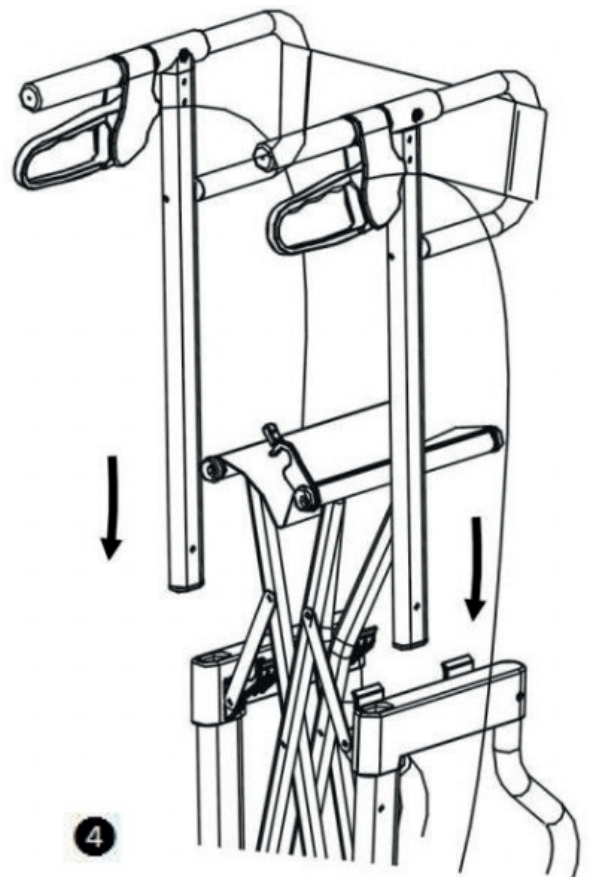
Assemble the rollator (Figure 2):

- Insert the rear wheels into the frame, then use the nut to lock the rear wheels;
- Keep the hexagon nuts A and the inner hexagon of part B to be aligned, then press the orange button (Figure 3) and insert the front wheels, finally release the orange button, the button in a state of bounce;



c) Fold the frame a little, then insert the handles into the frame (Figure 4), until the pins into the hole, then unfold the frame again.

Press the pins and at the same time press or pull the handles, can adjust the height of handles.



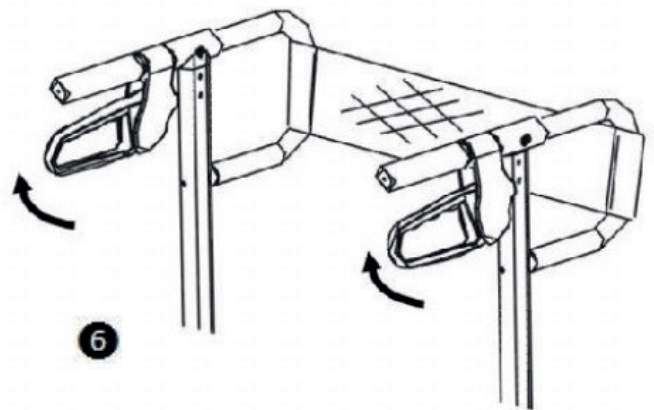
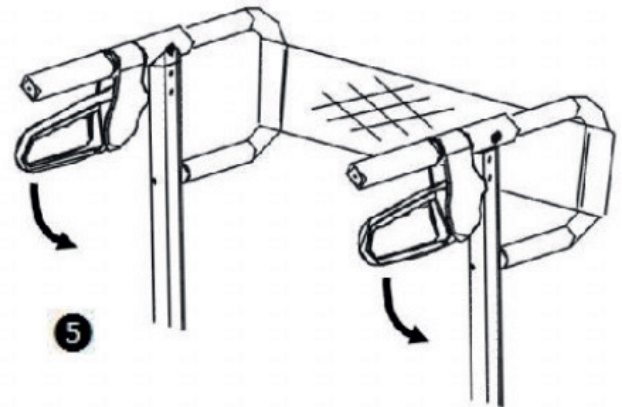
Use of Brakes

d) Press downward (**Figure 5**) and Pull upward (**Figure 6**) to test the brake to see if the wheels can be locked.

If can't be locked, have to adjust the brakes (Please refer "Adjust the brakes").

e) Press downward, when you hear the sound "ka", the rear wheels are locked. The rollator is stopped. Lightly pull upward, the rollator can move again.

Tight pull upward, it will locked the rear wheels and stop the rollator. Release the brakes, the rollator can move again.

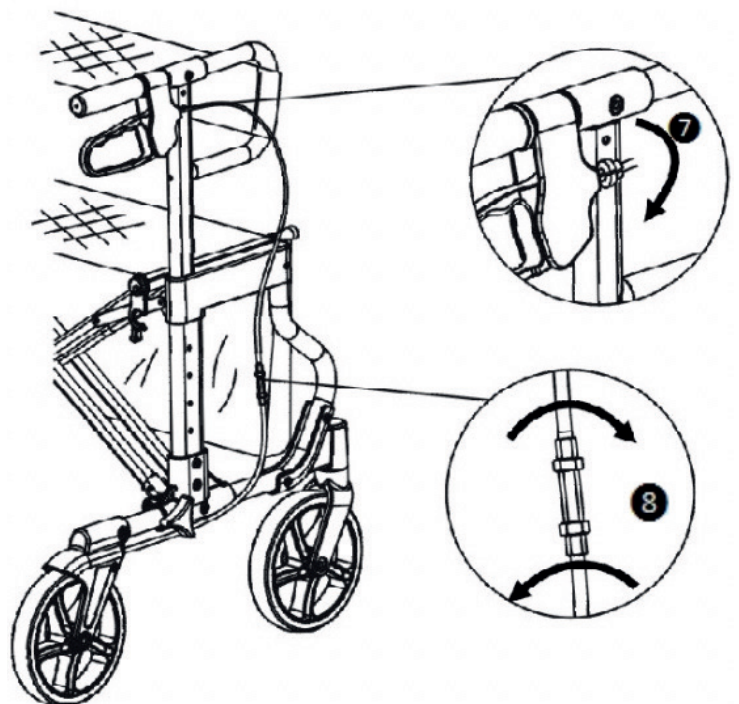


Adjust the brakes

f) Adjust the brakes to unlock.

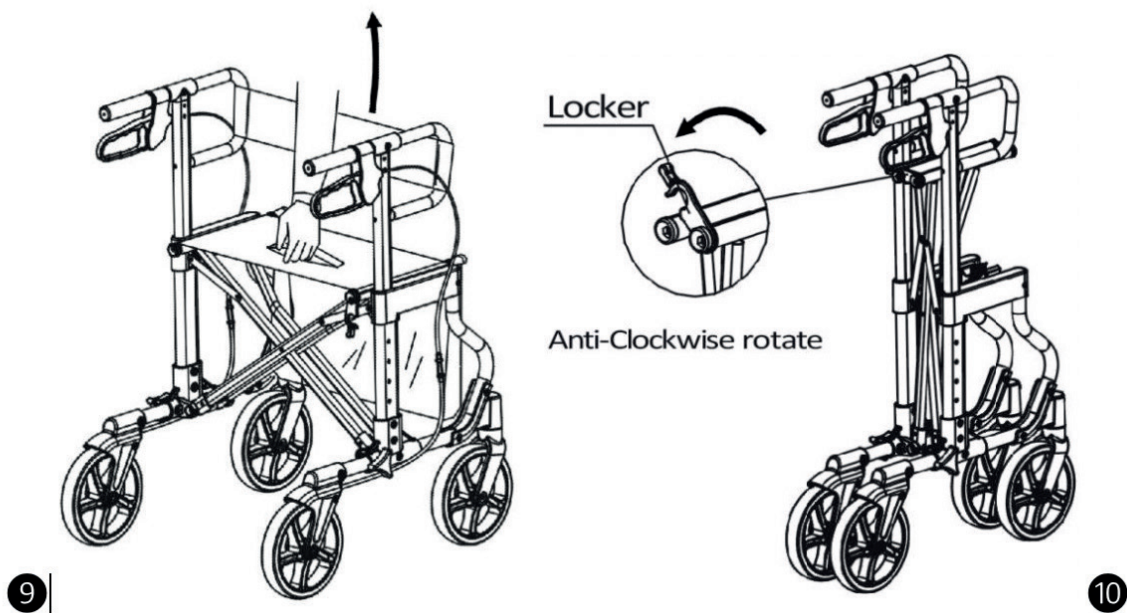
g) 1. Rotate the screw (**Figure 7**) some turns until the brakes can lock the rear wheels.

2. If the screw can't be adjust (**Figure 7**), you have to firstly rotate screws (**Figure 8**) on cables, then rotate the screw (**Figure 7**) until the brakes can lock the rear wheels.



Fold the rollator

- Confirm the shopping bag is no anything inside, and then pull upward the carrying strap on seat (Figure 9).
- Rotate the folding locker to lock the frame (Figure 10).











Maintenance

The rollator do not require special care for their ordinary maintenance. We advise to regularly perform the following checks:

- verify the reliability of different components
- check the correct fixing of screws and nuts
- test moving parts, apply lubricant if needed
- clean parts with mild detergents (do not use corrosive or harmful chemicals).

WARNING! Do not use the equipment in case it is damaged or any component is missing. Do not use the patient aids for purposes not mentioned in this user manual. Do not cross obstacles or use the patient aids on uneven surfaces or wet and slippery. The use of the device is not recommended for people with poor functionality in the hands and arms.

	GB - <i>Keep away from sunlight</i>		GB - <i>Medical Device complies with Directive 93/42/EEC</i>
	GB - <i>Keep in a cool, dry place</i>		GB - <i>Product code</i>
	GB - <i>Consult instructions for use</i>		GB - <i>Manufacturer</i>
	GB - <i>Caution: read instructions (warnings) carefully</i>		GB - <i>Lot number</i>