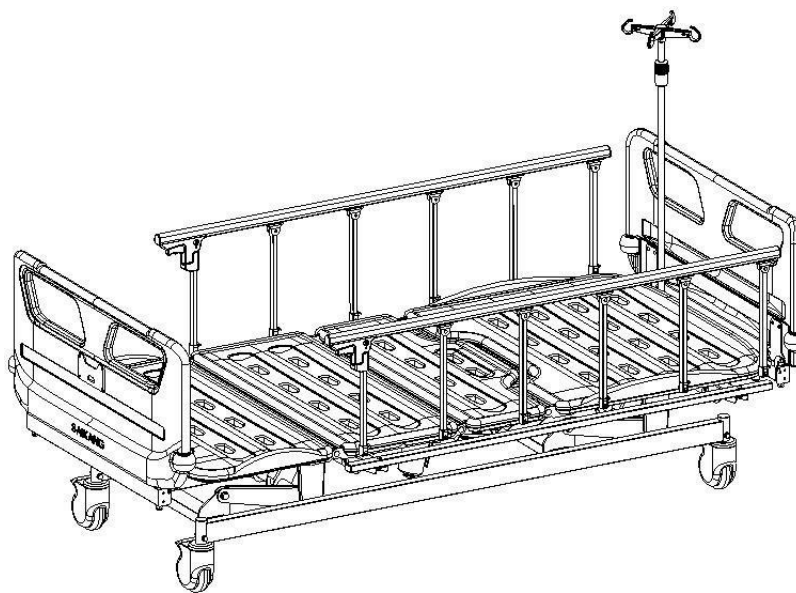




# GIMA

PROFESSIONAL MEDICAL PRODUCTS

## LETTO OSPEDALIERO ELETTRICO ELECTRIC HOSPITAL BED LIT MÉDICALISÉ ÉLECTRIQUE CAMA ELÉCTRICA DE HOSPITAL



MANUALE D'USO – USER MANUAL – MODE D'EMPLOI – MANUAL DE USO

- È necessario segnalare qualsiasi incidente grave verificatosi in relazione al dispositivo medico da noi fornito al fabbricante e all'autorità competente dello Stato membro in cui si ha sede.
- All serious accidents concerning the medical device supplied by us must be reported to the manufacturer and competent authority of the member state where your registered office is located.
- Il est nécessaire de signaler tout accident grave survenu et lié au dispositif médical que nous avons livré au fabricant et à l'autorité compétente de l'état membre où on a le siège social.
- Es necesario informar al fabricante y a la autoridad competente del Estado miembro en el que se encuentra la sede sobre cualquier incidente grave que haya ocurrido en relación con el producto sanitario que le hemos suministrado.

### REF V6k5c (Gima 44744)



**Jiangsu Saikang Medical Equipment Co.,Ltd**  
No. 35 Lehong Road, Modern Agriculture Demonstration  
Park, Zhangjiagang City, Jiangsu Province, China  
Made in China



**SUNGO Europe B.V.**  
Fascinatio Boulevard 522, Unit 1.7,  
2909VA Capelleaan den IJssel, The Netherlands



**Gima S.p.A.**  
Via Marconi, 1 - 20060 Gessate (MI) Italy  
gima@gimaitaly.com - export@gimaitaly.com  
www.gimaitaly.com



## SUMMARY

<b>USER MANUAL</b> .....	<b>2</b>
<b>GENERAL INFORMATION</b> .....	<b>2</b>
<b>WARNINGS</b> .....	<b>2</b>
<b>TECHNICAL SPECIFICATION</b> .....	<b>2</b>
<b>1.PRODUCT INSTALLATION GUIDE</b> .....	<b>2</b>
<b>1.1 List of standard accessories</b> .....	<b>2</b>
<b>1.2 Caster installation</b> .....	<b>3</b>
<b>1.3 Bed board installation</b> .....	<b>3</b>
<b>1.4 Side rails installation</b> .....	<b>3</b>
<b>1.5 Head foot board installation</b> .....	<b>4</b>
<b>1.6 IV pole installation</b> .....	<b>4</b>
<b>2.BED OPERATION</b> .....	<b>4</b>
<b>2.1 Casters usage</b> .....	<b>4</b>
<b>2.2 Side rail usage</b> .....	<b>5</b>
<b>2.3 Drainage hooks usage</b> .....	<b>5</b>
<b>2.4 IV pole usage</b> .....	<b>5</b>
<b>2.5 Hand controller usage</b> .....	<b>5</b>
<b>3.SPARE PARTS REPLACEMENT AND MAINTENANCE</b> .....	<b>5</b>
<b>3.1 Motor removal and replacement</b> .....	<b>5</b>
<b>4. TROUBLESHOOTING</b> .....	<b>5</b>
<b>5.BED MAINTENANCE</b> .....	<b>6</b>
<b>6.BED CLEANING PRECAUTIONS</b> .....	<b>6</b>
<b>7.MATTRESS MAINTENANCE</b> .....	<b>6</b>
<b>8.CASTERS INSPECTION AND MAINTENANCE</b> .....	<b>6</b>
<b>9.SIDE RAILS MAINTENANCE</b> .....	<b>6</b>
<b>10.LIST OF WEARING AND SPARE PARTS</b> .....	<b>6</b>
<b>11.PACKAGING, TRANSPORTATION AND STORAGE CONDITIONS</b> ...	<b>7</b>
<b>Symbol explanation:</b> .....	<b>7</b>
<b>12.AFTER-SALES SERVICE</b> .....	<b>7</b>

## ENGLISH

### USER MANUAL

#### GENERAL INFORMATION

■ **Essential Performance:** This bed is designed for positioning and transporting patients, as an aid to diagnosing, monitoring, treating and alleviating illnesses or compensating for injuries or disabilities.

The bed itself is not life sustaining or life supporting. The bed has no medical indication.

■ **User Environment:** hospitals and medical clinics in application environments 2 or 3.

■ The installation room must be equipped with electrical installation in accordance with current standards.

■ **Personnel for use of the product:** specialized operators and medical personnel.

■ **Supervision and responsibility:** the bed should be used under the supervision of a doctor.

■ **Limits of use:** the bed can be used only as described in this manual

■ **Essential Performance:** This bed is designed for positioning and transporting m

#### Note for Users:

Please carefully read this manual and strictly follow the steps before installing and using. We require all users to have the knowledge of user's manual and all the cautions.

Before carrying out any operation on the device, qualified operators and technicians should read carefully the instruction contained in this publication.

■ This manual is applicable to V6k5c electric hospital bed. It contains the installation method, operating instructions and maintenance check points.

■ The graphics in this manual are for users' reference only. In actual use, please refer to the real object.

■ This user manual includes the description, instruction, maintenance and technical parameters of the product.

■ Any questions, please contact the after-sale service center or distributor.

■ Anyone using or operating this product should read and comply with it.

Except for some unexpected situations, users are required to be familiar with the usage and precautions

#### WARNINGS

##### 1) DUTY OF THE USERS

- Before using a hospital bed, you, as the user, must check each time that the hospital bed is fully functional and in perfect working order and must observe the instructions in the instruction manual, particularly in the safety information, during operation and maintenance.

This is the only way to prevent operating errors and ensure correct handling in order to prevent from injuries and damage from occurring.

- Pay special attention here to the safe routing of all loose connector cables, tubing etc... if any.

- Ensure that no obstacles such as bedside cabinets, supply rails or chairs could impede adjustments to the bed

- Consult the manufacturer of the equipment in question, or the distributor, if there are any uncertainties.

##### 2) ELECTRICAL CABLING AND CONNECTIONS

Connect the bed only to a mains electricity supply with an earth wire

#### TECHNICAL SPECIFICATION

► **Model:**V6K5C

► **External Size (LxWxH):** 2085\*995\*(420-730)mm

► **Mattress Platform:** 1925x900mm

► **Safe Working Load:** 200kg

► **Back-rest Adjustment:** 0-75°(±5°)

► **Knee-rest Adjustment:** 0-46°(±5°) **Technical Configuration:**

► **PP Platform with Integrated Mattress Retainer, removable for sufficient sterilization**

► **Linear Motor:** 3pcs

► **Hand controller:** 1pc

► **5" Covered Castors:** 4pcs

► **Foldable Side Rail:** 1set

► **PP Bed Ends plug-in type, with safe lock:** 1set

► **Bumper wheels diameter 65mm:** 4pcs

► **IV Pole 4 hooks:** 1set

► **IV Pole Prevision:** 4pcs

► **Drainage Hook:** 2pcs

#### 1. PRODUCT INSTALLATION GUIDE

##### 1.1 LIST OF STANDARD ACCESSORIES

After opening the packing case, please check whether the following parts are complete.

Table a:

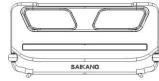
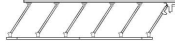
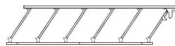


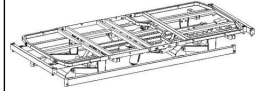


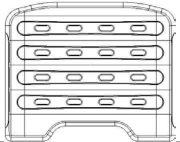
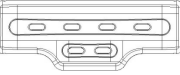
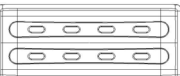
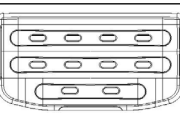
N°	Name	Picture	Specification	Qty	Unit
1	Head foot board packing box		Check table a.1 below	1	box
2	Side rail (left)		Aluminum alloy side rails	1	pc
3	Side rail (right)		Aluminum alloy side rails	1	pc
4	Caster		5" covered caster	4	pc
5	IV pole		Φ16-19/off-white	1	pc
6	Bed platform		2048*1047	1	pc
7	Bed board packing box	/	check table a.2 below	1	box
8	Screw pack	/	check table a.3 below	1	bag






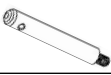
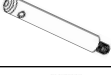



Table a.1

N°	Name	Picture	Specification	Qty	Unit
1	Head board		990*460	1	pc
2	Foot board		990*460	1	pc

**Table a.2**

N°	Name	Picture	Specification	Qty	Unit
1	V21 bed board 1		733*903/PP/white	1	pc
2	V21 bed board 2		333*903/PP/white	1	pc
3	V21 bed board 3		373*903/PP/white	1	pc
4	V21 bed board 4		473*903/PP/white	1	pc

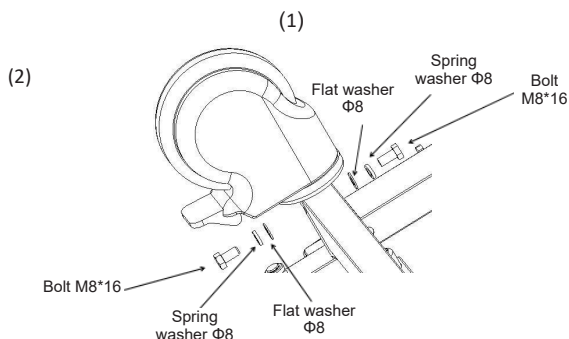
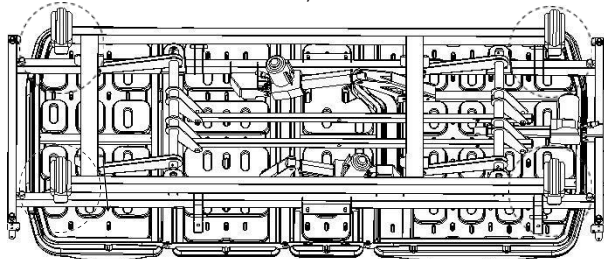
**Table a.3**

N°	Name	Picture	Specification	Qty	Unit
1	Hexagon head bolt		φ8	8	pc
2	Flat washer		φ8	16	pc
3	Spring washer		M8	12	pc
4	Jam nut		30-50 (plastic)	8	pc
5	30-50 drainage hook		φ21.7*154	2	pc
6	Asta 154		φ21.7*184	2	pc
7	Pole 184		φ12	2	pc
8	Flat washer		M12	4	pc
9	Jam nut		M8*16	4	pc
10	Hexagon head bolt		M8*16	8	pc

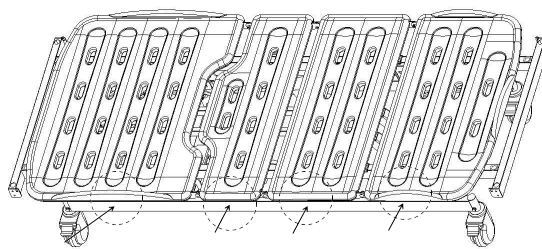
**1.2 CASTER INSTALLATION**

Lay down a protective pad, and place the bed frame upside down; prepare the screws shown in the picture below, using 14"inch wrench

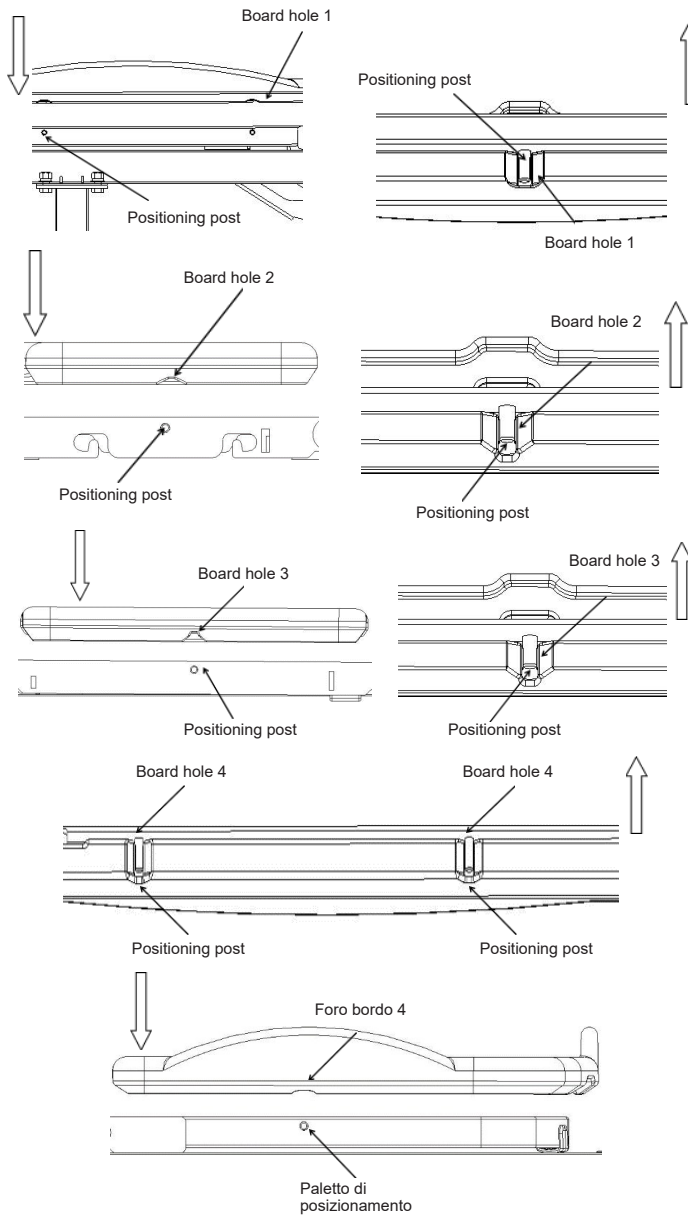
first, according to the pic(1), install the casters and fix bed leg, then using 17"inch wrench according to the pic(2), fix bed legs (for easy observation the bed board is hidden here).



**1.3 BED BOARD INSTALLATION**

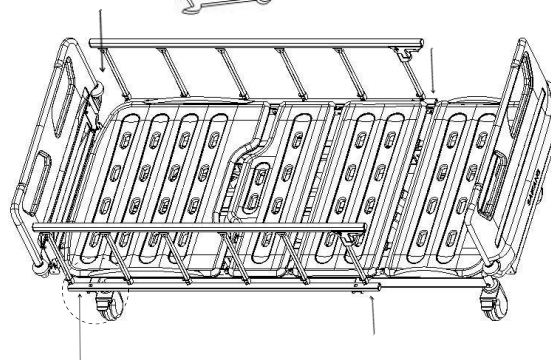


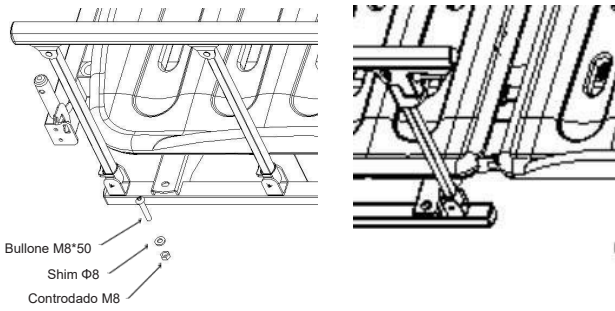
Put the bed frame on legs, install the bed board; (the picture does not exactly match the real object, for installation guide reference only) align the holes on the sides of the bed board with the corresponding positioning posts.



**1.4 SIDE RAILS INSTALLATION**

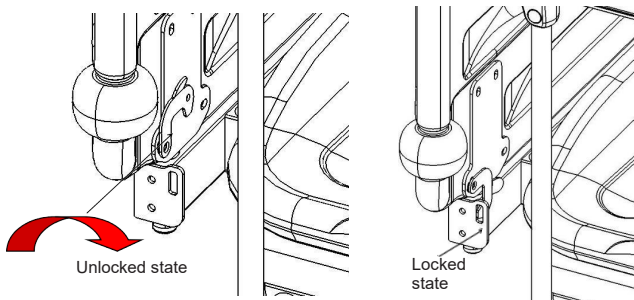
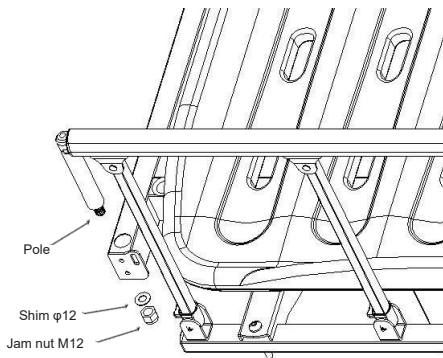
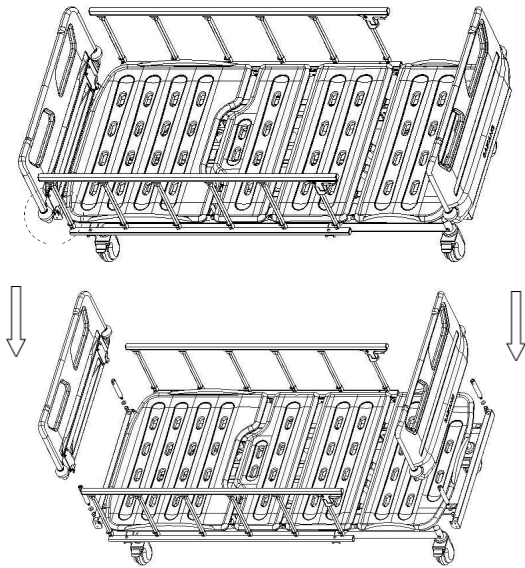
Put the bed upright, install side rails; (the picture does not exactly match the real object, for installation guide reference only) prepare the screws shown in the picture below, use 14" inch wrench.





**1.5 HEAD FOOT BOARD INSTALLATION**

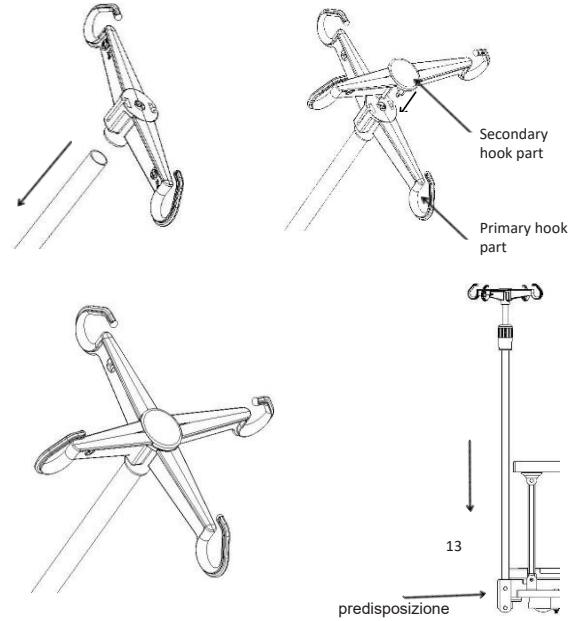
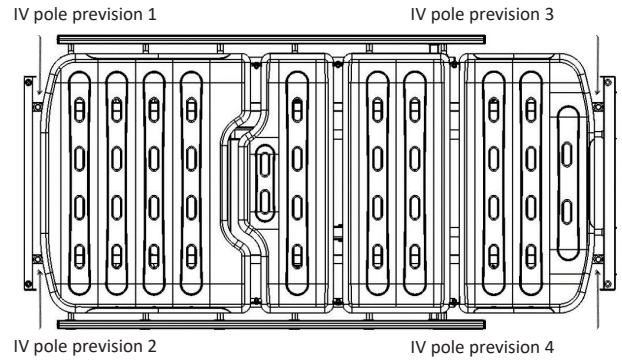
(the picture does not exactly match the real object, for installation guide reference only).  
Head board poles:  $\phi 21.7 \times 154$ , foot board poles:  $\phi 21.7 \times 184$ , the installation method is as shown in the figure below:



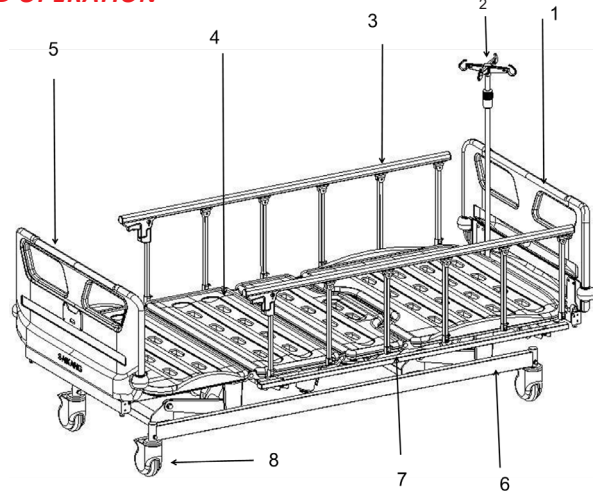
**1.6 IV POLE INSTALLATION**

Primary part installation: place the primary plastic hook part on top of the 16mm  $\phi$  stainless steel pole and press it down.

Secondary part installation: place the secondary plastic hook part on top of primary, align the secondary hook part's snap with the primary's socket and press it down, after you hear a "click" sound, check if the clip is tight, if so, the installation is completed, if not, continue to press down. Place IV pole vertically in one of the IV pole previsions.



**2. BED OPERATION**




- 1- IV pole    2- Head board    3- Side rail    4- Bed platform
- 5- Foot board    6- Bed frame    7- Drainage hook    8- Caster


Bed platform dimension	length	mm	1925±10
	width		900±10
	height		420±10
Overall dimension	length	mm	2085±10
	width		995±10
	height		(420-730)±10
Tilt range	back rest	/	0-75±5°
	knee rest		0-46±5°
Weight	Safe working load	kg	200

This bed is not suitable for patients weighing less than 40 kg. The maximum recommended patient weight is 168 kg. The safe working load of the bed is 200 kg. The safe working load is calculated as follows (in accordance with EN 60601-2-52):

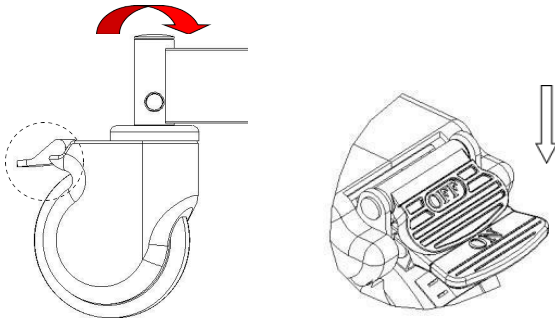
Maximum patient weight	168kg
Mattress	7kg
Accessories (including attached loads)	25kg
<b>TOTAL</b>	<b>200kg</b>

**2.1 CASTERS USAGE**

 When there is a patient on the bed, raise the side rails before moving the bed.

 Except for when the bed must be moved, the casters must be blocked via brake switch. Each caster must be braked

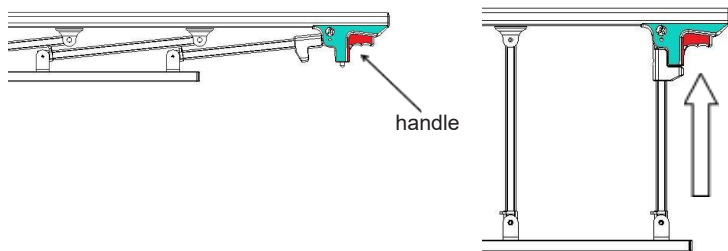
2.1.1 After moving the bed to the desired place press the “ON” switch, the “click” sound means the caster is braked, as shown below.



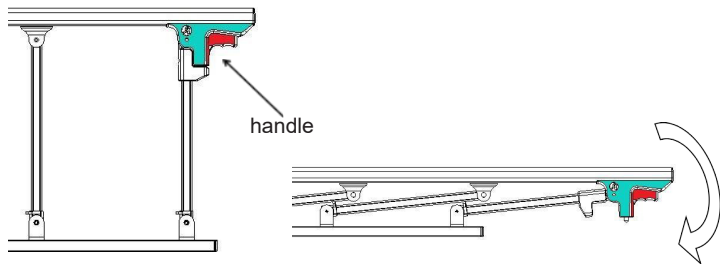
2.1.2 Lift the brake: press the “OFF” switch, the “click” sound means caster’s brake is lifted.

**2.2 SIDE RAIL USAGE**

To raise side rail: hold the handle, raise it up, the “click” sound means the rail is locked.

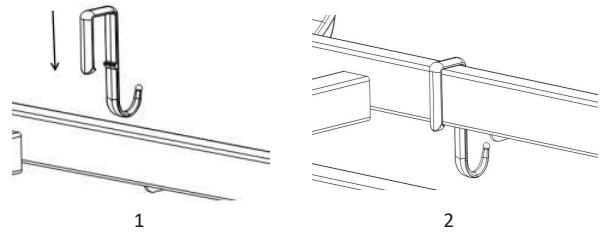
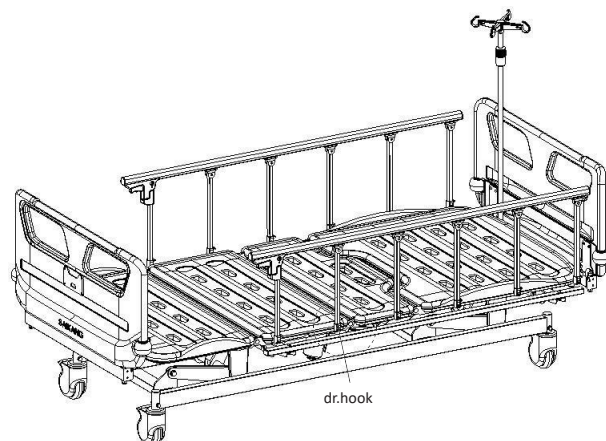


To lower side rail: squeeze the red handle, lower the side rail.



**2.3 DRAINAGE HOOKS USAGE**

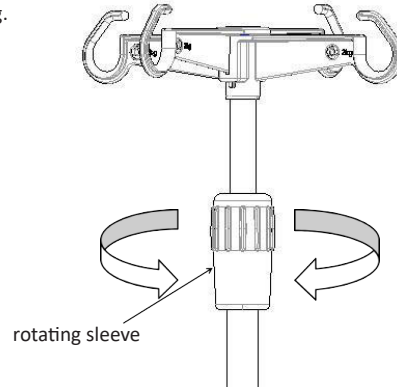
Drainage hooks as show below. (The picture is for reference only)



**2.4 IV POLE USAGE**

IV pole height adjustment: first unscrew the outer rotating sleeve, counterclockwise, insert the inner tube of the IV pole into the rotating sleeve, and then adjust the IV pole height as needed. After adjusting the required height, tighten the outer rotating

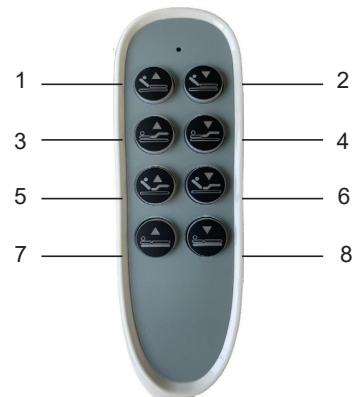
sleeve, clockwise. Safe working load of each individual hook is 2kg, total safe working load is 8kg.



(height adjustment range: 890-1540mm, the picture is for reference only).

**2.5 HAND CONTROLLER USAGE**

(The picture is for reference only)

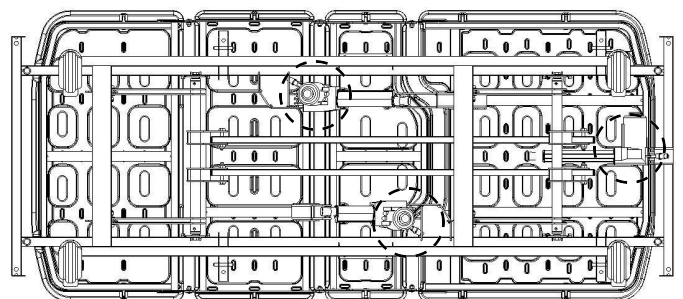


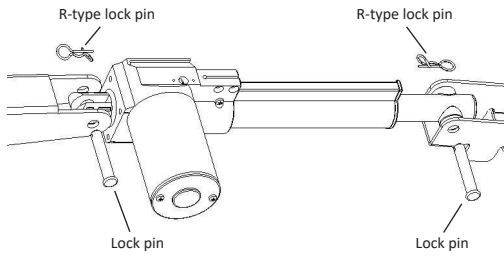
1 - back rest raise button 2 - back rest lower button 3 - knee rest raise button 4 - knee rest lower button 5 - back+knee rest raise button 6 - back\_knee rest lower button 7 - bed raise button 8 - bed lower button

**3. SPARE PARTS REPLACEMENT AND MAINTENANCE**

**3.1 MOTOR REMOVAL AND REPLACEMENT**

After removing the R-type lock pins at both ends of the motor, pull out the lock pins. After motor replacement, install the bolts in the order shown below. (the pic. is for reference only)





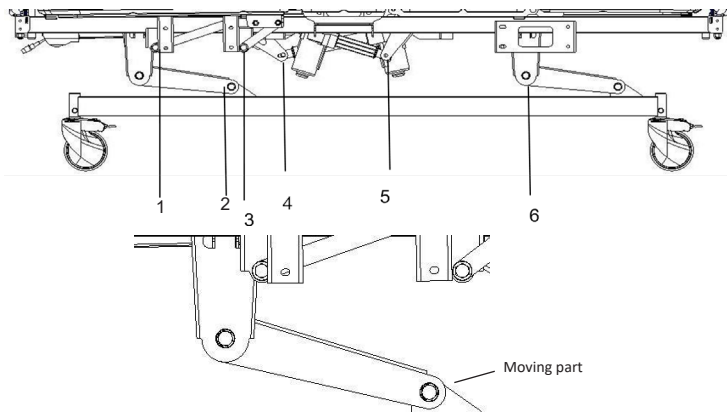
#### 4. TROUBLESHOOTING

Common issues	Possible reason	Troubleshooting
Difficulty in moving the bed	1. didn't lift the brakes, locked casters 2. casters are broken	1. lift the brakes, see 2.1 2. replace casters, see 1.2
Side rail easy to loosen	side rail isn't snapped into place	Raise side rail up again, make sure "click" sound
Loud noise when adjusting bed height	rusted moving parts, not lubricated enough	Add appropriate amount of lubricating oil to the connecting places of moving parts
Electric bed functions failure	Hand controller malfunction	Replace the hand controller
The bed is not working	The power plug is not inserted, connect it to the power grid	Plug in, power on

#### 5. BED MAINTENANCE

1. In order to use the bed safely, it is necessary to conduct regular safety inspections on the bed, it's recommended to conduct a comprehensive inspection every six months to ensure the connection parts are not loose and the lifting function of the bed is operating normally.

2. The connection of the frequently moving parts of the bed needs to be lubricated with an appropriate amount of oil during daily inspection; if serious wear is found, it should be replaced immediately to ensure safety. The moving part in figure below:



3. Avoid hitting the bed and scratching the coating on the bed surface with sharp objects.

4. Please prevent the bed and mattress from absorbing water and moisture, which may cause rust, abnormal noises and bacterial growth. If there was water spilled, please wipe it off immediately.

5. When the bed ages and reaches its service life time, the metal part and the plastic parts can be recycled.

#### 6. BED CLEANING PRECAUTIONS

1. When cleaning, please wring the cloth soaked in neutral detergent diluted with water, wipe it dry, then wring the cloth soaked in clean water, wipe off the residual detergent ingredients, and finally wipe with a dry cloth.

2. Do not use volatile items (thinners, propellants, gasoline, etc) that may cause chemical reactions and damage the bed.

3. When cleaning with a disinfectant, be sure to use it after diluting it at the specified concentration. Depending on the composition of the disinfectant, it may corrode metal parts, resin parts, etc, causing discoloration, deformation and other undesirable consequences.

Therefore, the recommended content of the disinfectant is as follows:

0.05~0.2% ammonium chloride

0.05~0.2% chlorinated phenyl

0.05% dichlorobenzene biguanide ethane

0.05~0.2% sodium hypochlorite

Do not use a smoking sterilizer or autoclave, and do not use methyl phenol to clean the head foot board, bed feet, etc, which may cause corrosion, discoloration, deterioration.

Note: When cleaning the bed or changing the bedding, pay attention to the corners, edges and screw parts of the frame to prevent scratches.

#### 7. MATTRESS MAINTENANCE

1. Avoid scratching the fabric with sharp-angled appliances or knives when using it, cover it with sheets or cleaning pads, and clean it frequently to keep it clean and dry.

2. Regularly clean the mattress cover with a vacuum cleaner, it can be washed directly with water or detergent.

3. Air the mattress often to keep your sleep fresh and comfortable, but be careful not to expose the mattress to the sun for too long.

4. If the fabric is accidentally stained, please refer to the corresponding recommended cleaning method in the instructions. Do not use corrosive chemicals to clean the fabric.

5. If you accidentally get chewing gum or other glue-like objects on the fabric, do not wipe it forcibly. You can use an ice pack to allow it to harden and then peel it off gently.

6. If the thread is found to be loose due to wear and tear, it cannot be broken by hand, and it should be cut short with scissors.

\* Your order may not have a mattress included, please refer to the contract configuration.

#### 8. CASTERS INSPECTION AND MAINTENANCE

1. Check the casters regularly, avoid hitting heavy objects or overloading, which will cause damage to the casters.

2. The casters should be applied with lubricating grease regularly, the frequency of appliance should be determined according to the specific actual use situation. Under normal conditions, the grease should be applied every six months.

3. After cleaning the caster equipment, pay attention to adding lubricating grease. The selection of lubricating grease should be based on the actual use environment, special high low temperature environment, etc.

4. It's forbidden to push the bed with force when the casters are braked, which will cause damage to the braking system.

5. The wear of the tire tread of the caster can be detected by visual inspection. Some accumulations such as thread and spun yarn may wrap around the caster. Remove the bolts and nuts of the caster, clean up the debris, and check whether the bearing of the caster is damaged. If the parts are not damaged, the caster can be reassembled and used.

6. Decision whether to replace entire caster is according to the wear condition. After the caster is replaced or reinstalled, make sure that the axle bolt and nut are connected reliably, and use lock washers or lock nuts as much as possible.

7. For casters equipped with brakes, it is necessary to regularly check whether the brakes work normally, and check the brakes every day or before each use. For a hospital bed equipped with multiple brake casters, you can lock only one brake caster at a time and try to push the bed to check whether the braking performance of each caster is good. If the caster brake fails to function due to wear or damage to the caster, replace the caster immediately and retest the brake system.

8. If the mechanism of the brake system is damaged, and the brake needs to be repaired or replaced, please contact our after-sales or an authorized dealer. Every time the brakes are replaced, the brake performance of the casters needs to be retested.








#### 9. SIDE RAILS MAINTENANCE

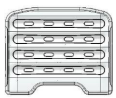


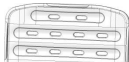

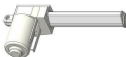

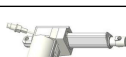
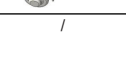



1. Please check whether the side rails are installed correctly to prevent the lying patient from shifting and rolling off.

2. Please always check the screws of the side rail and the side rail fittings, to prevent loosening and falling off.

3. Please use the red part of the side rail handle correctly, do not use brute force to pull hard, which will cause damage to the side rail.

#### 10. LIST OF WEARING AND SPARE PARTS

No	Name	Material code	Picture	Specification
1	V21 head foot board	GPSSL101TS648		990*460
2	Aluminum alloy side rail, left	BKLLGH105943		Six sections / QB/260*5/φ10*1170
3	Aluminum alloy side rail, right	BKLLGH105944		Six sections/QB /260*5/φ10*1170
4	Stainless Steel IV pole with 4 plastic hooks	S0FJSY010003		φ16-19/off-white
5	5" covered caster with brake, slide bar with bolt φ23.6	LGPLU101TS122		M8(QB)
6	Drainage hook	BYKBGKM02806		30-50 (plastic)
7	Transparent bedside card holder(1 card)	GPSSL101TS184		/

8	V21 bed board 1	GPSL101TS610		733*903/PP/white
9	V21 bed board 2	GPSL101TS611		333*903/PP/white
10	V21 bed board 3	GPSL101TS613		373*903/PP/white
11	V21 bed board 4	GPSL101TS614		473*903/PP/white
12	PP side rail shock damper	LGPQT101TS02 2		18-60-170-35N
13	HJ motor 200, horizontal	LGPDJ101TS573		HJA58/stroke 200mm
14	HJ motor 150, vertical	LGPDJ101TS574		HJA58/stroke 150mm
15	HJ motor 100, vertical	LGPDJ101TS575		HJA58/stroke 100mm
16	HJ controller, 3 functions	LGPDJ101TS576		HJT13E power on/off/100-240V/50/60Hz/white
17	HJ hand controller, 3 functions	LGPDJ101TS577		HJH18 hand controller/8 buttons/white
18	V21 back rest rail sticker	LGPFU101TS41 6		780*35*0.4
19	V21 knee rest rail sticker	LGPFU101TS41 7		750*35*0.4

Note: Due to the renewal of product lineup, the parts of the original product may not be available.


(The company ensures availability of the parts for sold products within 6 years after their production ends).

**11. PACKAGING, TRANSPORTATION AND STORAGE CONDITIONS**

- The packaging of the manual bed is carried out according to the contract or product standard.
- During the transportation of the product, avoid rushing out, violent vibration, prevent direct sun and rain access.
- Store conditions:
  - Ambient temperature: -10°C~ +40°C
  - Relative humidity: ≤ 85%
  - Atmospheric pressure: 70 kPa ~ 106 kPa

ELECTRIC VARIABLE HEIGHT BED – V6k5c		
Supply voltage	V	100-230V a.c.
Network frequency	Hz	60 Hz
Operating voltage	VA	200 VA
Class of electrical protection	-	I
Applied part	-	B
IP Protection		IPX4

**SYMBOL EXPLANATION:**

 Notice: Read attachment paper  Safe working load is 2000N

Max bear loading is 200KG

**12. AFTER-SALES SERVICE**

- C1. Please preserve the attachment papers and invoice of this product, you need to present those to enjoy after-sales maintenance service.
- If you have any question during use, please contact us any time, so that our company can provide you with accurate and efficient technical support and maintenance services in a timely manner.
- Do not disassemble the internal parts of this product by yourself to avoid unnecessary damage. If you find that the use is affected by quality issues, please contact the company's after-sales service department or the authorized distributor.
- The warranty is guaranteed according to the contract requirements. Outside the

warranty period, the company is responsible for maintenance, providing accessories, and implementing life-long service for clients.

5. After-sales service unit: Jianguo Saikang Medical Equipment Co., Ltd.

Notice!any serious incident that has occurred in relation to the device shall be reported to the manufacturer and the competent authority of the Member State in which the user and/or the patient is established

**EMC**

- This product needs special precautions regarding EMC and needs to be installed and put into service according to the EMC information provided, and this unit can be affected by portable and mobile RF communications equipment.
- \* Do not use a mobile phone or other devices that emit electromagnetic fields, near the unit. This may result in incorrect operation of the unit.
- Caution: This unit has been thoroughly tested and inspected to assure proper performance and operation!
- \* Caution: This machine should not be used adjacent to or stacked with other equipment and that if adjacent or stacked use is necessary, this machine should be observed to verify normal operation in the configuration in which it will be use.

Guidance and Manufacturer's Declaration – Electromagnetic Immunity		
The V6k5c is intended for use in the following electromagnetic environment. The customer or user of the V6k5c should make sure it is used in such an environment		
Emission test	Compliance	Electromagnetic Environment - Guidance
RF Emission to CISPR 11	Group 1	The bed uses RF energy for its internal function
RF Emission to CISPR 11	Class B	The bed is intended for use in all types of establishment including residential and similar user that are directly connected to a public supply network that also serves buildings used for residential purposes
Harmonics according to IEC 61000-3-2	Class A	
Voltage fluctuations/ flicker acc. To IEC 61000-3-3	Complies	

Guidance and Manufacturer's Declaration - Electromagnetic Immunity			
The V6k5c is intended for use within healthcare facility environment. Users or customers must use bed in this environment			
Immunity test	IEC 60601-1-2/ EN 60601-1-2 Level test	Compliance level	Electromagnetic environment - guidance
Electrostatic discharge (ESD) IEC 61000-4-2 /EN 61000-4-2	Contact discharge: +8kV Air discharge: +2kV, +4kV, +8kV, +15kV	Contact discharge: +8kV Scarica in aria: +2kV, +4kV, +8kV, +15kV	Floor should be made of wood and concrete or be tiled with ceramic tiles. If the floor is covered with synthetic flooring material, the relative air humidity must be at least 30% Can be used when higher ESD levels are present
Electrical fast transient/burst 61000-4-4 /EN 61000-4-4	+2kV Power supply line +1kV Input/Output lines	Linea di alimentazione +2kV	The quality of the supply voltage should be equivalent to that of a typical business or hospital environment.
Surge IEC 61000-4-5 /EN 61000-4-5	Line - line: +0.5kV, +1.0kV Line - ground: +0.5kV, +1.0kV, +2.0kV	Linea - linea: +0,5kV, +1,0kV Linea - terra: +0,5kV, +1,0kV, +2,0kV	The quality of the supply voltage should be equivalent to that of a typical business or hospital environment.
Power Frequency Magnetic Fields IEC 61000-4-8 /EN 61000-4-8	30 A/m 60Hz	30 A/m 60Hz	Magnetic fields with a network frequency should be equivalent to those to be found in a typical business or hospital environment.
Voltage Dips IEC 61000-4-11 /EN 61000-4-11	0% U <sub>T</sub> : 0.5 cycles Phase: 00, 450, 900, 1350, 1800, 2250, 2700, 3150	0% U <sub>T</sub> : 0,5 cicli Fase: 00, 450, 900, 1350, 1800, 2250, 2700, 3150	The quality of the supply voltage should be equivalent to that of a typical business or hospital environment. If the person using the bed requires that the bed functions must continue despite any interruptions in the energy supply, it is recommended that the bed be connected to an uninterruptible electricity supply or a battery
	0% U <sub>T</sub> : 1 cycle 70% U <sub>T</sub> : 25/30 cycles Single phase: 00 0% U <sub>T</sub> : 300 cycle	0% U <sub>T</sub> : 1 ciclo 70% U <sub>T</sub> : 25/30 cicli Monofase: 00 0% U <sub>T</sub> : 300 cicli	
Short interruptions IEC 61000-4-11 /EN 61000-4-11	0% UT: 250/300 cycles	0% U <sub>T</sub> : 250/300 cicli	The quality of the supply voltage should be equivalent to that of a typical business or hospital environment. If the person using the bed requires that the bed functions must continue despite any interruptions in the energy supply, it is recommended that the bed be connected to an uninterruptible electricity supply or a battery

Note: U<sub>T</sub> is the AC Power voltage before applying in the test level

Guidance and Manufacturer's Declaration – Electromagnetic Immunity							
The V6k5c is intended for use in an electromagnetic environment that used wireless RF transceiver. Electromagnetic interference can be prevented by maintaining the minimum distance between RF transceiver and V6k5c depend on the maximum output and frequency of the communication device as recommended below.							
Immunity test	IEC 60601-1-2 /EN 60601-1-2 Test level	Compliance level (V/m)	Band (MHz)	Service	Modulation	Maximum power (W)	Distance (m)
Enclosure port to RF wireless communication equipment IEC 61000-4-3 /EN 61000-4-3	27 V/m 385 MHz	27	380-390	TETRA 400	Pulse modulation n18Hz	1,8	0,3
	28 V/m 450 MHz	28	430-470	GMRS 460, FRS 460	FM+5 kHz deviation 1 kHz sine	2	0,3
	9 V/m 710 MHz	9	704-787	LTE Banda 13, 17	Pulse modulation n217Hz	0,2	0,3
	9 V/m 745 MHz						
	9 V/m 780 MHz						
	28 V/m 810 MHz	28	800-960	GSM 800/900, TETRA 800, iDen 820, CDMA 850 LTE Band 5	Pulse modulation n18Hz	2	0,3
	28 V/m 870 MHz						
	28 V/m 930 MHz						

Enclosure port to RF wireless communication equipment IEC 61000-4-3 /EN 61000-4-3	28 V/m 1720 MHz	28	1700-1990	GSM 1800; CDMA 1900; GSM 1900; DECT; LTE Band 1,3, 4,25; UMTS	Pulse modulation n217Hz	2	0,3
	28 V/m 1845 MHz						
	28 V/m 1970 MHz						
	28 V/m 2450 MHz	28	2400-2570	Bluetooth, WLAN, 802.11 b/g/n RFID 2450, band LTE 7	Pulse modulation n18Hz	2	0,3
	9 V/m 5240 MHz	9	5100-5800	WLAN 802,11 a/n	Pulse modulation n217Hz	0,2	0,3
	9 V/m 5500 MHz						
	9 V/m 5785 MHz						

Guidance and Manufacturer's Declaration - Electromagnetic Immunity			
The V6k5c is intended for use in the following electromagnetic environment. The customer or user of the V6k5c should make sure it is used in such an environment.			
Immunity test	IEC 60601-1-2 /EN 60601-1-2 Livello test	Livello di conformità	Electromagnetic Environment - Guidance
RF Conductivity IEC 61000-4-6 /EN 61000-4-6	3V 0,15 MHz-80 MHz	3V 0,15MHz-80 MHz	Field intensity from the fixed RF transmitter determined by a field investigation of the magnetic field must be lower than the compliance level of the respective frequencyband. Near devices with the following symbol, interference could occur.
	6V in ISM bands between 0.15MHz-80MHz 80%AM at 1kHz	6V in ISM bands between 0.15MHz-80MHz 80%AM at 1kHz	
Radioactive RF electromagnetic field IEC 61000-4-3 /EN 61000-4-3	3V/M 80MHz-2,7GHz 80%AM a 1kHz	3V/M 80MHz-2,7GHz 80%AM a 1kHz	
<p>a. The intensity of a magnetic field from fixed transmitters such as a radio (mobile/radio) telephone base station, land mobile radio, amateur radio, AM and FM radio broadcasting, and TV broadcasting cannot be theoretically predicted accurately. To determine the electromagnetic environment for a fixed RF transmitter, consider investigating the electromagnetic field in the location where the bed is used. If the intensity of the magnetic field in the location where the V6k5c is used exceeds the above RF compliance level, make sure to monitor if the V6k5c operates appropriately. If abnormal movement is found, take additional measures as needed, such as changing the direction or position of the V6k5c.</p> <p>b. These guidelines may not apply in all situations. Electromagnetic propagation is affected by absorption and reflection from structures, objects, and people.</p>			

**SYMBOL EXPLANATION:**

	Keep away from sunlight		Medical Device compliant with Regulation (EU) 2017/745
	Product code		Follow instructions for use
	Date of manufacture		Lot number
	Caution: read instructions (warnings) carefully		Temperature limit
	Imported by		Serial number
	Atmospheric pressure limit		Keep in a cool, dry place
	Manufacturer		Medical Device
	Authorized representative in the European community		Humidity limit
	Type B applied part		WEEE disposal
	Press the red handle to lower the side rail (unlock), to secure press the red handle and push forward until you hear click		

**Disposal:** The product must not be disposed of along with other domestic waste. The users must dispose of this equipment by bringing it to a specific recycling point for electric and electronic equipment.

**GIMA WARRANTY TERMS**

The Gima 12-month standard B2B warranty applies.