

MD

USER MANUAL

MS

EXAMINATION LAMP

MS LED

MS LED PLUS

MS FLEX

MS FLEX PLUS

MS CEILING

MS CEILING PLUS

**mimsal**F3P30
Rev. 01
20.06.2022

Dear user, we encourage you to read this manual carefully before using the product.

The manufacturer states that this product complies with Annex I (General safety and performance requirements) of (EU) REGULATION 2017/745 on medical devices, amended and integrated.

This manual's content may be modified in part or in whole by MIMSAL without prior notice in order to make changes and improvements.

MIMSAL has a Customer Support service available.

Your team:

MIMSAL

MIMSAL TRADE S.L.

C/ Mollet, 17

Polígono Industrial Palou Nord

08401 – Granollers (Barcelona) SPAIN

Tel. +34 930 139 860













mimsal@mimsal.com

www.mimsal.com






TABLE OF CONTENTS

1. Safety instructions	5
2. Brief description	6
3. Installation and supports	7
3.1 Trolley Stand	8
3.2 AH Table Clamp	9
3.3 Wall B Support	10
3.4 Rail Plus Bracket	11
3.5 Extension arm	12
3.6 Ceiling Support	13
4. Operation of the lighting unit	15
4.1 Check before each use	15
4.2 Operation of the lighting unit head	15
4.3 Arm measurement detail by MS model	16
5. Safety functions	18
5.1 Voltage drop	18
5.2 Power cuts	18
5.3 Electrical malfunction	18
6. Cleaning/Disinfection	18
6.1 General safety instructions	18
6.2 Cleaning	18
6.3 Disinfection	19
7. Maintenance	19
7.1 Lighting unit support arms	19
7.2 Lighting unit head	20
7.3 Repairs	20
7.4 Adjustments	20
7.5 Troubleshooting	20
8. Recycling	20
9. Technical data	21
10. Electromagnetic Emissions	22
11. Warranty	24
12. Industrial and Intellectual Property	25
13. Confidentiality	25
14. Declaration of Conformity	26
15. Certificate ISO 9001	27
16. Certificate ISO 13485	28

SYMBOLS

	INSTRUCTIONS
	DECLARATION OF CONFORMITY
	MEDICAL DEVICE
	ITEM CODE
	BATCH NUMBER
	MANUFACTURING DATE
	NAME AND ADDRESS OF THE MANUFACTURER
	ELECTRONIC WASTE RECYCLING
	ELECTRICAL INSULATION CLASS Class II
	MINIMUM DISTANCE TO THE ILLUMINATED OBJECT
	AMBIENT TEMPERATURE Shows the permitted ambient temperature of between -25°C and 70°C for transportation and storage.
	HUMIDITY Shows the permitted humidity values of between 10% and 75% for transportation and storage.

SAFETY RULES

	WARNING Not doing so could result in serious or even fatal injuries.
	CAUTION Not doing so could result in minor to moderate injuries or damage.
	NOTE INFORMATION Provides application tips and useful information.
	FALLING OF THE LIGHTING UNIT Warns about the sudden collapse of the support arm system if the maximum useful load is exceeded.
	TIPPING HAZARD The brackets are only designed to support the weight of the head. If additional weight is added, the unit may tip over, which could cause damage of varying degrees.

REFERENCE AND MODEL

REF	MODEL	UDI-DI
M187001C	MS CEILING PLUS	8436562860493
M183500C	MS CEILING	8436562860486
M187001	MS LED PLUS	8436562860394
M183500	MS LED	8436562860387
M187001FL	MS FLEX PLUS	8436562860431
M183500FL	MS FLEX	8436562860424

1. SAFETY INSTRUCTIONS



Check the operating instructions when handling the device.

This lighting unit is a Class I medical device according to (EU) Regulation 2017/745 on medical devices.

ENVIRONMENT

1. This device is not designed to be operated in potentially explosive areas!
2. Do not use it in oxygen-enriched areas!
3. Do not use it near flammable anesthetic gases!
4. Do not place it close to strong magnetic fields! e.g. Magnetic resonance systems.
5. Do not cover the top of the lamp head! Risk of overheating!

ELECTRONIC SAFETY

1. Only use the built-in power source unit!
2. The lighting unit does not include a fail-safe power source or an emergency battery!
3. In the event of a power cut, the lighting unit will shut off completely!
4. Short black-outs are possible in the event of external EMC interference!
5. To switch off the lamp completely, the power plug must be removed from the outlet or the live outlet must be disabled using a separate switch.

MAINTENANCE AND RESPONSABILITY

1. Installation and electrical maintenance work must only be carried out by qualified personnel!
2. The manufacturer is not responsible for any damage caused by improper use!
3. The final user is responsible for the product's installation and MIMSAL accepts no responsibility.
4. The manufacturer is responsible for the safety of the lamp only if repairs and modifications are carried out by the manufacturer itself or by a company that ensures compliance with safety rules, using original replacement parts!

Prior to each use, make sure that the lamp is in perfect technical condition.

2. BRIEF DESCRIPTION

INTENDED USERS

These operating instructions are intended for the health professionals who use, clean, and disinfect MISMAL lighting units.

INTENDED USE

This lighting unit is intended for carrying out very meticulous work that requires a high level of precision. It is suitable for use in hospitals, medical research, laboratories, clinics, etc.

INDICATION

The light is only intended to provide optimal visibility of the surface being examined and has no diagnostic or therapeutic effect. The light is external to the body and the device never enters into contact with patients.

CONTRAINDICATION

The products must not be used close to strong magnetic fields.

The device must not be used in oxygen-enriched environments or in close to flammable anesthetic gases.

RESIDUAL RISKS – RISK IN THE EVENT OF DAMAGE TO THE LIGHTING UNIT

Protect the lighting unit from knocks. Collision with other objects could result in the failure of the device and/or damage to the cover and the support arm system, causing parts to fall off.

The lighting unit does not include a fail-safe power source. A power cut will cause the device to switch off.

Do not aim the light source directly at the eyes of the patient and/or operator.

Always properly protect the patient's eyes.

Failing to comply with these precautions could cause blinding and damage to the retina.

Never place and/or hang any object on the lighting unit. If this precaution is not taken, the unit's position will be unstable and these objects could fall onto the work area.

Never hang the body weight of a person from the lighting unit. Failing to comply with this precaution could damage the structure of the device.

INCIDENTS AND REPORTS

The user and/or the patient must notify MISMAL and the competent authority in the country if any serious incident occurs whilst using the device.

In accordance with the Medical Devices Regulation (MDR), the competent authority must be notified immediately.

3. INSTALLATION AND SUPPORTS

Before starting to install the device, check that the content is in good condition and that it has not been damaged or degraded during transportation.

Claims will only be accepted if the vendor or the carrier is notified immediately. All claims must be made in writing.

The goods always travel under the buyer's responsibility and at the buyer's risk.

Keep the original packaging in the event the product needs to be returned.

TYPES OF SUPPORT

The lighting unit may come with several different types of brackets, allowing the most suitable one to be selected for its use.

All accessories must be assembled by an authorized installer.

Do not make any modifications to the product, other than those mentioned in this user manual.

SUPPORTS FOR: MS LED PLUS | MS LED | MS FLEX PLUS | MS FLEX

MODEL	SUPPORT
TROLLEY STAND	Rolling base with 5 wheels
AH TABLE CLAMP	Table clamp
WALL B SUPPORT	Reinforced wall B bracket
RAIL PLUS BRACKET	Bracket for mounting on an ICU rail
EXTENSION ARM	Extension arm + Reinforced wall B bracket

* All of these MS models include the AH TABLE CLAMP mounting accessory by default.

SUPPORTS FOR: MS CEILING PLUS | MS CEILING

MODEL	SUPPORT
CEILING SUPPORT	Ceiling bracket

* The MS CEILING PLUS and MS CEILING already include a CEILING SUPPORT.

* Not compatible with MS LED, MS LED PLUS, MS FLEX and MS FLEX PLUS.

3.1 TROLLEY STAND

REF	MODEL	DESCRIPTION
09651	TROLLEY STAND 8,8 Kg	8.8 Kg rolling base



Install the accessory without the lighting unit installed on it.

It is the customer's responsibility to ensure that the surface that it is attached to is secure and sufficiently strong.



Check regularly that the unit is still stable in order to avoid the possibility of the lighting unit falling down.



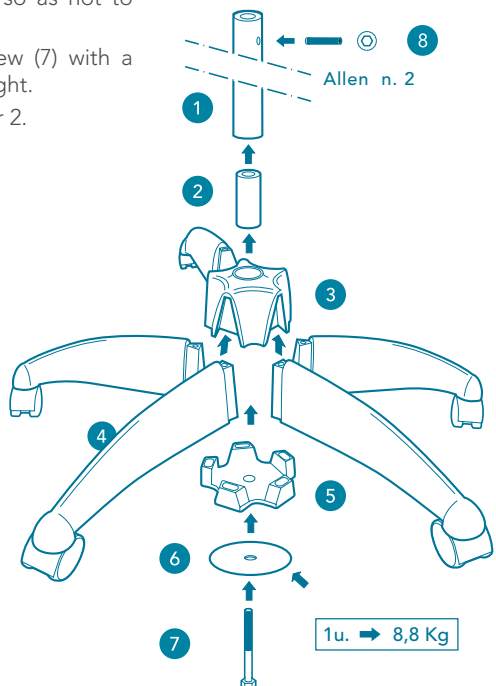
The rolling base is only designed to support the weight of the lighting unit. If additional weight is added, the unit may tip over and cause damage to the lighting unit and/or injury to the user.

1. Installation and assembly

- Insert piece (2) totally into the base (3) and press down.
- Insert the legs with the wheels (4) through the base slot (3) until it completely fits, and if necessary helping with a nylon hammer.
- Fit piece 5 into the interior leg slots (4) by pressing down.
- Put the screw (7) through the washer (6) and insert the screw into piece 5 to connect the set.
- Join the pole (1) directly with the screw (7) without tightening the pole (1) with the piece (2) so as not to damage the paint.
- Hold the pole (1) firmly and turn the screw (7) with a wrench or a scanner until the whole set is tight.
- Luminaries fixation system (8). Allen number 2.

2. Technical characteristics

- Length of pole: 75 cm
- Total length: 92 cm
- Base diameter: 60 cm
- Wheel diameter: 50 mm
- Number of wheels: 5
- Number of brakes: 3



3.2 AH TABLE CLAMP

REF	MODEL	DESCRIPTION
B010190	AH TABLE CLAMP	Table clamp



Install the accessory without the lighting unit installed on it.

It is the customer's responsibility to ensure that the surface that it is attached to is secure and sufficiently strong.



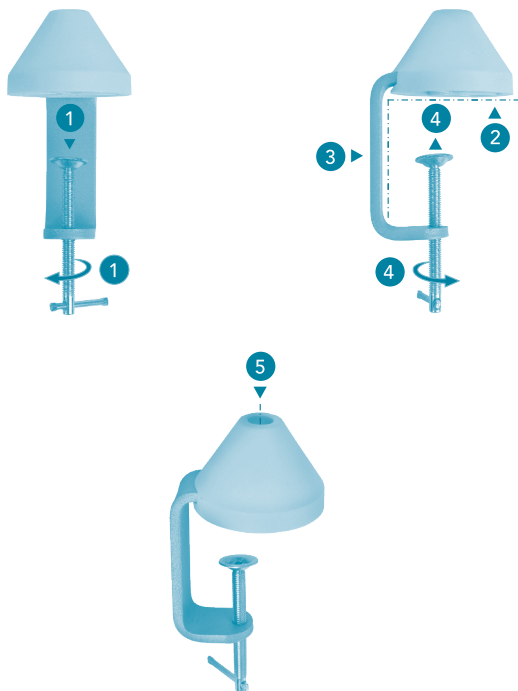
Check regularly that the unit is still stable in order to avoid the possibility of the lighting unit falling down.



The bracket is only designed to support the weight of the lamp. If additional weight is added, this may cause damage to the lighting unit and/or injury to the user.

Installation and assembly

- Use the handle to loosen the adjustment screw (1).
- Rest the base of the clamp on the surface of the table (2).
- Adjust the body of the clamp (3) until it is touching the edge of the table.
- Turn the handle (4) until the clamp and the table are firmly attached.
- Once the clamp is fixed and secure, position the lamp through the upper hole (5).



3.3 WALL B SUPPORT

REF	MODEL	DESCRIPTION
B0101800	WALL B SUPPORT	Reinforced wall B bracket. 7 cm shaft-wall separation.



Install the accessory without the lighting unit installed on it.

It is the customer's responsibility to ensure that the surface that it is attached to is secure and sufficiently strong.



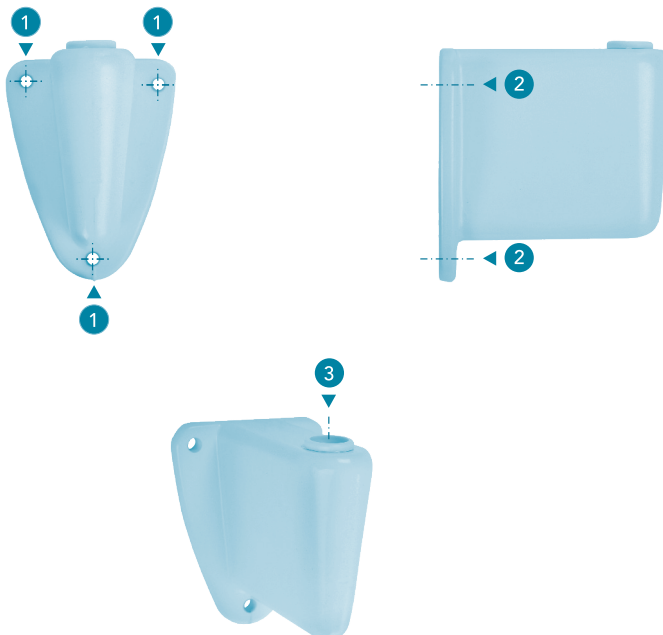
Check regularly that the unit is still stable in order to avoid the possibility of the lighting unit falling down.



The bracket is only designed to support the weight of the lamp. If additional weight is added, this may cause damage to the lighting unit and/or injury to the user.

Installation and assembly

- Check that the wall is sufficiently hard-wearing and flat.
- Use the bracket to mark the holes on the wall with the help of a pencil (1).
- Drill holes and put the plugs into the wall (1).
- Position the wall support, lining it up with the location of the holes (2).
- Tighten the screws until the assembly, the guide separator and the screw are firmly attached (2).
- Once the support is fixed and secure, position the lamp through the upper hole (3).



3.4 RAIL PLUS BRACKET

REF	MODEL	DESCRIPTION
82026	RAIL PLUS BRACKET	Bracket for mounting on an ICU rail.



Install the accessory without the lighting unit installed on it.

It is the customer's responsibility to ensure that the surface that it is attached to is secure and sufficiently strong.



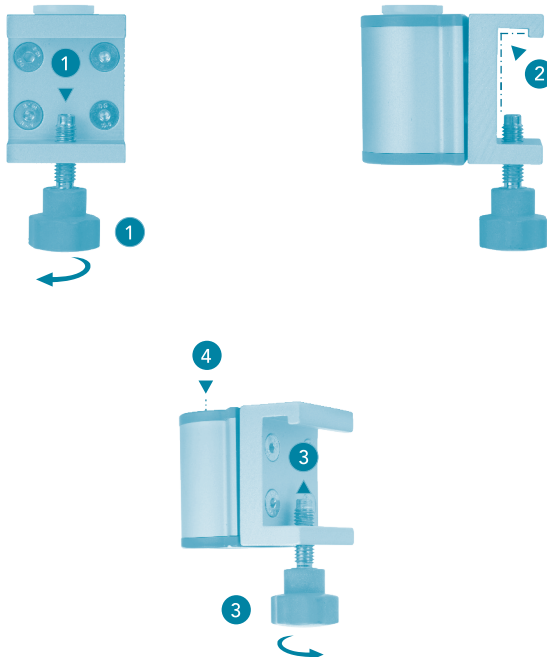
Check regularly that the unit is still stable in order to avoid the possibility of the lighting unit falling down.



The bracket is only designed to support the weight of the lamp. If additional weight is added, this may cause damage to the lighting unit and/or injury to the user.

Installation and assembly

- Loosen the adjustment screw via the wing screw (1).
- Fit the upper part of the support to the rail (2).
- The interior body of the support needs to be touching the rail (2).
- Tighten the wing screw until the support and the rail are firmly attached (3).
- Once the support is fixed and secure, position the lamp through the upper hole (4).



3.5 EXTENSION ARM

REF	MODEL	DESCRIPTION
B0101S0	EXTENSION ARM	Extension arm including Wall B Bracket. Provides an additional 40 cm, with horizontal rotation along both axes.



Install the accessory without the lighting unit installed on it.

It is the customer's responsibility to ensure that the surface that it is attached to is secure and sufficiently strong.



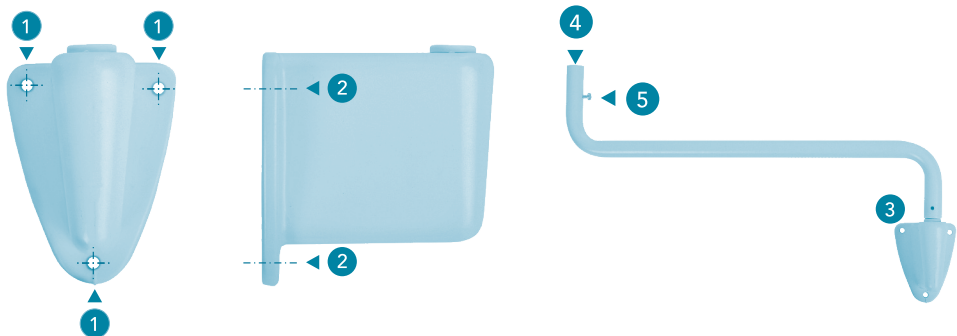
Check regularly that the unit is still stable in order to avoid the possibility of the lighting unit falling down.



The bracket is only designed to support the weight of the lamp. If additional weight is added, this may cause damage to the lighting unit and/or injury to the user.

Installation and assembly

- Check that the wall is sufficiently hard-wearing and flat.
- Use the bracket to mark the holes on the wall with the help of a pencil (1).
- Drill holes and put the plugs into the wall (1).
- Position the wall support, lining it up with the location of the holes (2).
- Tighten the screws until the assembly, the guide separator and the screw are firmly attached (2).
- Once the wall bracket is fixed and secure, position the end of the arm in the upper hole of the support (3).
- Insert the shaft of the luminaire into the hole located at the other end of the extension arm (4).
- Turn the extension arm's side screw in order to secure the luminaire (5).



3.6 CEILING SUPPORT

MODEL	DESCRIPTION
CEILING SUPPORT	Ceiling bracket included in the MS CEILING and MS CEILING PLUS models.
* Not compatible with MS LED, MS LED PLUS, MS FLEX and MS FLEX PLUS.	



Install the accessory without the lighting unit installed on it.

It is the customer's responsibility to ensure that the surface that it is attached to is secure and sufficiently strong.



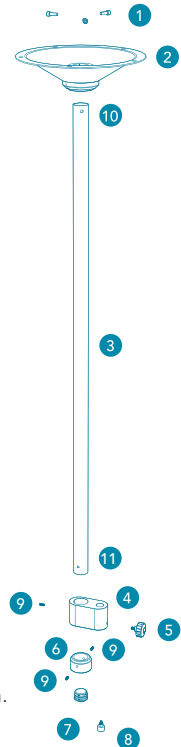
Check regularly that the unit is still stable in order to avoid the possibility of the lighting unit falling down.



The bracket is only designed to support the weight of the lamp. If additional weight is added, this may cause damage to the lighting unit and/or injury to the user.

1. Parts of the Ceiling Support

1. Pole fastening screws
2. Ceiling rose
3. Pole
4. Support
5. Support round head wing screw
6. Locking ring
7. Pole plug
8. Articulated arm wing screw
9. Fastening screws
10. Upper fastening holes (3)
11. Lower fastening holes (2)



2. Adjustment of measurements

The support tube can be adjusted to the desired measurement.

Optimum height of the lower part of the support estimated at 190 to 200cm.

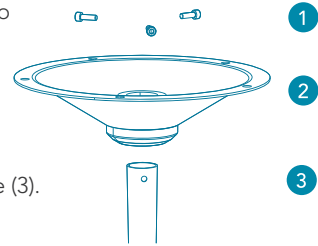
Recommended length according to height of ceiling:

CEILING HEIGHT	LENGTH OF SUPPORT
300 cm	100 cm
280 cm	80 cm
260 cm	60 cm
240 cm	40 cm

3. Cutting of pole

Instructions for cutting the mast to adapt the support length to the height of the ceiling:

1. Remove the 3 screws (1).
2. Take the pole out, separating it from part (2) .
3. Cut the pole to the desired measurement.
4. Make the three holes of the same measurement in the pole (3).
5. Assemble and insert screws.

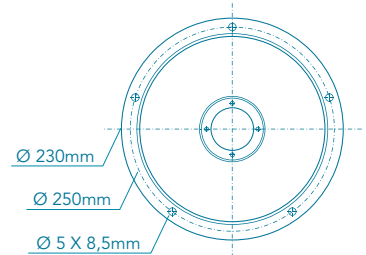


4. Attachment and anchorage

1. Position the support on the ceiling.
2. Mark the 5 support holes to install the attachment.

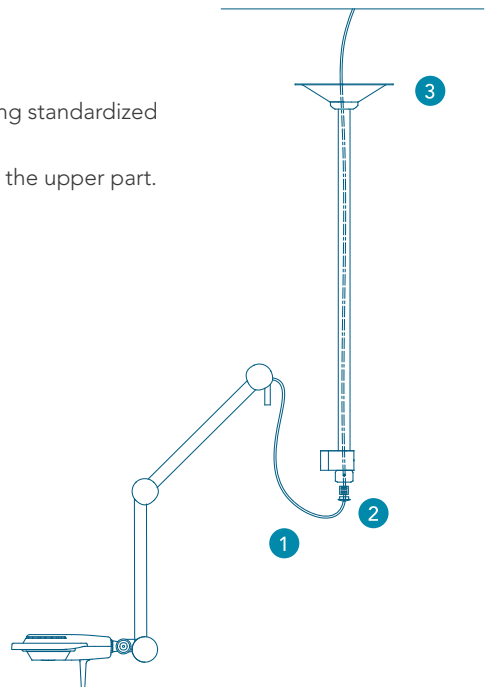


The attachment calculations shall be the responsibility of the Structures Technician.



5. Electrical connection

1. Insert the cable into the bottom of the pole.
(Cable protection according to regulations)
2. Connect the cable to the power network using standardized protected connectors.
3. Conceal the connectors inside the pole or in the upper part.



4. OPERATION OF THE LIGHTING UNIT

4.1 CHECK BEFORE EACH USE

1. Check if the unit is visibly deformed. If any deformities are detected, contact the Customer Support Department immediately.
2. Make sure the lamp is in the required hygienic conditions for use.
3. Always check the correct operation of the whole unit before turning it on. The unit must move in every degree of motion whilst verifying the main function and the control system.

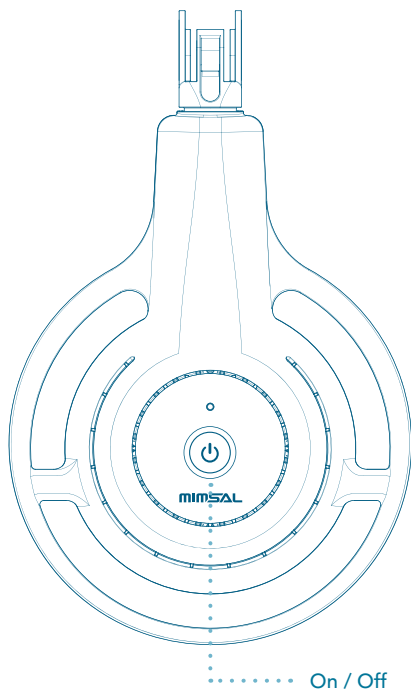


Do not use the unit if there are any doubts about its electrical safety or static and dynamic stability.

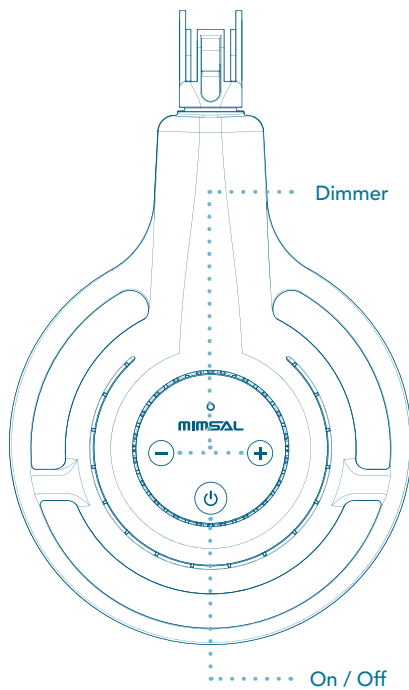
4.2 OPERATION OF THE LIGHTING UNIT HEAD

Lighting unit with simple and ergonomic operation for intuitive handling.

MS LED
MS FLEX
MS CEILING



MS LED PLUS
MS FLEX PLUS
MS CEILING PLUS



On/Off Version

45.000 lux at 50 cm

Switched on using the On / Off switch.

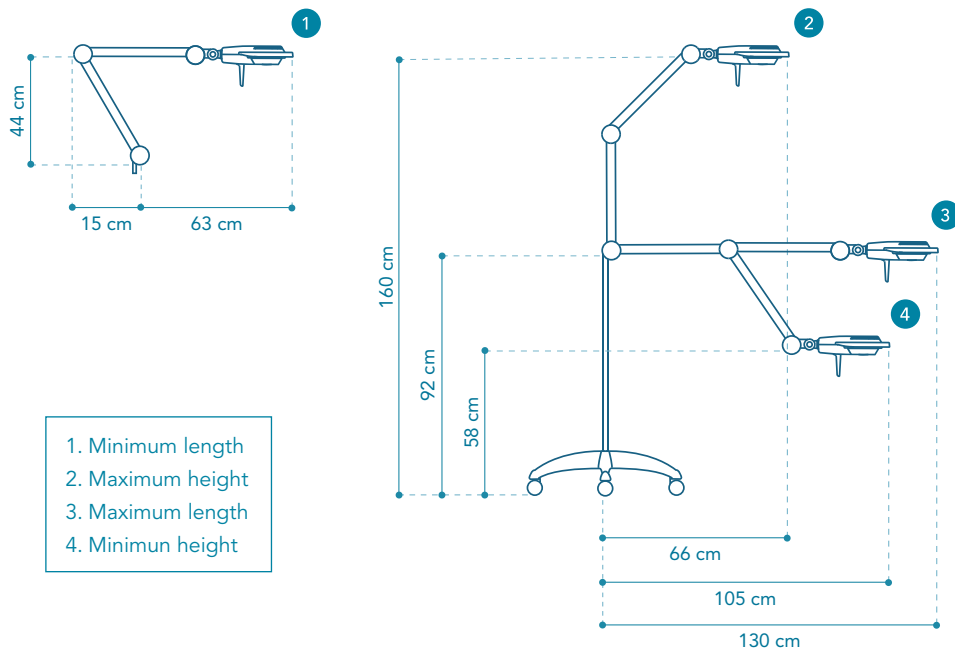
Adjustable light intensity version

65.000 lux at 50 cm

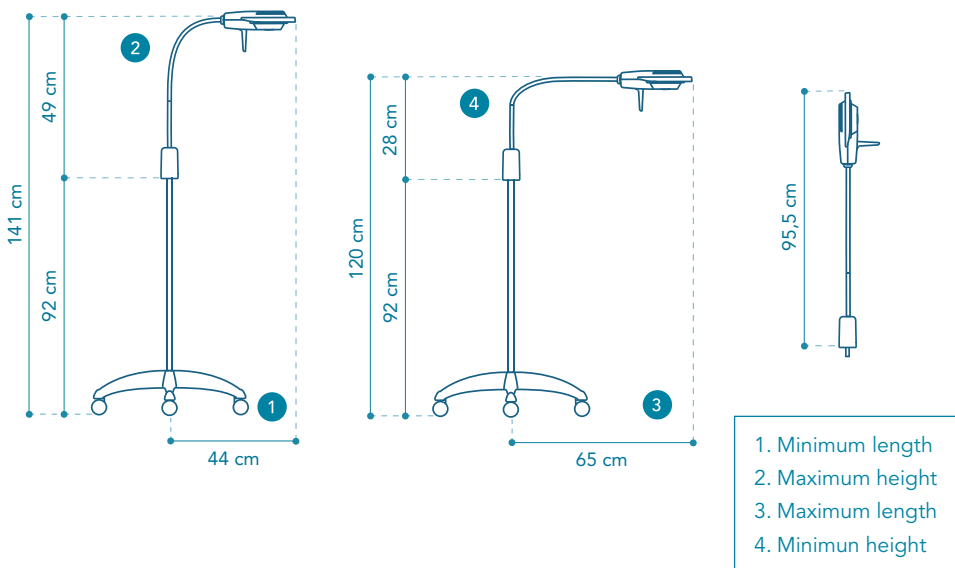
Switched on using the On/Off switch and regulated using the plus (+) and minus (-) buttons.

4.3 ARM MEASUREMENT DETAIL BY MS MODEL

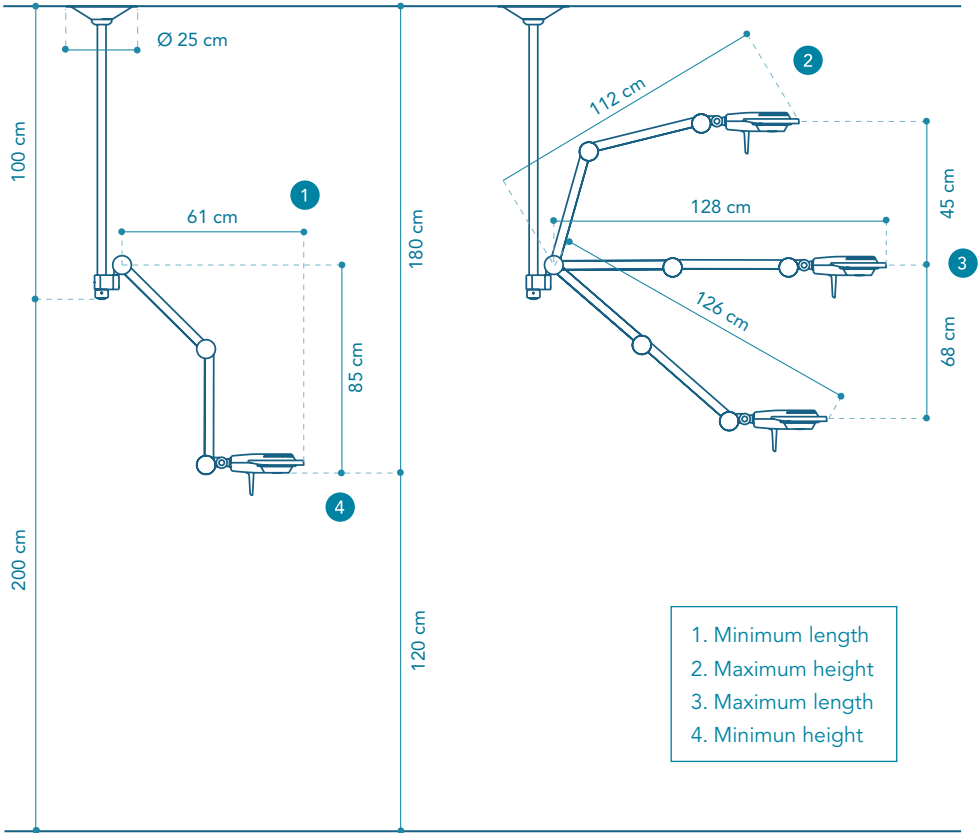
MS LED | MS LED PLUS



MS FLEX | MS FLEX PLUS



MS CEILING | MS CEILING PLUS



5. SAFETY FUNCTIONS

5.1 VOLTAGE DROP



In the event of a network voltage drop, the light will automatically switch off.

5.2 POWER CUTS



In the event of a total power cut, the light will switch off. As soon as voltage is reestablished on the network, it can be turned on again using the most recent established parameters.

5.3 ELECTRICAL MALFUNCTION



NOTE: In the event of this error, please contact the technical service.

6. CLEANING / DISINFECTION

6.1 GENERAL SAFETY INSTRUCTIONS

1. Disconnect the unit from the network before disinfecting it.
2. Never use an aerosol cleaner and/or disinfectant.
3. Do not spray liquid into sockets or slits on the unit or allow liquid to get into them.
4. Apply the cleaner by wetting a cloth, never by applying it directly to the device.



WARNING: ELECTRICAL SHOCK

The lighting units may transmit electricity and must be handled carefully during cleaning and disinfection.

6.2 CLEANING

SAFETY

Check the general safety instructions.

RECOMMENDED CLEANING

1. Use a mild soap solution as a cleaning agent.
2. Thoroughly clean the surfaces with a dampened cloth, adding a bit of mild soap solution if necessary.
3. Finally, thoroughly dry the exterior surface with a clean soft cloth (anti-static if necessary).



WARNING: RISK OF INFECTION AND CONTAMINATION OF PATIENTS

Solvents could corrode the plastics. Strong acids, alkalies, and agents that contain more than 60% alcohol could turn plastics brittle. Damaged parts could fall into open wounds.

6.3 DISINFECTION

SAFETY

Check the general safety instructions.

DISINFECTION PROCESS

The disinfection process is done using a cloth. The hygiene guidelines and safety measures for the disinfection processes to be used must be defined by the operator.

We recommend using MELISEPTOL disinfectant made by Braun Melsungen and/or "neoform MED rapid" made by Dr. Weigert. Follow all of the protection measures. Respect the manufacturer's instructions and follow the hygiene guidelines.



Disinfect surfaces every working day! Disinfect all of the affected surfaces immediately after any contamination by potentially infectious material (e.g.: blood, secretion or excrement).



Contact your hygiene specialist to coordinate the disinfectant and the proper procedures with your internal requirements! Always follow the internal disinfection plan!



WARNING: HEALTH HAZARD

Disinfectants may contain harmful substances that could injure the skin or eyes or damage respiratory organs if inhaled.

7. MAINTENANCE

Medical devices must undergo regular cycles of maintenance and review. This is fundamental for complying with safety measures.

See the reference in the IEC 62353 standard.

The medical device's manufacturer is responsible for defining the regular safety measures. The operator is responsible for implementing these measures.



NOTE: Always disconnect the device from the power source before doing any maintenance or inspection work to prevent the device from turning on involuntarily.

7.1 LIGHTING UNIT SUPPORT ARMS

All brackets must be checked by the operator for the following points:

- Every 6 months:
 1. Deformations of the bracket system.
 2. Cracks in plastic pieces.
 3. Damage to the paint.
- Every year:
 1. A detailed inspection of the bracket system, such as the clamping force of the spring arm, the fastening of the bracket etc.
 2. Extensive operational test, including the ease of movement of the joints.
 3. Electrical safety tests.

**WARNING: ELECTRICAL SHOCK**

Disconnect the unit from the power source during the whole of the checking process.

7.2 LIGHTING UNIT HEAD

The following inspections/maintenance must be carried out:

1. Check for any possible anomalies, cracks, deformations in plastic pieces and seals.
2. Carry out electrical safety tests.
3. Extended operational test.
4. Damage to the paint.

7.3 REPAIRS

The following indications must be followed:

- The product may only be opened and repaired by the manufacturer. Contact the Customer Support department if necessary.
- It is totally prohibited to modify the device in any way.

* (See Warranty Section).

7.4 ADJUSTMENTS

The product is sold fully calibrated and does not require any additional adjustments.

If the product becomes unstable over time and cannot maintain its position, please contact the Customer Support department.

7.5 TROUBLESHOOTING

Contact the Customer Support department in the following cases:

- The device does not operate.
- The product does not maintain its position.
- The light flashes.
- The light beam does not focus.

8. RECYCLING

After the useful life of the unit has come to an end, the device must be taken out of service and properly cleaned and disinfected for subsequent recycling. For its correct disposal, please contact an authorized recycling company.



NOTE: Do not dispose of the product with the usual domestic waste.



Take all the disinfection and/or sterilization measures before disposing of the device so as to not contaminate the environment.

9. TECHNICAL DATA

PHOTOMETRIC AND ELECTRICAL DATA	MS LED	MS LED PLUS	MS FLEX	MS FLEX PLUS	MS CEILING	MS CEILING PLUS
Light Source	LED 8W	LED 12W	LED 8W	LED 12W	LED 8W	LED 12W
Number of LEDs	4 LEDs					
Illumination at 50 cm	45.000 Lux	65.000 Lux	45.000 Lux	65.000 Lux	45.000 Lux	65.000 Lux
Ø Illuminated 50cm	13 cm					
IP	20					
Color temperature	4.500°K					
Color rendering	> 97%					
Useful life	50.000 h					
Protection Class	Class II					
Voltage	100/240 V					
Frequency	50/60 Hz					
Plugs available	A, B, F, G, I					
Dimmable	NO	YES	NO	YES	NO	YES

ENVIRONMENTAL CONDITIONS FOR OPERATION

Ambient temperature	10 °C a 40 °C
Relative Humidity (without condensation)	30% a 75%
Atmospheric Pressure	700hPa a 1060hPa

ENVIRONMENTAL CONDITIONS FOR STORAGE AND TRANSPORTATION

Ambient temperature	-25 °C a 70 °C
Relative Humidity (without condensation)	10% a 75%
Atmospheric Pressure	500hPa a 1060hPa

PHYSICAL CHARACTERISTICS	MS LED	MS LED PLUS	MS FLEX	MS FLEX PLUS	MS CEILING	MS CEILING PLUS
Box Dimensions	265 x 800 x 180 mm		210 x 1000 x 160/90 mm		260 x 250 x 1045 mm	
Gross Weight	3,64 kg	3,62 kg	2,70 kg	2,68 kg	6,18 kg	6,16 kg
Lighting unit Net Weight	2,28 kg	2,26 kg	1,86 kg	1,84 kg	5,44 kg	5,42 kg
Articulated Arm Length	900 mm (450 + 450)		N/A		1050 mm (530 + 520)	
Flexible Arm Length (Gooseneck)	N/A		700mm (580 Flexible + 120 Fixed)		N/A	
Ceiling Support Length	N/A		N/A		YES	

* continued on next page

PHYSICAL CHARACTERISTICS	MS LED	MS LED PLUS	MS FLEX	MS FLEX PLUS	MS CEILING	MS CEILING PLUS
Headlamps Dimensions	Ø Luminary 135mm, Length 230mm, Height 65mm (Ø with Handle 185mm, Height with Grip 140mm)					
Color	White					
LEDs Protector	YES					
Head Rotation	300°		360°		300°	

* All of the lighting units include the AH TABLE CLAMP accessory except MS CEILING and MS CEILING PLUS.

* The gross weight of the lighting unit includes the net weight of the AH TABLE CLAMP accessory except MS CEILING and MS CEILING PLUS.

REF	MODEL	GROSS WEIGHT	NET WEIGHT	BOX DIMENSIONS
B0101800	WALL B SUPPORT	0,25 KG	0,20 KG	91 x 221 x 122 mm
B010190	AH TABLE CLAMP	0,37 KG	0,29 KG	91 x 221 x 122 mm
82026	RAIL PLUS BRACKET	0,24 KG	0,19 KG	115 x 175 x 75 mm
09651	TROLLEY STAND 8,8 kg	9,18 KG	8,56 KG	160 x 160 x 780 mm
B010150	EXTENSION ARM	0,74 KG	0,56 KG	160 x 520 x 90 mm

10. ELECTROMAGNETIC EMISSIONS

All electronic devices for medical use must comply with the requirements of the IEC 60601-1-2 standard.

Likewise, it is mandatory to respect the precautions, the information in the Electromagnetic Compatibility (EMC) guide included in this manual and the verification of all medical devices in simultaneous operation to ensure the electromagnetic compatibility and the coexistence of all other medical devices before undertaking a surgical procedure.

MANUFACTURER DIRECTIVES AND DECLARATION – ELECTROMAGNETIC EMISSIONS

Our devices are designed to be used in an ELECTROMAGNETIC ENVIRONMENT as specified below. The user must ensure that the units can operate in that environment.

NOTA: Home health care settings have higher immunity requirements than professional medical care facilities. Therefore, the interference immunity requirements for professional medical care centers are included here.

EMISSIONS TESTS STANDARD BASIC EMC	COMPLIANCE	ELECTROMAGNETIC ENVIRONMENT
Conducted RF Emissions CISPR11	Group 1	The device only uses RF energy for its internal operations. Its RF emissions are therefore very low and are unlikely to cause interferences with nearby electronic equipment.
Radiated RF Emissions CISPR11	Class B	The device is suitable to be used in all establishments, including domestic establishments and those connected directly to the public low-voltage power mains that supply buildings used for domestic purposes.
Harmonic Distortion IEC (EN) 61000-3-2	Class A	
Voltage Fluctuations and Flashing IEC (EN) 61000-3-3		

MANUFACTURER DIRECTIVES AND DECLARATION – ELECTROMAGNETIC IMMUNITIES

Our devices are designed to be used in an ELECTROMAGNETIC ENVIRONMENT as specified below. The user must ensure that the units can operate in that environment.

NOTE: Home health care settings have higher immunity requirements than professional medical care facilities. Therefore, the interference immunity requirements for professional medical care centers are included here.

STANDARD BASIC EMC IMMUNITIES TEST	TEST LEVEL IEC 60601	COMPLIANCE	ELECTROMAGNETIC ENVIRONMENT
Electrostatic Discharge (ESD) IEC (EN) 61000-4-2	±8kV Contact ±15kV Air	±8kV Contact ±15kV Air	Floors must be made from wood, concrete or ceramic tiles. If the floors are covered in synthetic material, the relative humidity must be at least 30%.
Electrical Fast Transients (bursts) IEC (EN) 61000-4-4	±2kV for power lines ±1kV between phases	±2kV for power lines ±1kV between phases	The quality of the electrical supply network must be equivalent to that of a commercial or hospital setting.
Mains surge IEC (EN) 61000-4-5	±2kV between phases and earth ±1kV for input/output/earth lines	±2kV between phases and earth ±1kV for input/output/earth lines	The quality of the electrical supply network must be equivalent to that of a commercial or hospital setting.
Voltage Drops IEC (EN) 61000-4-11	0% UT (100% drop in UT); 0.5 cycles 40% UT (60% drop in UT); 10 cycles 0% UT (100% drop in UT); 5s	0% UT (100% drop in UT); 0.5 cycles 40% UT (60% drop in UT); 10 cycles 0% UT (100% drop in UT); 5s	The quality of the electrical supply network must be equivalent to that of a commercial or hospital setting. If the device user requires continued use during power cuts, we recommend powering the device with a different power source or battery.
Magnetic Field at Industrial Frequency IEC (EN) 61000-4-8	30 A/m	30 A/m	Magnetic fields at industrial frequency must be those of a typical hospital or commercial setting.
Radiated Radiofrequency IEC (EN) 61000-4-3	10 V/m 80MHz - 6GHz	10 V/m 80MHz - 6GHz	The distance between portable or mobile radiofrequency communication equipment and the device, including cables, must not be less than the recommended separation distance, which is calculated using the applicable equation for the transmitter frequency.
Conducted Radiofrequency IEC (EN) 61000-4-6	10V 150kHz - 100MHz	10V 150kHz - 100MHz	Recommended separation distance: $d = 1,2\sqrt{P}$; < 80MHz $d = 1,2\sqrt{P}$; de 80MHz - 800MHz $d = 2,3\sqrt{P}$; de 800MHz - 2,7GHz P is the maximum rated power output of the transmitter in watts (W) and d is the recommended separation distance in meters (m).

NOTE 1: UT is the AC network voltage before applying the test level.

NOTE 2: The upper frequency range is applied at 80MHz and 800MHz.

NOTE 3: These directives may not be applicable in all situations. Electromagnetic propagation is affected by the absorption and reflection of structures, objects and people.

11. WARRANTY

The Buyer must report any visible damage to the Products within a maximum of forty-eight (48) hours of receipt. After this time, MIMSAL will not be liable for the apparent damages the products may have and that have not been reported by Buyer.

MIMSAL offers a guarantee of five (5) years from delivery on any defects that the Products may have.

It will be understood that the Products have a defect when, without having suffered any damage after their delivery, they are not suitable for use or they have a quality or performance level that is inferior to that stated in their technical specifications. It will be up to the Buyer to prove that the Product is non-compliant.

To exercise the warranty, the Buyer must inform MIMSAL in writing by sending an email to mimsal@mimsal.com, indicating the defect, identifying the Product, the Batch number, the REF number of the purchase order and a photograph of the Product. This email must be sent within a maximum of ten (10) days of detecting the Product defect.

Upon receipt of this email, MIMSAL will try to see if it is possible to resolve the incident remotely, in which case it will respond to the Buyer with instructions on how to proceed or, conversely, if the Product must be sent to MIMSAL to be examined and, if necessary, repaired or replaced. The shipment of Products (including disassembly, transport, taxes, etc.) will be at the expense of the Buyer.

The warranty will consist of the repair or replacement of the Products, its elements and/or installation that are defective or deficient, or a refund for the amount of the price at MIMSAL's discretion.

The warranty granted to the Buyer by MIMSAL will not be applicable in the following cases:

- When the Products have not been used, stored, conserved, installed, handled, etc. in accordance with the instructions given by MIMSAL.
- When the Products have been manipulated, altered or modified by third parties.
- When the origin of the defects is not due to issues related to their manufacture or defects in the quality of their components.
- In the case of damage and/or defects suffered due to wear and tear from normal use of the Products.

The defective Products and/or materials that have been replaced by others will remain the property of MIMSAL. The warranty established in this clause is exclusive and replaces all other warranties related to the Products.

12. INDUSTRIAL AND INTELLECTUAL PROPERTY

All of the industrial and intellectual property rights relating to the Products, as well as the designs, texts, labeling, images, graphics, brands, technical documentation, manuals, etc., are the exclusive property of MIMSAL and the Buyer acknowledges and accepts this. In any case, these rights are protected by the regulations governing intellectual and industrial property, meaning it is forbidden to reproduce, modify, distribute and/or manipulate them.

Also, the Buyer will collaborate with MIMSAL in the maintenance of said intellectual and industrial property rights, immediately notifying MIMSAL of any action or circumstance that may infringe them and refraining from carrying out such actions.

The Buyer is obliged to abstain from registering in their name or in the name of third parties, brands or trademarks that are identical or similar to those used by MIMSAL or that could cause confusion for customers regarding the identity or character of MIMSAL or of the Products.

It is expressly forbidden to use the Products or any element of Industrial or Intellectual Property related to the Products that are the property of MIMSAL in such a way that may constitute a violation of the rights protected by law and specifically by any applicable legislation on Industrial and Intellectual Property.

MIMSAL reserves all actions that may protect it in the defense of its interests and rights.

13. CONFIDENTIALITY

All of the industrial and intellectual property rights relating to the Products, as well as the designs, texts, labeling, images, graphics, brands, technical documentation, manuals, etc., are the exclusive property of MIMSAL and the Buyer acknowledges and accepts this. In any case, these rights are protected by the regulations governing intellectual and industrial property, meaning it is forbidden to reproduce, modify, distribute and/or manipulate them.

14. DECLARATION OF CONFORMITY

MD

MIMSAL

n° 2102

DECLARACIÓN UE DE CONFORMIDAD

EU DECLARATION OF CONFORMITY

FABRICANTE PRODUCTO
PRODUCT MANUFACTURER

Dirección
Address

MIMSAL TRADE S.L.

C. Mollet 17, Polígono Industrial Palou Nord
08401 Granollers (Barcelona)
Spain

DECLARAN BAJO SU RESPONSABILIDAD QUE EL PRODUCTO
DECLARE UNDER THEIR RESPONSIBILITY THAT THE PRODUCT

Nombre del producto - BASIC UDI-DI
Product name - BASIC UDI-DI

MS 843656286MSZJ

Tipo
Type

LÁMPARA DE RECONOCIMIENTO
EXAMINATION LAMP

Referencia - Modelo - UDI-DI
Reference - Model - UDI-DI

M187001C - MS CEILING PLUS - 8436562860493
M183500C - MS CEILING - 8436562860486
M187001 - MS LED PLUS - 8436562860394
M183500 - MS LED - 8436562860387
M187001FL - MS FLEX PLUS - 8436562860431
M183500FL - MS FLEX - 8436562860424

Finalidad prevista
Intended purpose

Dispositivo para iluminar el lugar de exploración del paciente
Device intended to provide light to illuminate a site of patient examination

CUMPLE LOS REQUISITOS DEL REGLAMENTO (UE) 2017/745 SOBRE PRODUCTOS SANITARIOS
COMPLIES WITH THE REQUIREMENTS OF REGULATION (EU) 2017/745 ON MEDICAL DEVICES

Clasificación producto sanitario
Medical device classification

CE CLASE I - REGLA I
Class I - Rule I

Ensayos y medidas - Normas
Test and measurements - Standards

UNE-EN 60601-1:2008+/A12:2015 Part 1 Medical equipments
UNE-EN 60601-1-2:2015 Part 2 Medical equipments
UNE-EN 60601-2-41:2010+A11:2012+A1:2015

Accesorios
Accessories

B0101800 - WALL B SUPPORT 09651 - TROLLEY STAND 8,8 kg
B010190 - AH TABLE CLAMP B010150 - EXTENSION ARM
82026 - RAIL PLUS BRACKET

Lugar y fecha
Location and date

Granollers (Barcelona) España, a 11 de FEBRERO de 2022
Granollers (Barcelona) Spain, February 11th, 2022

Nombre y cargo
Name and position



Xavier Codina Jané
Director General
General Manager



Oriol Codina Miró
Responsable Técnico
Technical Manager

15. CERTIFICATE ISO 9001



MANAGEMENT SYSTEM CERTIFICATE

Certificate no.:
283445-2019-AQ-IBE-ENAC

Initial certification date:
20 April 2016

Valid:
21 April 2022 – 20 April 2025

This is to certify that the management system of

MIMSAL TRADE, S.L.

Calla Mollet 17, Pol. Ind Palou Nord, 08401, Granollers, Barcelona, Spain

has been found to conform to the Quality Management System standard:

ISO 9001:2015

This certificate is valid for the following scope:

Manufacturing and distribution of medical devices for the lighting market.

Place and date:
Barcelona, 28 February 2022

For the issuing office:
DNV - Business Assurance
Gran Via de les Corts Catalanes 130-136, Pl. 9,
08038, Barcelona, Spain



Ana del Rio Salgado
Management Representative

Lack of fulfillment of conditions as set out in the Certification Agreement may render this Certificate invalid.

ACCREDITED UNIT: DNV GL Business Assurance España, S.L.U., Gran Via de les Corts Catalanes 130-136, Pl. 9, 08038 Barcelona, Spain - TEL: +34 93 479 26 00.
www.dnv.es/assurance

16. CERTIFICATE ISO 13485



MANAGEMENT SYSTEM CERTIFICATE

Certificate no.:
283446-2019-AQ-IBE-ACCREDIA

Initial certification date:
27 December 2017

Valid:
09 February 2022 – 08 February 2025

This is to certify that the management system of
MIMSAL TRADE, S.L.
 Calla Mollet 17, Pol. Ind Palou Nord, 08401, Granollers, Barcelona, Spain

has been found to conform to the Quality Management System standard:
ISO 13485:2016

This certificate is valid for the following scope:
**Design, management of production and placing on the market of medical devices (lamps)
 for the lighting healthcare market.**

Place and date:
Vimercate (MB), 02 February 2022



SGQ N° 003 A
 SGA N° 003 D
 SQE N° 007 M
 SGR N° 004 F

EMAS N° 009 P
 PRD N° 003 B
 PRS N° 004 C
 SSI N° 002 G

Member of MIA EA per gli schemi di accreditamento
 SQQ, SGA, PRD, PRS, ISR, GHG, LAB, e LAT, di MIA IAF
 per gli schemi di accreditamento SQQ, SGA, SSI, FSM
 e PRD e di MIA ILAC per gli schemi di accreditamento
 LAB, MED, LAT e ISP

For the issuing office:
DNV - Business Assurance
 Via Energy Park, 14, - 20871 Vimercate (MB) -
 Italy

Claudia Baroncini
 Management Representative

Link of fulfillment of conditions as set out in the Certification Agreement may render this Certificate invalid.

ACCREDITED UNIT: DNV Business Assurance Italy S.r.l., Via Energy Park, 14 - 20871 Vimercate (MB) - Italy - TEL: +39 68 99 905. www.dnv.it

The logo for MIMSAL, featuring the word "MIMSAL" in a bold, blue, sans-serif font. The letters are closely spaced, and the "M" and "S" have a distinctive, slightly slanted design.

MIMSAL TRADE S.L.

C/ Mollet, 17
Polígono Industrial Palou Nord
08401 – Granollers (Barcelona) SPAIN

Tel. +34 930 139 860

mimsal@mimsal.com
www.mimsal.com

F3P30
Rev. 01
20.06.2022