

## HEIGHT ADJUST. ELECTRIC BED

Compartments for patient lift bar and IV probe

4 containing sector side rails, made in technopolymer, and single collapsible



Bed weight 150 kg

4 castors Ø 150 mm with central brake system with directional control

Moulded removable head and foot boards with integrated handle useful for movements

### • 44800 HEIGHT ADJUSTABLE ELECTRIC BED

3 joint, 4 section Hospital bed, with electronic adjustment of height and platform, Trendelenburg and Reverse Trendelenburg positions (15°). All steel components are epoxy-coated with anti-microbial additive. Back section regulation using electric actuators with anti-crushing and rototranslation function to avoid abdominal crushing. Both bed sides have CPR manual levers for emergency manoeuvres.

Foot rest adjustment by click mechanisms allowing 6 positions. Internal side rails controls for patient use and caregiver.

Remote control to maintain position or disable by magnetic key. The keypad allows adjustment of backrest, bed surface height, legs and foot rest, comfort position, Trendel and reverse Trendel.

### • 44801 LIFTING POLE

### • 44802 IV POLE

### • 44803 FLAME RETARDANT MATTRESS with waterproof cover Load 280 kg. Density 35 kg/m<sup>2</sup>. Size 85x195x18 cm.

#### TECHNICAL SPECIFICATIONS

Minimum/maximum height surface: 380-780 mm  
 Maximum backrest regulation: 70°  
 Maximum leg/foot height regulation: 30°  
 Trendelenburg/reverse trendelenburg: 15°  
 Minimum/maximum height: 835-1235 mm  
 Maximum total width/length: 1010/2260 mm (bumpers and siderails included)  
 Worksurface width/length dimension 880/2000 mm  
 Power supply: 220 V - 50 Hz Dynamic lift capacity: 230 kg SWL: 270 kg  
 IEC protection class: I / B IP code (protection rating): IP66 Made in Italy

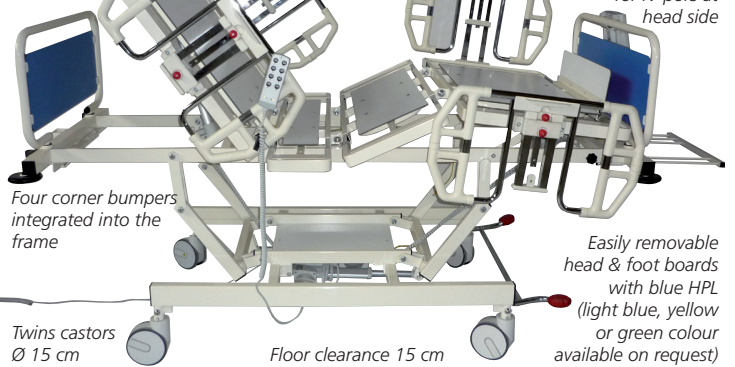
## BARIATRIC ELECTRIC BED

Sections, height, TR and RTR electric adjustments

4 multi position and removable siderails, colour co-ordinated to bed frame

**LOAD 400 kg**

Two sockets for IV pole at head side



Four corner bumpers integrated into the frame

Twins castors Ø 15 cm

Floor clearance 15 cm

Easily removable head & foot boards with blue HPL (light blue, yellow or green colour available on request)

### • 27636 EXTENDABLE BARIATRIC BED - electric, 4 sections

Four section electrically driven bed frame in durable steel construction with adjustable height and TR-RTR. Made in Italy.

- Trendelenburg 18° and Reverse Trendelenburg 18°

- mattress platform positioning: backrest 0°-54°, legrest 0°-24°

- manual handset with locking key+supervisor to adjust sections

- electric CPR function

- armchair position with excellent comfort

- carer controlled lock out function for all controls

- battery backup

- central braking system with a three position pedal on foot side for greater control: steering / swivelling / braking

### • 27638 LIFTING POLE with integrated IV hooks

### • 27639 RETRACTABLE BLANKET TRAY

### • 27640 IV POLE

### • 44810 FLAME RETARDANT BARIATRIC MATTRESS - 4 pieces with waterproof transparent cover. Load 300 kg. Density 40 kg/m<sup>2</sup>. Size 90x200x18 cm (2 sides 15x200x18, 1 foot 15x120x18)

#### TECHNICAL SPECIFICATIONS

Bed upper frame dimensions: - fully retracted - 226x100 cm (bumpers included)  
 - fully extended - 242x128 cm (siderails included)  
 Mattress platform adjustments: - fully retracted - 200x90 cm  
 - intermediate position - 200x105 cm  
 - fully extended - 200x120 cm  
 - foot extension - from 200 to 216 cm  
 Lowest-Highest position: 41-81 cm  
 Bed weight: 175 kg Load capacity: 400 kg  
 Electrical shock protection: Class 1 Liquid ingress protection: IP 66

## HYDRAULIC AND ELECTRICAL LIFTERS



Sling support min h 82 cm max h 177 cm

Maximum load 200 kg

27757

27767

27753

Adjustable base 63-105 cm

Length 134 cm



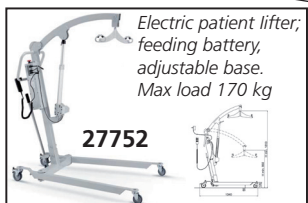
Weight 50 kg

27749

Sling support min h 104 cm max h 188 cm

Adjustable base 63-105 cm

Length 134 cm



Electric patient lifter; feeding battery, adjustable base. Max load 170 kg

27752

with independent brake and 2 front castors Ø 80 mm. Equipped with tetraplegic sling (27767). Made in Italy.

### • 27752 ELECTRICAL LIFTER 170 - max load 170 kg

### • 27753 ELECTRICAL LIFTER 200 - max load 200 kg

Same as code 27749 but with electrical controls.

Up and down movements through an electric motor

24V D.C. and push button. Battery fed with current transformer with an emergency push-button for the immediate stop of the movement and free up/down piston-stroke. Supplied with universal sling (27752) or tetraplegic sling (27753).

### • 27757 UNIVERSAL SLING - spare - load 170 kg

### • 27767 TETRAPLEGIC SLING - spare - load 200 kg

Made of polypropylene, anti-allergic, non toxic, washable.

## LIFTING STAND



27645

### • 27645 LIFTING STAND

Tubular painted steel frame with adjustable chromed steel joint. Can be fully disassembled to reduce size. Three main height adjustments. Triangle hangs from belt with adjustable length.