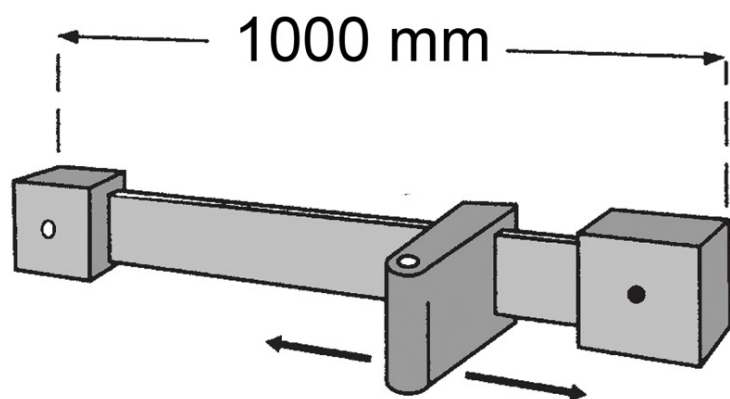


# RAIL CONNECTION WITH CLAMP



Product Code 30775

Unit of sale 1 pc

Minimum order 1

Type No medical device

Class

UK-REP Not required

CH-REP Not required

EAN/UPC 8023279307757

## Description

Rail connection with clamp