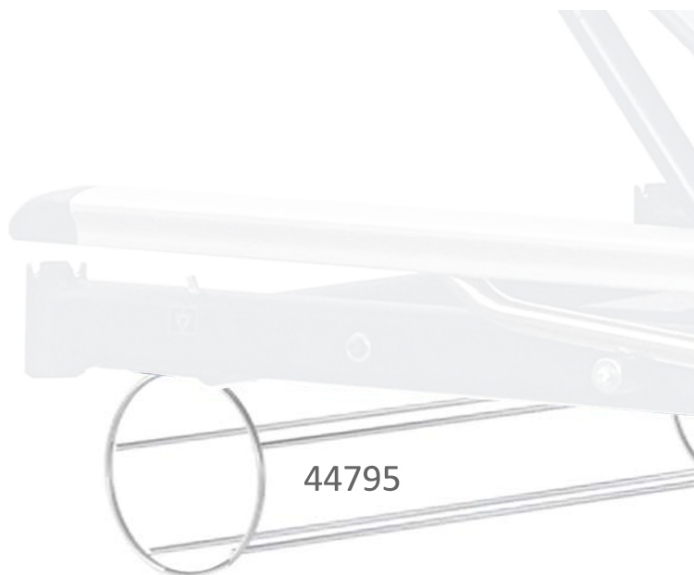


# OXYGEN BOTTLE HOLDER for 44790, 44792



Product Code	44795
Unit of sale	1 pc
Minimum order	1
Type	Medical device
Class	I

RDM (NSIS)	2322219
CND	V0899
EAN/UPC	8023279447958

## Description

OXYGEN BOTTLE HOLDER - optional