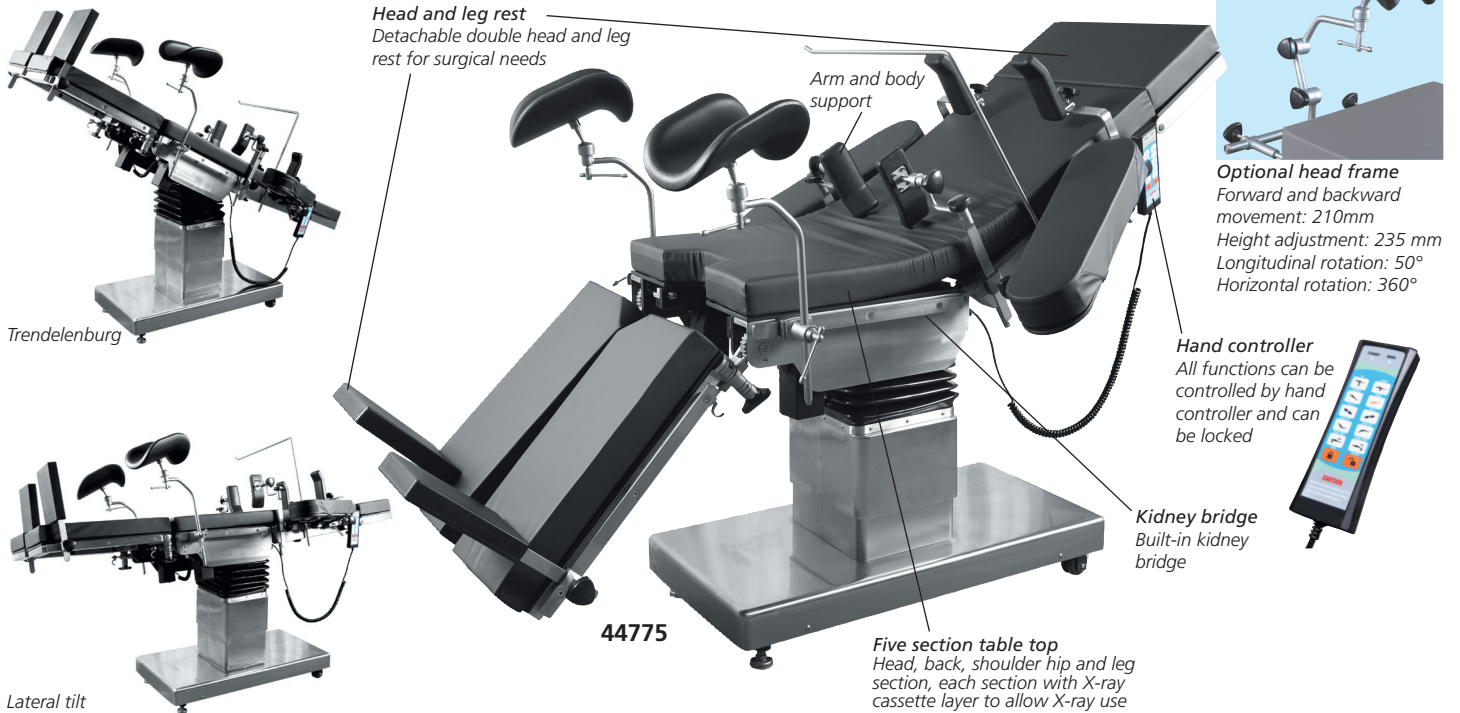


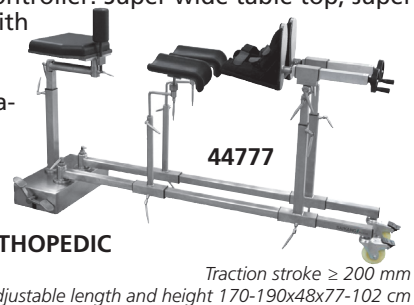
ELECTRIC OPERATING TABLE WITH TR AND RTR



• **44775 ELECTRIC OPERATING TABLE with TR and RTR**
 Electric operating table for general surgical procedures, mainly made of 304 stainless steel. It is driven by low-voltage DC motor with safe and stable performance. Table movements can be controlled by means of an easy-to-use hand controller. Super wide table top, super long sliding distance. Leg rest with integrated gas spring for easy control. Suitable for X-ray and C-arm surgery thanks to an extra-long horizontal sliding.
 Max. load: 200 kg.

• **44776 OPERATING HEAD FRAME - optional**

• **44777 MULTI-FUNCTIONAL ORTHOPEDIC FRAME - optional**



TECHNICAL SPECIFICATIONS	
Size:	210x50xh 80-100 cm
Max. load:	200 kg
Trendelenburg:	0-25°
Reverse Trendelenburg:	0-22°
Lateral tilt (left/right):	0-20°
Head rest (up/down):	0-45°/0-90°
Back plate (up/down):	0-75°/0-20°
Foot plate (up/down):	0-15°/0-90°
Foot plate horizontal positioning:	0-90°
Horizontal sliding:	30 cm
Kidney bridge elevation:	11 cm
Voltage:	110-220 V, 50/60 Hz
Power capacity:	1.0 Kw

STANDARD ACCESSORIES	
Mattress	2 leg supports with cushion
1 anesthesia screen frame	2 foot supports with cushion
2 shoulder holders with cushion	1 kidney bridge handle
2 arm holders with cushion	1 IV stand

INOX WORKING TABLE



• **27909 INOX WORKING TABLE**
 Working table, equipped with two drawers (47x30x12 cm) each side, to work on both sides. Stainless steel AISI 304 frame, structure made of square tubular, table top and lower shelf made of smooth stainless steel. Mounted on 4 castors Ø 100 mm, two with brakes. Size 120x70xh 95 cm. Weight 50 kg. Max load (x shelf): 40 kg. Delivered in kit form 122x35x72 cm

OPERATING THEATRE INSTRUMENT TABLES



• **27913 INSTRUMENT TABLE 2 SHELVES**
 Operating room instruments table made of stainless steel AISI 304 scotch brite finish. 125 mm Ø revolving castors (2 with brake). Weight: 28 kg. Load for shelf: 40 kg. Size: 120x65xh 95 cm. Delivered in kit form (123x13x68 cm).



• **27914 INSTRUMENT TABLE 1 SHELF**
 Operating room instruments table made of stainless steel AISI 304, scotch brite finish. 125 mm Ø revolving castors (2 with brake). Weight: 21 kg. Load: 40 kg. Size: 120x65xh 95 cm. Delivered in kit form (123x13x68 cm).